

**INTERIM INTERCONNECTION SERVICE AGREEMENT**

**By and Among  
PJM Interconnection, L.L.C.  
and**

**Elk Hill Solar 1, LLC  
and**

**West Penn Power Company**

**(PJM Queue Position #AD1-061)**

- 1.0 This Interim Interconnection Service Agreement (“Interim ISA”), including the Specifications attached hereto and incorporated herein, is entered into by and among PJM Interconnection, L.L.C. (“Transmission Provider” or “PJM”), Elk Hill Solar 1, LLC (“Interconnection Customer”), and West Penn Power Company (“Interconnected Transmission Owner” or “West Penn”).
- 2.0 Attached are Specifications for the Customer Facility that Interconnection Customer proposes to interconnect to the Transmission Provider’s Transmission System. Interconnection Customer represents and warrants that, upon completion of their construction, it will own or control the facilities identified in the Specifications attached hereto and made a part hereof. In the event that Interconnection Customer will not own the facilities, Interconnection Customer represents and warrants that it is authorized by the owners of such facilities to enter into this Interim ISA and to represent such control.
- 3.0 In order to advance the completion of its interconnection under the PJM Open Access Transmission Tariff (“Tariff”), Interconnection Customer has requested an Interim ISA and Transmission Provider has determined that Interconnection Customer is eligible under the Tariff to obtain this Interim ISA.
- 4.0 (a) In accord with Section 211 of the Tariff, Interconnection Customer, on or before the effective date of this Interim ISA, shall provide Transmission Provider (for the benefit of the Interconnected Transmission Owner) with a letter of credit from an agreed provider or other form of security reasonably acceptable to Transmission Provider in the amount of \$ 513,300, which amount equals the estimated costs, determined in accordance with Section 217 of the Tariff, of acquiring, designing, constructing and/or installing the facilities described in section 3.0 of the Attached Specifications. Should Interconnection Customer fail to provide such security in the amount or form required, this Interim ISA shall be terminated. Interconnection Customer acknowledges (1) that it will be responsible for the actual costs of the facilities described in the Specifications, whether greater or lesser than the amount of the payment security provided under this section, and (2) that the payment security under this section does not include any additional amounts

that it will owe in the event that it executes a final Interconnection Service Agreement, as described in section 7.0(a) below.

(b) Interconnection Customer acknowledges (1) that the purpose of this Interim ISA is to expedite, at Interconnection Customer's request, the acquisition, design, construction and/or installation of certain materials and equipment, as described in the Specifications, necessary to interconnect its proposed facilities with Transmission Provider's Transmission System; and (2) that Transmission Provider's Interconnection Studies related to such facilities have not been completed, but that the System Impact Study, dated November 2018, that included Interconnection Customer's project sufficiently demonstrated, in Interconnection Customer's sole opinion, the necessity of facilities additions to the Transmission System to accommodate Interconnection Customer's project to warrant, in Interconnection Customer's sole judgment, its request that the Interconnected Transmission Owner acquire, design, construct and/or install the equipment indicated in the Specifications for use in interconnecting Interconnection Customer's project with the Transmission System.

5.0 This Interim ISA shall be effective on the date it is executed by all Interconnection Parties and shall terminate upon the execution and delivery by Interconnection Customer and Transmission Provider of the final Interconnection Service Agreement described in section 7.0(a) below, or on such other date as mutually agreed upon by the parties, unless earlier terminated in accordance with the Tariff.

6.0 In addition to the milestones stated in Section 212.5 of the Tariff, during the term of this Interim ISA, Interconnection Customer shall ensure that its generation project meets each of the following development milestones:

**MILESTONE REQUIREMENTS WILL BE SPECIFIED IN THE FURTHER INTERCONNECTION SERVICE AGREEMENT DESCRIBED IN SECTION 7.0(a)**

7.0 (a) Transmission Provider and the Interconnected Transmission Owner agree to provide for the acquisition, design, construction and/or installation of the facilities identified, and to the extent described, in Section 3.0 of the Specifications in accordance with Part IV of the Tariff, as amended from time to time, and this Interim ISA. Except to the extent for which the Specifications provide for interim interconnection rights for the Interconnection Customer, the parties agree that (1) this Interim ISA shall not provide for or authorize Interconnection Service for the Interconnection Customer, and (2) Interconnection Service will commence only after Interconnection Customer has entered into a final Interconnection Service Agreement with Transmission Provider and the Interconnection Transmission Owner (or, alternatively, has exercised its right to initiate dispute resolution or to have the final Interconnection Service Agreement filed with the FERC unexecuted) after completion of the Facilities Study related to Interconnection Customer's Interconnection Request and otherwise in accordance with the Tariff. The final Interconnection Service Agreement may further provide for construction of, and payment for, transmission facilities additional to those identified in the attached Specifications. Should Interconnection Customer fail to enter into such final Interconnection Service Agreement (or, alternatively, to initiate dispute resolution or

request that the agreement be filed with the FERC unexecuted) within the time prescribed by the Tariff, Transmission Provider shall have the right, upon providing written notice to Interconnection Customer, to terminate this Interim ISA.

(b) In the event that Interconnection Customer decides not to interconnect its proposed facilities, as described in Section 1.0 of the Specifications to the Transmission System, it shall immediately give Transmission Provider written notice of its determination. Interconnection Customer shall be responsible for the Costs incurred pursuant to this Interim ISA by Transmission Provider and/or by the Interconnected Transmission Owner (1) on or before the date of such notice, and (2) after the date of such notice, if the costs could not reasonably be avoided despite, or were incurred by reason of, Interconnection Customer's determination not to interconnect. Interconnection Customer's liability under the preceding sentence shall include all Cancellation Costs in connection with the acquisition, design, construction and/or installation of the facilities described in section 3.0 of the Specifications. In the event the Interconnected Transmission Owner incurs Cancellation Costs, it shall provide the Transmission Provider, with a copy to the Interconnection Customer, with a written demand for payment and with reasonable documentation of such Cancellation Costs. Within 60 days after the date of Interconnection Customer's notice, Transmission Provider shall provide an accounting of, and the appropriate party shall make any payment to the other that is necessary to resolve, any difference between (i) Interconnection Customer's cost responsibility under this Interim ISA and the Tariff for Costs, including Cancellation Costs, of the facilities described in section 3.0 of the Specifications and (ii) Interconnection Customer's previous payments under this Interim ISA. Notwithstanding the foregoing, however, Transmission Provider shall not be obligated to make any payment that the preceding sentence requires it to make unless and until the Interconnected Transmission Owner has returned to it the portion of Interconnection Customer's previous payments that Transmission Provider must pay under that sentence. This Interim ISA shall be deemed to be terminated upon completion of all payments required under this paragraph (b).


(c) Disposition of the facilities related to this Interim ISA after receipt of Interconnection Customer's notice of its determination not to interconnect shall be decided in accordance with Section 211.1 of the Tariff.


8.0 Interconnection Customer agrees to abide by all rules and procedures pertaining to generation in the PJM Region, including but not limited to the rules and procedures concerning the dispatch of generation set forth in the Operating Agreement and the PJM Manuals.


9.0 In analyzing and preparing the Facilities Study or the System Impact Study if no Facilities Study is required, and in designing and constructing the Attachment Facilities, Local Upgrades and/or Network Upgrades described in the Specifications attached to this Interim ISA, Transmission Provider, the Interconnected Transmission Owner(s), and any other subcontractors employed by Transmission Provider have had to, and shall have to, rely on information provided by Interconnection Customer and possibly by third parties and may not have control over the accuracy of such information. Accordingly,

NEITHER TRANSMISSION PROVIDER, THE INTERCONNECTED TRANSMISSION OWNER(S), NOR ANY OTHER SUBCONTRACTORS EMPLOYED BY TRANSMISSION PROVIDER OR INTERCONNECTED TRANSMISSION OWNER MAKES ANY WARRANTIES, EXPRESS OR IMPLIED, WHETHER ARISING BY OPERATION OF LAW, COURSE OF PERFORMANCE OR DEALING, CUSTOM, USAGE IN THE TRADE OR PROFESSION, OR OTHERWISE, INCLUDING WITHOUT LIMITATION IMPLIED WARRANTIES OF MERCHANTABILITY AND FITNESS FOR A PARTICULAR PURPOSE, WITH REGARD TO THE ACCURACY, CONTENT, OR CONCLUSIONS OF THE FACILITIES STUDY OR THE SYSTEM IMPACT STUDY IF NO FACILITIES STUDY IS REQUIRED OR OF THE ATTACHMENT FACILITIES, LOCAL UPGRADES AND/OR NETWORK UPGRADES, PROVIDED, HOWEVER, that Transmission Provider warrants that the transmission facilities described in Section 3.0 of the Specifications will be designed, constructed and operated in accordance with Good Utility Practice, as such term is defined in the Operating Agreement. Interconnection Customer acknowledges that it has not relied on any representations or warranties not specifically set forth herein and that no such representations or warranties have formed the basis of its bargain hereunder.

10.0 Within 120 days after the Interconnected Transmission Owner completes acquisition, design, construction and/or installation of the facilities described in Section 3.0 of the Specifications, Transmission Provider shall provide Interconnection Customer with an accounting of, and the appropriate party shall make any payment to the other that is necessary to resolve, any difference between (a) Interconnection Customer's responsibility under this Interim ISA and the Tariff for the actual cost of such equipment, and (b) Interconnection Customer's previous aggregate payments to Transmission Provider and the Interconnected Transmission Owner hereunder. Notwithstanding the foregoing, however, Transmission Provider shall not be obligated to make any payment that the preceding sentence requires it to make unless and until the Interconnected Transmission Owner has returned to it the portion of Interconnection Customer's previous payments that Transmission Provider must pay under that sentence.

<sup>DS</sup>  
 11.0 No third party beneficiary rights are created under this Interim ISA, provided, however, that payment obligations imposed on Interconnection Customer hereunder are agreed and acknowledged to be for the benefit of the Interconnected Transmission Owner actually performing the services associated with the interconnection of the Generating Facilities and any associated upgrades of other facilities.

<sup>DS</sup>  
 12.0 No waiver by either party of one or more defaults by the other in performance of any of the provisions of this Interim ISA shall operate or be construed as a waiver of any other or further default or defaults, whether of a like or different character.

<sup>DS</sup>  
 13.0 This Interim ISA or any part thereof, may not be amended, modified, assigned, or waived other than by a writing signed by all parties hereto.

14.0 This Interim ISA shall be binding upon the parties hereto, their heirs, executors, administrators, successors, and assigns.

- 15.0 This Interim ISA shall not be construed as an application for service under Part II or Part III of the Tariff.
- 16.0 Any notice or request made to or by either Party regarding this Interim ISA shall be made to the representative of the other Party as indicated below.

**Transmission Provider**

PJM Interconnection, L.L.C.  
2750 Monroe Blvd.  
Audubon, PA 19403

**Interconnection Customer**

Elk Hill Solar 1, LLC  
400 Montgomery Street, 8<sup>th</sup> Floor  
San Francisco, CA 94104  
Attn: Legal Notices  
[legalnoticesus@lightsourcebp.com](mailto:legalnoticesus@lightsourcebp.com)

With a copy to:  
Lightsource Renewable Energy Asset Management, LLC  
400 Montgomery St., 8<sup>th</sup> Floor  
San Francisco, CA 94104  
Attn: Asset Management  
[assetmgtus@lightsourcebp.com](mailto:assetmgtus@lightsourcebp.com)

**Interconnected Transmission Owner**

West Penn Power Company  
76 South Main Street  
A-GO-10  
Akron, OH 44308  
Attn: Mike Thorn, FERC & Wholesale Connection Support Manager

Nikhil Rao-Associate General Counsel  
FirstEnergy Service Company  
76 South Main Street  
A-GO-15  
Akron, OH 44308  
[pnrao@firstenergycorp.com](mailto:pnrao@firstenergycorp.com)  
(330) 384-2422

Tricia Hartzell-Legal Specialist  
FirstEnergy Service Company  
76 South Main Street

A-GO-15  
Akron, OH 44308  
[thartzell@firstenergycorp.com](mailto:thartzell@firstenergycorp.com)  
(330) 761-4426

With copies to:  
FirstEnergy Service Company  
Legal Department  
76 South Main Street  
A-GO-15  
Akron, OH 44308  
Attn: Attorney for FERC & Wholesale Connection Support

- 17.0 All portions of the Tariff and the Operating Agreement pertinent to the subject of this Interim ISA are incorporated herein and made a part hereof.
- 18.0 This Interim ISA is entered into pursuant to Part IV of the Tariff.
- 19.0 Neither party shall be liable for consequential, incidental, special, punitive, exemplary or indirect damages, lost profits or other business interruption damages, by statute, in tort or contract, under any indemnity provision or otherwise with respect to any claim, controversy or dispute arising under this Interim ISA.
- 20.0 Addendum of Interconnection Customer's Agreement to Conform with IRS Safe Harbor Provisions for Non-Taxable Status. To the extent required, in accordance with Section 20.1, Schedule A to this Interim ISA shall set forth the Interconnection Customer's agreement to conform with the IRS safe harbor provisions for non-taxable status.
- 20.1 Tax Liability
  - 20.1.1 Safe Harbor Provisions:

This Section 20.1.1 is applicable only to Generation Interconnection Customers. Provided that Interconnection Customer agrees to conform to all requirements of the Internal Revenue Service ("IRS") (e.g., the "safe harbor" provisions of IRS Notices 2001-82 and 88-129) that would confer nontaxable status on some or all of the transfer of property, including money, by Interconnection Customer to the Interconnected Transmission Owner for payment of the Costs of construction of the Transmission Owner Interconnection Facilities, the Interconnected Transmission Owner, based on such agreement and on current law, shall treat such transfer of property to it as nontaxable income and, except as provided in Section 20.1.2 below, shall not include income taxes in the Costs of Transmission Owner Interconnection Facilities that are payable by Interconnection Customer under the Interim Interconnection Service Agreement, the Interconnection Service Agreement or the Interconnection Construction Service Agreement. Interconnection Customer shall document its agreement to conform to IRS requirements for such non-taxable status in the Interconnection Service Agreement, the

Interconnection Construction Service Agreement, and/or the Interim Interconnection Service Agreement.

#### 20.1.2 Tax Indemnity:

Interconnection Customer shall indemnify the Interconnected Transmission Owner for any costs that Interconnected Transmission Owner incurs in the event that the IRS and/or a state department of revenue (State) determines that the property, including money, transferred by Interconnection Customer to the Interconnected Transmission Owner with respect to the construction of the Transmission Owner Interconnection Facilities is taxable income to the Interconnected Transmission Owner. Interconnection Customer shall pay to the Interconnected Transmission Owner, on demand, the amount of any income taxes that the IRS or a State assesses to the Interconnected Transmission Owner in connection with such transfer of property and/or money, plus any applicable interest and/or penalty charged to the Interconnected Transmission Owner. In the event that the Interconnected Transmission Owner chooses to contest such assessment, either at the request of Interconnection Customer or on its own behalf, and prevails in reducing or eliminating the tax, interest and/or penalty assessed against it, the Interconnected Transmission Owner shall refund to Interconnection Customer the excess of its demand payment made to the Interconnected Transmission Owner over the amount of the tax, interest and penalty for which the Interconnected Transmission Owner is finally determined to be liable. Interconnection Customer's tax indemnification obligation under this section shall survive any termination of the Interim Interconnection Service Agreement or Interconnection Construction Service Agreement.

#### 20.1.3 Taxes Other Than Income Taxes:

Upon the timely request by Interconnection Customer, and at Interconnection Customer's sole expense, the Interconnected Transmission Owner shall appeal, protest, seek abatement of, or otherwise contest any tax (other than federal or state income tax) asserted or assessed against the Interconnected Transmission Owner for which Interconnection Customer may be required to reimburse Transmission Provider under the terms of this Interim Interconnection Service Agreement or Part VI of the Tariff. Interconnection Customer shall pay to the Interconnected Transmission Owner on a periodic basis, as invoiced by the Interconnected Transmission Owner, the Interconnected Transmission Owner's documented reasonable costs of prosecuting such appeal, protest, abatement, or other contest. Interconnection Customer and the Interconnected Transmission Owner shall cooperate in good faith with respect to any such contest. Unless the payment of such taxes is a prerequisite to an appeal or abatement or cannot be deferred, no amount shall be payable by Interconnection Customer to the Interconnected Transmission Owner for such contested taxes until they are assessed by a final, non-appealable order by any court or agency of competent jurisdiction. In the event that a tax payment is withheld and ultimately due and payable after appeal, Interconnection Customer will be responsible for all taxes, interest and penalties, other than penalties attributable to any delay caused by the Interconnected Transmission Owner.

#### 20.1.4 Income Tax Gross-Up

20.1.4.1 Additional Security:

In the event that Interconnection Customer does not provide the safe harbor documentation required under Section 20.1.1 prior to execution of this Interim Interconnection Service Agreement, within 15 days after such execution, Transmission Provider shall notify Interconnection Customer in writing of the amount of additional Security that Interconnection Customer must provide. The amount of Security that a Transmission Interconnection Customer must provide initially pursuant to this Interim Interconnection Service Agreement shall include any amounts described as additional Security under this Section 20.1.4 regarding income tax gross-up.

20.1.4.2 Amount:

The required additional Security shall be in an amount equal to the amount necessary to gross up fully for currently applicable federal and state income taxes the estimated Costs of Local Upgrades and Network Upgrades for which Interconnection Customer previously provided Security. Accordingly, the additional Security shall equal the amount necessary to increase the total Security provided to the amount that would be sufficient to permit the Interconnected Transmission Owner to receive and retain, after the payment of all applicable income taxes ("Current Taxes") and taking into account the present value of future tax deductions for depreciation that would be available as a result of the anticipated payments or property transfers (the "Present Value Depreciation Amount"), an amount equal to the estimated Costs of Local Upgrades and Network Upgrades for which Interconnection Customer is responsible under the Interconnection Service Agreement. For this purpose, Current Taxes shall be computed based on the composite federal and state income tax rates applicable to the Interconnected Transmission Owner at the time the additional Security is received, determined using the highest marginal rates in effect at that time (the "Current Tax Rate"), and (ii) the Present Value Depreciation Amount shall be computed by discounting the Interconnected Transmission Owner's anticipated tax depreciation deductions associated with such payments or property transfers by its current weighted average cost of capital.

20.1.4.3 Time for Payment:

Interconnection Customer must provide the additional Security, in a form and with terms as required by Sections 212.4 of the Tariff, within 15 days after its receipt of Transmission Provider's notice under this section. The requirement for additional Security under this section shall be treated as a milestone included in the Interconnection Service Agreement pursuant to Section 212.5 of the Tariff.

20.1.5 Tax Status:

Each Party shall cooperate with the other to maintain the other Party's tax status. Nothing in this Interim Interconnection Service Agreement or the Tariff is intended to adversely affect any Interconnected Transmission Owner's tax exempt status with respect to the issuance of bonds including, but not limited to, local furnishing bonds.



- 21.0 Addendum of Interconnection Requirement for all Wind or Non-synchronous Generation Facilities. To the extent required, Schedule B to this Interim ISA sets forth interconnection requirements for all wind or non-synchronous generation facilities and is hereby incorporated by reference and made a part of this Interim ISA.
- 22.0 Infrastructure security of electric system equipment and operations and control hardware and software is essential to ensure day-to-day reliability and operational security. All Transmission Providers, Interconnected Transmission Owners, market participants, and Interconnection Customers interconnected with electric systems are to comply with the recommendations offered by the President's Critical Infrastructure Protection Board and best practice recommendations from the electric reliability authority. All public utilities are expected to meet basic standards for electric system infrastructure and operational security, including physical, operational, and cyber-security practices.

IN WITNESS WHEREOF, Transmission Provider, Interconnection Customer and Interconnected Transmission Owner have caused this Interim ISA to be executed by their respective authorized officials.

(PJM Queue Position #AD1-061)

Transmission Provider: PJM Interconnection, L.L.C.

DocuSigned by:  
By: Jason Connell Manager, Interconnection Projects 4/9/2020  
44B7E79981004DA... Name Title Date

Printed name of signer: Jason Connell

Interconnection Customer: Elk Hill Solar 1, LLC

DocuSigned by:  
By: Kevin Christy COO, North America 3/19/2020  
D01911105416... Name Title Date

Printed name of signer: Kevin Christy

Interconnected Transmission Owner: West Penn Power Company

DocuSigned by:  
By: Greg Hussing Dir FERC & RTO Support 4/8/2020  
153C934713C... Name Title Date

Printed name of signer: Greg Hussing

**SPECIFICATIONS FOR  
INTERIM INTERCONNECTION SERVICE AGREEMENT**

**By and Among  
PJM INTERCONNECTION, L.L.C.**

**And**

**Elk Hill Solar 1, LLC**

**And**

**WEST PENN POWER COMPANY**

**(PJM Queue Position #AD1-061)**

1.0 Description of Customer Facility to be interconnected with the Transmission System in the PJM Region:

a. Name of Customer Facility:

Elk Hill Solar 1

b. Location of Customer Facility:

Mercersburg, Pennsylvania

Grid Coordinates (39.8527650, -77.9260420)

West Penn Power Company Zone

c. Size in megawatts of Customer Facility:

For Generation Interconnection Customer:

Maximum Facility Output of 20 MW

2.0 Interconnection Rights: Interconnection Customer shall obtain Capacity Interconnection Rights in accordance with Subpart C of Part VI of the Tariff at the location specified in section 1.0b upon its execution of the final Interconnection Service Agreement described in section 7.0(a) of this Interim ISA.

3.0.A Facilities to be acquired, designed, constructed and/or installed by the Interconnected Transmission Owner under this Interim ISA:

Engineering and procurement activities associated with the Attachment Facilities and Non-Direct Connection work identified in the System Impact Study and described below:

**Attachment Facilities:**

1. Engineer the design of a single line tap switch off of the McConnellsburg-Mercersburg 34.5 kV Line as identified in Schedule D.
2. Procure one (1) 34.5 kV line switch and any other long lead material necessary.
3. Procure revenue meter.

**Non-Direct Connection Network Upgrades:**

1. Engineer the design of the two (2) manual 34.5 kV line switches along the McConnellsburg-Mercersburg 34.5 kV Line as identified in Schedule D.
2. Procure two (2) 34.5 kV line switches and any other long lead material necessary...
3. Engineer and procure the new relay panel for the McConnellsburg 34.5 kV line terminal at the Mercersburg substation.
4. Engineer and procure the new relay panel for the Mercersburg 34.5 kV line terminal at the McConnellsburg substation.
5. Environmental and Supervisory Control and Data Acquisition work associated with installation of the line switches.

3.0.B Facilities to be acquired, designed, constructed and/or installed by the Interconnection Customer under this Interim ISA:

None

4.0 Interconnection Customer shall be subject to the charges detailed below:

4.1 Attachment Facilities Charge: \$103,823

4.2 Local Upgrades Charge: \$0

4.3 Network Upgrades Charge: \$409,477

4.4 Cost Breakdown:

\$ 230,985	Direct Labor
\$ 179,655	Direct Material
\$ 51,330	Indirect Labor
\$ 51,330	Indirect Material
\$513,300	Total

**SCHEDULES:**

**SCHEDULE A – INTERCONNECTION CUSTOMER’S AGREEMENT TO CONFORM WITH IRS SAFE HARBOR PROVISIONS FOR NON-TAXABLE STATUS**

**SCHEDULE B - INTERCONNECTION REQUIREMENTS FOR A WIND GENERATION FACILITY**

**SCHEDULE C - CUSTOMER FACILITY LOCATION/SITE PLAN**

**SCHEDULE D - SINGLE-LINE DIAGRAM**

## **SCHEDULE A**

### **INTERCONNECTION CUSTOMER'S AGREEMENT TO CONFORM WITH IRS SAFE HARBOR PROVISIONS FOR NON-TAXABLE STATUS**

As provided in Section 20.1 of this Interim ISA and subject to the requirements thereof, Interconnection Customer represents that it meets all qualifications and requirements as set forth in Section 118(a) and 118(b) of the Internal Revenue Code of 1986, as amended and interpreted by Notice 2016-36, 2016-25 I.R.B. (6/20/2016) (the "IRS Notice"). Interconnection Customer agrees to conform with all requirements of the safe harbor provisions specified in the IRS Notice, as they may be amended, as required to confer non-taxable status on some or all of the transfer of property, including money, by Interconnection Customer to Interconnected Transmission Owner with respect to the payment of the Costs of construction and installation of the Transmission Owner Interconnection Facilities specified in this Interim ISA.

Nothing in Interconnection Customer's agreement pursuant to this Schedule A shall change Interconnection Customer's indemnification obligations under Section 20.1 of this Interim ISA.

## **SCHEDULE B**

### **INTERCONNECTION REQUIREMENTS FOR ALL WIND AND NON-SYNCHRONOUS GENERATION FACILITIES**

#### **A. Voltage Ride Through Requirements**

The Customer Facility shall be designed to remain in service (not trip) for voltages and times as specified for the Eastern Interconnection in Attachment 1 of NERC Reliability Standard PRC-024-1, and successor Reliability Standards, for both high and low voltage conditions, irrespective of generator size, subject to the permissive trip exceptions established in PRC-024-1 (and successor Reliability Standards).

#### **B. Frequency Ride Through Requirements**

The Customer Facility shall be designed to remain in service (not trip) for frequencies and times as specified in Attachment 2 of NERC Reliability Standard PRC-024-1, and successor Reliability Standards, for both high and low frequency condition, irrespective of generator size, subject to the permissive trip exceptions established in PRC-024-1 (and successor Reliability Standards).

#### **C. Supervisory Control and Data Acquisition (SCADA) Capability**

The wind or non-synchronous generation facility shall provide SCADA capability to transmit data and receive instructions from the Transmission Provider to protect system reliability. The Transmission Provider and the wind or non-synchronous generation facility Interconnection Customer shall determine what SCADA information is essential for the proposed wind or non-synchronous generation facility, taking into account the size of the facility and its characteristics, location, and importance in maintaining generation resource adequacy and transmission system reliability in its area.

#### **D. Meteorological Data Reporting Requirement (Applicable to wind generation facilities only)**

The wind generation facility shall, at a minimum, be required to provide the Transmission Provider with site-specific meteorological data including:

- Temperature (degrees Fahrenheit)
- Wind speed (meters/second)
- Wind direction (degrees from True North)
- Atmosphere pressure (hectopascals)
- Forced outage data (wind turbine and MW unavailability)

The Transmission Provider and Interconnection Customer may mutually agree to any additional meteorological data that are required for the development and deployment of a power production forecast. All requirements for meteorological and forced outage data must be commensurate with the power production forecasting employed by the

Transmission Provider. Such additional mutually agreed upon requirements for meteorological and forced outage data are set forth below:

NOT APPLICABLE FOR THIS INTERIM ISA



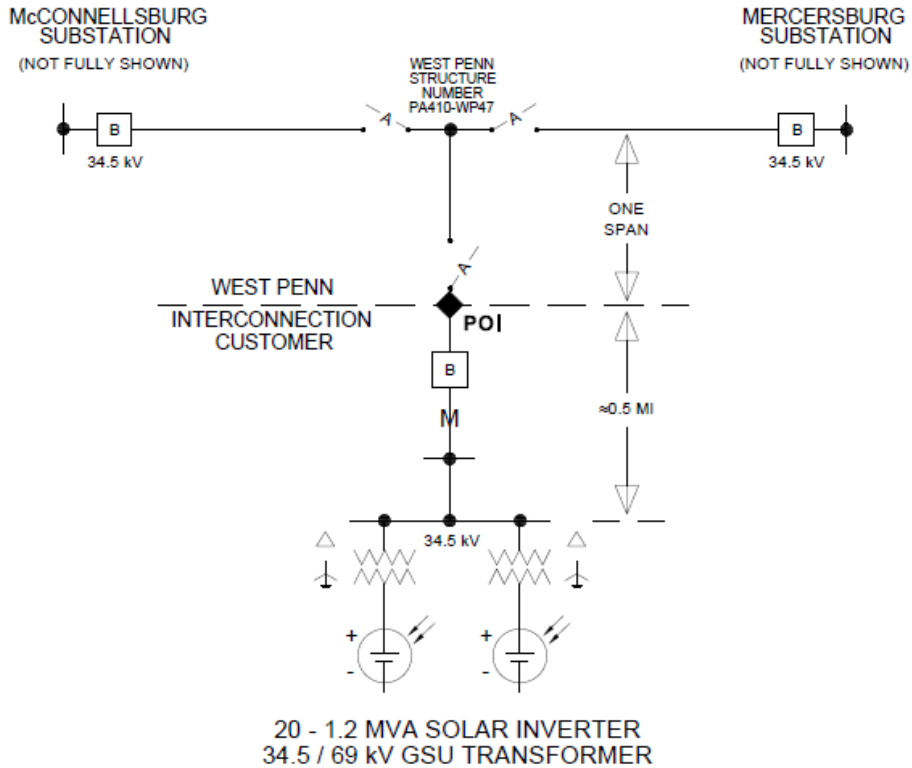
**SCHEDULE C**

**CUSTOMER FACILITY LOCATION/SITE PLAN**



# SCHEDULE D

## SINGLE-LINE DIAGRAM



◆ = POI (POINT OF INTERCONNECTION) LOCATED AT INTERCONNECTION CUSTOMER'S SUBSTATION DEAD-END STRUCTURE

M = REVENUE METERING FOR INTERCONNECTION CUSTOMER IS OWNED, OPERATED, AND MAINTAINED BY WEST PENN.

		TITLE GENERATION INTERCONNECTION TO THE McCONNELLSBURG - MERCERSBURG 34.5 KV LINE			
BY: J. L. M. APP: -	DATE: 10/03/2018 ISSUE: PRELIMINARY	AGREEMENT:	ID: 01 POI-WP-AD1-061.dwg	REV: -	