



*Working to Perfect the Flow of Energy*

Style Definition: PJM\_Normal

PJM Manual 01  
Control Center and Data  
Exchange Requirements

Revision: [332](#)

Effective Date: [03/31/2016](#)

Prepared by  
System Operations Division

© PJM 2016



**PJM Manual 01**

**Control Center Requirements**

**Table of Contents**

**Table of Contents**..... ii

**Table of Exhibits** ..... xii

**Approval** ..... 1

**Current Revision** ..... 1

**Introduction** ..... 3

    ABOUT PJM MANUALS ..... 3

    ABOUT THIS MANUAL ..... 3

    USING THIS MANUAL ..... 4

**Section 1: PJM Systems** ..... 5

    1.1 ENERGY MANAGEMENT SYSTEM (EMS) ..... 6

    1.2 VIRTUAL BACKUP CONTROL CENTER (VBUCC) ..... 7

    1.3 SYNCHROPHASOR SYSTEM ..... 7

    1.4 DATA HISTORIAN SYSTEM ..... 8

    1.5 ExSCHEDULE ..... 8

    1.6 TWO SETTLEMENT SYSTEM (MARKETS GATEWAY) ..... 8

    1.7 DISPATCH MANAGEMENT TOOL (DMT) ..... 9

    1.8 OPEN ACCESS SAME-TIME INFORMATION SYSTEM (OASIS) ..... 10

    1.9 OTHER ESUITE TOOLS (POWER METER, INSCHEDULES, ELRS, FTRCENTER) ..... 10

    1.10 PLANNING SYSTEMS ..... 10

**Section 2: Member Control Center Requirements** ..... 11

    2.1 PJM CONTROL CENTER CATEGORIES ..... 11

    2.2 PJM MEMBER DATA EXCHANGE ..... 12

    2.3 COMPUTER SYSTEM REQUIREMENTS ..... 13

        2.3.1 Transmission Monitoring Capability ..... 13

        2.3.2 Data Backup & Archiving ..... 14

        2.3.3 Computer System Security ..... 14

        2.3.4 System Maintenance ..... 15

        2.3.5 Expansion Capability ..... 15

        2.3.6 Data Integrity ..... 15

    2.4 COMMUNICATIONS REQUIREMENTS ..... 16

    2.5 FACILITIES REQUIREMENTS ..... 17

        2.5.1 Environmental Characteristics ..... 17

        2.5.2 Power Supply & Conditioning ..... 17

        2.5.3 Area Access Security ..... 18

        2.5.4 Information Flow to Control Room Personnel ..... 18

        2.5.5 Smoke & Fire Protection ..... 19

        2.5.6 Recovery Procedures ..... 19

        2.5.7 Disclosure of EMS Data to Transmission Owners ..... 21

    2.6 CONTROL CENTER STAFFING ..... 22

        2.6.1 Staffing Upon Loss of an EMS or a 765 kV, 500 kV, or 345 kV RTU ..... 22



[2.7 PJM MEMBER BACK UP CAPABILITY REQUIRED TO SUPPORT PJM IN ITS TOP ROLE](#) ..... 22

[2.7 CONTROL CENTER, EMS OR NETWORKING CHANGES COMMUNICATION](#) ..... 23

**[Section 3: Data Exchange Requirements](#) ..... 24**

[3.1 INTRODUCTION](#)..... 24

[3.2 ENERGY MANAGEMENT SYSTEM \(EMS\) DATA EXCHANGE](#) ..... 25

[3.2.1 EMS Communications System](#) ..... 25

[3.2.2 PJM EMS Communication Protocols](#) ..... 25

[3.2.3 EMS Data Exchange](#)..... 25

[3.2.4 PJMnet Communications System](#) ..... 27

[3.3 SYNCHROPHASOR SYSTEM DATA EXCHANGE](#)..... 28

[3.3.1 Synchrophasor Network](#)..... 28

[3.3.2 Synchrophasor Data Exchange](#) ..... 29

[3.4 OASIS INFORMATION EXCHANGE](#)..... 29

[3.4.1 Transmission Customer Communications](#) ..... 29

[3.4.2 Transmission Provider Communications](#)..... 30

[3.5 EMS BACKUP COMMUNICATIONS](#) ..... 30

[3.6 REAL-TIME ANALYSIS MONITORING REQUIREMENTS FOR SYSTEM SECURITY](#) ..... 30

[3.7 DISPATCHING REQUIREMENTS](#) ..... 31

[3.8 PLANNING, COORDINATION AND NOTIFICATION OF SYSTEM CHANGES AND EVENTS](#)..... 32

[3.8.1 Regular Planned System Outages](#)..... 33

[3.8.2 Emergency or Unscheduled System Outages](#) ..... 35

[3.8.3 Major System Changes and Events](#)..... 35

[3.8.4 Outage Tracking](#) ..... 37

**[Section 4: Interpersonal Communication \(Voice Communications\) Capability](#) 39**

[4.1 DISPATCH VOICE & FACSIMILE COMMUNICATIONS](#) ..... 39

[4.1.1 All Call System](#)..... 39

[4.1.2 Ring Down Circuits](#) ..... 40

[4.1.3 Manual Dial](#)..... 40

[4.1.4 Facsimile Communications](#) ..... 40

[4.2 ALTERNATIVE INTERPERSONAL COMMUNICATION \(VOICE COMMUNICATIONS\) CAPABILITY](#) 40

[4.2.1 Satellite Telephones](#) ..... 40

[4.3 ADDITIONAL METHODS OF VOICE COMMUNICATIONS](#) ..... 41

[4.3.1 Business Voice System](#) ..... 41

[4.3.2 Cellular Telephones](#) ..... 41

[4.4 INTERPERSONAL COMMUNICATION \(VOICE COMMUNICATION\) CAPABILITY FAILURE](#) ..... 44

[4.5 PJM COMMUNICATION PROTOCOL](#) ..... 44

[4.5.1 Purpose](#) ..... 44

[4.5.2 Applicability](#)..... 44

[4.5.3 Definitions](#) ..... 45

[4.5.4 Communication Protocols](#)..... 46

[4.5.5 Communications Protocols Training Requirements](#) ..... 47

[4.5.6 Communication Protocol Assessment](#) ..... 47

**[Section 5: Metering System Requirements](#) ..... 49**

[5.1 PURPOSE & CRITERIA](#)..... 49

[5.1.1 Applicability by Date](#)..... 49

[5.1.2 Applicability by Equipment](#)..... 51



5.1.3 Accuracy Determination .....	51
5.1.4 Preference for Best Available Accuracy .....	52
5.1.5 Metering and Telemetry .....	53
5.1.6 Types of Metering Systems .....	53
5.2 SYSTEM CONTROL AND MONITORING (INSTANTANEOUS DATA) .....	54
5.2.1 Tie Lines .....	54
5.2.2 Area Regulation .....	62
5.2.3 Generation Dispatch Data .....	63
5.2.4 Generation Reserve .....	63
5.2.5 System Restoration .....	63
5.2.6 General Telemetry .....	64
5.2.7 System Control and Monitoring Metering Maintenance .....	64
5.2.8 Accuracy Investigations .....	64
5.2.9 Special Considerations and Requirements for Voltage and Amps .....	65
5.3 BILLING (ACCUMULATOR DATA) .....	66
5.3.1 Collection Intervals and Units .....	66
5.3.2 Primary Billing Meter Accuracy .....	66
5.3.3 Backup Billing Meter Requirements .....	67
5.3.4 Maintenance .....	67
5.3.5 Accuracy Checks and Retention .....	68
5.3.6 Location of PJM Mid-Atlantic 500 kV Meter Points .....	68
5.3.7 Geographically Non-Contiguous Load .....	69
5.3.8 Generation Billing Metering .....	69
5.3.9 Small Energy Billing Metering .....	69
<b>Attachment A: Information Access Matrix .....</b>	<b>80</b>
<b>Attachment B: Schedule of Data Submittals .....</b>	<b>90</b>
<b>Attachment C: PJMnet ICCP Failover Tests .....</b>	<b>92</b>
<b>Attachment D: Tie Line Meter Placement and Telemetry .....</b>	<b>96</b>
<b>Revision History .....</b>	<b>99</b>
<b>Table of Contents .....</b>	<b>ii</b>
<b>Table of Exhibits .....</b>	<b>vi</b>
<b>Approval .....</b>	<b>1</b>
<b>Current Revision .....</b>	<b>1</b>
<b>Introduction .....</b>	<b>2</b>
ABOUT PJM MANUALS .....	2
ABOUT THIS MANUAL .....	2
USING THIS MANUAL .....	3
<b>Section 1: PJM Systems .....</b>	<b>4</b>
1.1 ENERGY MANAGEMENT SYSTEM (EMS) .....	5
1.2 VIRTUAL BACKUP CONTROL CENTER (VBUC) .....	6
1.3 SYNCHROPHASOR SYSTEM .....	6
1.4 DATA HISTORIAN SYSTEM .....	7
1.5 EXSCHEDULE .....	7
1.6 TWO SETTLEMENT SYSTEM (MARKETS GATEWAY) .....	7
1.7 DISPATCH MANAGEMENT TOOL (DMT) .....	8



1.8 OPEN ACCESS SAME-TIME INFORMATION SYSTEM (OASIS)	9
1.9 OTHER ESUITE TOOLS (POWER METER, INSCHEDULES, ELRS, FTRCENTER)	9
1.10 PLANNING SYSTEMS	9
<b>Section 2: Member Control Center Requirements</b>	<b>10</b>
2.1 PJM CONTROL CENTER CATEGORIES	10
2.2 PJM MEMBER DATA EXCHANGE	11
2.3 COMPUTER SYSTEM REQUIREMENTS	12
2.3.1 Transmission Monitoring Capability	12
2.3.2 Data Backup & Archiving	13
2.3.3 Computer System Security	13
2.3.4 System Maintenance	14
2.3.5 Expansion Capability	14
2.3.6 Data Integrity	14
2.4 COMMUNICATIONS REQUIREMENTS	15
2.5 FACILITIES REQUIREMENTS	16
2.5.1 Environmental Characteristics	16
2.5.2 Power Supply & Conditioning	16
2.5.3 Area Access Security	17
2.5.4 Information Flow to Control Room Personnel	17
2.5.5 Smoke & Fire Protection	18
2.5.6 Recovery Procedures	18
2.5.7 Disclosure of EMS Data to Transmission Owners	20
2.6 CONTROL CENTER STAFFING	21
2.6.1 Staffing Upon Loss of an EMS or a 765 kV, 500 kV, or 345 kV RTU	21
2.7 PJM MEMBER BACK UP CAPABILITY REQUIRED TO SUPPORT PJM IN ITS TOP ROLE	21
2.7 CONTROL CENTER, EMS OR NETWORKING CHANGES COMMUNICATION	22
<b>Section 3: Data Exchange Requirements</b>	<b>23</b>
3.1 INTRODUCTION	23
3.2 ENERGY MANAGEMENT SYSTEM (EMS) DATA EXCHANGE	24
3.2.1 EMS Communications System	24
3.2.2 PJM-EMS Communication Protocols	24
3.2.3 EMS Data Exchange	24
3.2.4 PJMnet Communications System	26
3.3 SYNCHROPHASOR SYSTEM DATA EXCHANGE	27
3.3.1 Synchrophasor Network	27
3.3.2 Synchrophasor Data Exchange	28
3.4 OASIS INFORMATION EXCHANGE	28
3.4.1 Transmission Customer Communications	28
3.4.2 Transmission Provider Communications	29
3.5 EMS BACKUP COMMUNICATIONS	29
3.6 REAL TIME ANALYSIS MONITORING REQUIREMENTS FOR SYSTEM SECURITY	29
3.7 DISPATCHING REQUIREMENTS	30
3.8 PLANNING, COORDINATION AND NOTIFICATION OF SYSTEM CHANGES AND EVENTS	31
3.8.1 Regular Planned System Outages	32
3.8.2 Emergency or Unscheduled System Outages	33
3.8.3 Major System Changes and Events	33



3.8.4 Outage Tracking .....	36
<b>Section 4: Interpersonal Communication (Voice Communications) Capability .....</b>	<b>37</b>
4.1 DISPATCH VOICE & FACSIMILE COMMUNICATIONS .....	37
4.1.1 All-Call System .....	37
4.1.2 Ring-Down Circuits .....	38
4.1.3 Manual Dial .....	38
4.1.4 Facsimile Communications .....	38
4.2 ALTERNATIVE INTERPERSONAL COMMUNICATION (VOICE COMMUNICATIONS) CAPABILITY .....	38
4.2.1 Satellite Telephones .....	38
4.3 ADDITIONAL METHODS OF VOICE COMMUNICATIONS .....	39
4.3.1 Business Voice System .....	39
4.3.2 Cellular Telephones .....	39
4.4 INTERPERSONAL COMMUNICATION (VOICE COMMUNICATION) CAPABILITY FAILURE .....	39
4.5 PJM COMMUNICATION PROTOCOL .....	39
4.5.1 Purpose .....	40
4.5.2 Applicability .....	40
4.5.3 Definitions .....	40
4.5.4 Communication Protocols .....	41
4.5.5 Communications Protocols Training Requirements .....	42
4.5.6 Communication Protocol Assessment .....	42
<b>Section 5: Metering System Requirements .....</b>	<b>44</b>
5.1 PURPOSE & CRITERIA .....	44
5.1.1 Applicability by Date .....	44
5.1.2 Applicability by Equipment .....	45
5.1.3 Accuracy Determination .....	46
5.1.4 Preference for Best Available Accuracy .....	47
5.1.5 Metering and Telemetry .....	47
5.1.6 Types of Metering Systems .....	48
5.2 SYSTEM CONTROL AND MONITORING (INSTANTANEOUS DATA) .....	48
5.2.1 Tie Lines .....	49
Primary Transducer .....	51
Accuracy Guideline .....	51
Frequency Transducers .....	51
0.001 Hz .....	51
Potential Transformers .....	51
0.30% of Full Scale .....	51
Current Transformers .....	51
0.50% of Full Scale .....	51
MW/MVAR/Voltage Transducers .....	51
0.25% of Full Scale .....	51
Remote Terminal Units (RTU) .....	51
0.25% of Full Scale .....	51
Meter .....	52
Accuracy .....	52
Scan Freq .....	52



Telemetry..... 52

Primary..... 52

+/- 2%..... 52

4 sec. or less between scans (2 sec. preferred)..... 52

One primary meter is at each Point of Interconnection. Each primary meter telemeters to the owning MOC/TO. The MOC/TO telemeters to PJM and the native BA..... 52

Meter..... 53

Accuracy..... 53

Scan Freq..... 53

Telemetry..... 53

Primary..... 53

+/- 2%..... 53

4 sec. or less between scans (2 sec. preferred)..... 53

The primary meter telemeters to the primary end TO. Primary end TO telemeters to PJM..... 53

Backup..... 53

/Secondary..... 53

+/- 5%..... 53

4 sec. or less between scans (2 sec. preferred)..... 53

The backup/secondary meter telemeters to the secondary end TO. Secondary end TO telemeters to PJM..... 53

Meter..... 54

Accuracy..... 54

Scan Freq..... 54

Telemetry..... 54

Primary..... 54

+/- 2%..... 54

10 sec. or less between scans..... 54

The primary meter telemeters to the owning TO and other end TO. Both TOs telemeter to PJM..... 54

Meter..... 55

Accuracy..... 55

Scan Freq..... 55

Telemetry..... 55

Primary..... 55

+/- 2%..... 55

10 sec. or less between scans..... 55

The primary meter telemeters to the primary end TO. Primary end TO telemeters to PJM..... 55

Backup..... 55

/Secondary..... 55

+/- 5%..... 55

10 sec. or less between scans..... 55

The backup/secondary meter telemeters to the secondary end TO. Secondary end TO telemeters to PJM..... 55



Meter .....	55
Accuracy .....	55
Scan Freq.....	55
Telemetry.....	55
Primary .....	55
+/- 2% .....	55
4 sec. or less between scans (2 sec. preferred).....	55
The meter telemeters to the owning TO/BA and other end TO/BA. Both TOs telemeter to PJM.....	55
Meter .....	55
Accuracy .....	55
Scan Freq.....	55
Telemetry.....	55
Primary .....	56
+/- 2% .....	56
10 sec. or less between scans.....	56
The primary meter telemeters to the primary end TO. Primary end TO telemeters to PJM.....	56
Backup.....	56
/Secondary.....	56
+/- 5% .....	56
10 sec. or less between scans.....	56
The backup/secondary meter telemeters to the secondary end TO. Secondary end TO telemeters to PJM.....	56
5.2.2 Area Regulation.....	56
5.2.3 Generation Dispatch Data.....	56
5.2.4 Generation Reserve.....	57
5.2.5 System Restoration.....	57
5.2.6 General Telemetry.....	57
5.2.7 System Control and Monitoring Metering Maintenance.....	58
5.2.8 Accuracy Investigations.....	58
5.2.9 Special Considerations and Requirements for Voltage and Amps.....	59
5.3 BILLING (ACCUMULATOR DATA).....	59
5.3.1 Collection Intervals and Units.....	60
5.3.2 Primary Billing Meter Accuracy.....	60
5.3.3 Backup Billing Meter Requirements.....	61
5.3.4 Maintenance.....	61
5.3.5 Accuracy Checks and Retention.....	61
5.3.6 Location of PJM Mid-Atlantic 500 kV Meter Points.....	62
5.3.7 Geographically Non-Contiguous Load.....	62
5.3.8 Generation Billing Metering.....	63
5.3.9 Small Energy Billing Metering.....	63
<b>Attachment A: Information Access Matrix .....</b>	<b>64</b>
<b>Attachment B: Schedule of Data Submittals .....</b>	<b>74</b>
<b>Attachment C: PJMnet ICCP Failover Tests .....</b>	<b>76</b>





<b>Attachment D: Tie Line Meter Placement and Telemetry</b>	<b>80</b>
<b>Revision History</b>	<b>83</b>
<b>Table of Contents</b>	<b>ii</b>
<b>Table of Exhibits</b>	<b>v</b>
<b>Approval</b>	<b>1</b>
<b>Current Revision</b>	<b>1</b>
<b>Introduction</b>	<b>2</b>
<b>ABOUT THIS MANUAL</b>	<b>2</b>
Intended Audience	2
References	3
<b>USING THIS MANUAL</b>	<b>3</b>
What You Will Find In This Manual	3
<b>Section 1: PJM Systems</b>	<b>4</b>
1.1 ENERGY MANAGEMENT SYSTEM (EMS)	5
1.2 VIRTUAL BACKUP CONTROL CENTER (VBUCC)	6
1.3 SYNCHROPHASOR SYSTEM	6
1.4 DATA HISTORIAN SYSTEM	6
1.5 ExSCHEDULE	7
1.6 TWO SETTLEMENT SYSTEM (MARKETS GATEWAY)	7
1.7 DISPATCH MANAGEMENT TOOL (DMT)	8
1.8 OPEN ACCESS SAME-TIME INFORMATION SYSTEM (OASIS)	8
1.9 OTHER eSUITE TOOLS (POWER METER, INSCHEDULES, ELRS, FTRCENTER)	8
1.10 PLANNING SYSTEMS	9
<b>Section 2: Member Control Center Requirements</b>	<b>10</b>
2.1 PJM CONTROL CENTER CATEGORIES	10
2.2 PJM MEMBER DATA EXCHANGE	11
2.3 COMPUTER SYSTEM REQUIREMENTS	12
2.3.1 Transmission Monitoring Capability	12
2.3.2 Data Backup & Archiving	13
2.3.3 Computer System Security	13
2.3.4 System Maintenance	13
2.3.5 Expansion Capability	13
2.3.6 Data Integrity	14
2.4 COMMUNICATIONS REQUIREMENTS	15
2.5 FACILITIES REQUIREMENTS	15
2.5.1 Environmental Characteristics	16
2.5.2 Power Supply & Conditioning	16
2.5.3 Area Access Security	17
2.5.4 Information Flow to Control Room Personnel	17
2.5.5 Smoke & Fire Protection	17
2.5.6 Recovery Procedures	18
2.5.7 Disclosure of EMS Data to Transmission Owners	20
2.6 CONTROL CENTER STAFFING	20
2.6.1 Staffing Upon Loss of an EMS or a 765 kV, 500 kV, or 345 kV RTU	21
2.7 PJM MEMBER BACK-UP CAPABILITY REQUIRED TO SUPPORT PJM IN ITS TOP ROLE	21
2.7 CONTROL CENTER, EMS OR NETWORKING CHANGES COMMUNICATION	22



**Section 3: Data Exchange Requirements ..... 23**

3.1 INTRODUCTION ..... 23

3.2 ENERGY MANAGEMENT SYSTEM (EMS) DATA EXCHANGE ..... 24

3.2.1 EMS Communications System ..... 24

3.2.2 PJM-EMS Communication Protocols ..... 24

3.2.3 EMS Data Exchange ..... 24

3.2.4 PJMnet Communications System ..... 26

3.3 SYNCHROPHASOR SYSTEM DATA EXCHANGE ..... 27

3.3.1 Synchrophasor Network ..... 27

3.3.2 Synchrophasor Data Exchange ..... 27

3.4 OASIS INFORMATION EXCHANGE ..... 28

3.4.1 Transmission Customer Communications ..... 28

3.4.2 Transmission Provider Communications ..... 28

3.5 EMS BACKUP COMMUNICATIONS ..... 29

3.6 REAL TIME ANALYSIS MONITORING REQUIREMENTS FOR SYSTEM SECURITY ..... 29

3.7 DISPATCHING REQUIREMENTS ..... 30

3.8 PLANNING, COORDINATION AND NOTIFICATION OF SYSTEM CHANGES AND EVENTS ..... 30

3.8.1 Regular Planned System Outages ..... 31

3.8.2 Emergency or Unscheduled System Outages ..... 32

3.8.3 Major System Changes and Events ..... 32

3.8.4 Outage Tracking ..... 34

**Section 4: Interpersonal Communication (Voice Communications) Capability ..... 36**

4.1 DISPATCH VOICE & FACSIMILE COMMUNICATIONS ..... 36

4.1.1 All-Call System ..... 36

4.1.2 Ring-Down Circuits ..... 37

4.1.3 Manual Dial ..... 37

4.1.4 Facsimile Communications ..... 37

4.2 ALTERNATIVE INTERPERSONAL COMMUNICATION (VOICE COMMUNICATIONS) CAPABILITY ..... 37

4.2.1 Satellite Telephones ..... 37

4.3 ADDITIONAL METHODS OF VOICE COMMUNICATIONS ..... 38

4.3.1 Business Voice System ..... 38

4.3.2 Cellular Telephones ..... 38

4.3.3 Three-Part Communications ..... 38

4.4 INTERPERSONAL COMMUNICATION (VOICE COMMUNICATION) CAPABILITY FAILURE ..... 40

4.5 PJM COMMUNICATION PROTOCOL ..... 40

4.5.1 Purpose ..... 40

4.5.2 Applicability ..... 41

4.5.3 Definitions ..... 41

4.5.4 Communication Protocols ..... 42

4.5.5 Communications Protocols Training Requirements ..... 43

4.5.6 Communication Protocol Assessment ..... 43

**Section 5: Metering Requirements ..... 45**

5.1 PURPOSE & CRITERIA ..... 45

5.2 GENERAL GUIDELINES ..... 45

5.3 PRIMARY METERING REQUIREMENTS ..... 46

5.3.1 Accuracy ..... 47



<u>5.3.2 Backup Metering Requirements</u> .....	47
<u>5.3.3 Location of Meter Points</u> .....	47
<u>5.3.4 Alternative Approach</u> .....	48
<u>5.3.5 Tie Line Telemetry Specification</u> .....	48
<u>5.3.6 Geographically Non-Contiguous Load</u> .....	51
<u>5.3.7 Maintenance</u> .....	51
<u>5.4 METER ACCURACY STANDARDS</u> .....	52
<u>5.4.1 Purpose</u> .....	52
<u>5.4.2 General Guidelines</u> .....	52
<u>5.4.3 Primary Metering Accuracy</u> .....	53
<u>5.5 SYSTEM CONTROL MONITORING REQUIREMENTS</u> .....	53
<u>5.5.1 System Control Data</u> .....	53
<u>5.5.2 Area Regulation</u> .....	54
<u>5.5.3 Dispatch Data</u> .....	54
<u>5.5.4 Reserve Data</u> .....	54
<u>Attachment A: Information Access Matrix</u> .....	55
<u>Attachment B: Schedule of Data Submittals</u> .....	65
<u>Attachment C: PJMnot ICCP Failover Tests</u> .....	67
<u>Revision History</u> .....	71



**Table of Exhibits**

<a href="#">Exhibit 1: Primary Transducer Accuracy Guidelines</a>	57
<a href="#">Exhibit 2: Generation Scheduling Services</a>	81
<a href="#">Exhibit 3: EMS Services</a>	83
<a href="#">Exhibit 4: Historical EMS Data Services</a>	84
<a href="#">Exhibit 5: Transmission Maintenance Planning Services</a>	85
<a href="#">Exhibit 6: Transmission Services</a>	86
<a href="#">Exhibit 7: Energy Transaction Services</a>	87
<a href="#">Exhibit 8: Long-term Planning Services</a>	88
<a href="#">Exhibit 9: PJM Administration Services</a>	89
<a href="#">Exhibit 1: Primary Transducer Accuracy Guideline</a>	6153
<a href="#">Exhibit 2: Generation Scheduling Services</a>	6356
<a href="#">Exhibit 3: EMS Services</a>	6558
<a href="#">Exhibit 4: Historical EMS Data Services</a>	6659
<a href="#">Exhibit 5: Transmission Maintenance Planning Services</a>	6760
<a href="#">Exhibit 6: Transmission Services</a>	6861
<a href="#">Exhibit 7: Energy Transaction Services</a>	6962
<a href="#">Exhibit 8: Long term Planning Services</a>	7063
<a href="#">Exhibit 9: PJM Administration Services</a>	7164



**Approval**

Approval Date: [04/15/2016](#)  
Effective Date: [03/31/2016](#)

Jeff Tiemann, Manager  
Real Time Data Management

**Current Revision**

Revision 33 ( ):

Section 2.5.6. Reference to NERC BAL-005-0 (out of date) changed to BAL-005.

Section 3.7. Two bullets regarding Tie Lines edited to address concerns with BAL-005 and align with Section 5 edit.

Section 3.8. Additional time restrictions on outages including PJM model build days, holidays and other major critical events.

Section 4.1. Communications expanded to specifically include external entities and non-member internal entities in addition to PJM Members. Delete of text box describing language and communications (redundant with Section 4.5).

Section 4.3.3. Removed. Section 4.5 replaces the content.

Section 4.5.5, 4.5.6. Now refer to 4.5.2 for operators required to complete training.

Section 4.5.2, 4.5.6. Applicable persons expanded to include member company dispatchers (was only operators before).

Section 5. Metering Requirements update and restructuring. Clearer breakdown by types of meters. Better separation between operations and billing meters. Clarifications on topics such as accuracy, maintenance, and applicability. Added official detailed definition of Tie Line subtypes. Revised "grandfather clause" for rewritten requirements that can be reasonably construed as new.

Revision 32 (03/31/2016):

- ~~Updated references to GMS, Generation Management System, to VBUCC, Virtual Backup Control Center~~
- ~~Updated references to Test System or Test Environment to Stage System or Stage Environment as appropriate.~~
- ~~Section 1.2 changed from a description of GMS to a description of VBUCC.~~
- ~~Standardized all references to "PJMNET" or "PJMNet" to "PJMnet".~~
- ~~2.3.1, removed reference to manual failovers.~~

- Formatted: Font:
- Formatted: PJM\_Heading\_4, Level 4, Space Before: 12 pt, After: 3 pt, Line spacing: Multiple 1.15 li, Keep with next
- Formatted: Font: Not Bold, Not Italic, (none)
- Formatted: Font: Not Bold, Not Italic
- Formatted: PJM Bulleted Para 2!

Formatted: English (U.S.)

Formatted: PJM Bulleted Para 2!, No bullets or numbering



- ~~2.3.6, removed references to the PJM-ICCP Network Interface Control Document, PJM-ICCP Communications Workbook and PJM-ICCP NICD and Workbook.~~
- ~~2.5.6, spelling and type fixes.~~
- ~~3.2.2, removed mention of PJM support for ICCP block 4 messages, which are not presently supported.~~
- ~~3.2.2, removed references to the PJM-ICCP Network Interface Control Document, PJM-ICCP Communications Workbook and PJM-ICCP NICD and Workbook.~~
- ~~3.2.3, removed reference to accumulated energy values as an EMS Data Exchange.~~
- ~~3.2.4, updated reference to frame relay with MPLS networking technology. Removed dated reference to PVC's. Replaced requirement to return "Welcome Letter" with kickoff conference.~~
- ~~Attachment C: Notification of Member Company System Outages deleted—content updated and migrated under Section 3.8.~~
- ~~Attachment D: PJM-EMS Networking Rapid Response Team deleted—content updated and migrated under Section 3.8.~~
- ~~Attachment C: PJMnet-ICCP Failover Tests added.~~
- ~~Section 3.8, Planning, Coordination and Notification of System Changes and Events added.~~
- ~~Section 3.8.1, Regular Planned Member Company System Outages added.~~
- ~~Section 3.8.2, Emergency and Unscheduled System Outages added.~~
- ~~Section 3.8.3, Communication of Major System Changes and Events added.~~
- ~~Section 3.8.4, Outage Tracking added.~~
- ~~Administrative Change—updated references for eFTR to FTRCenter.~~



## Introduction

Welcome to the *PJM Manual for Control Center Requirements*. In this Introduction, you will find the following information:

- What you can expect from the PJM Manuals in general (see “*About PJM Manuals*”).
- What you can expect from this PJM Manual (see “*About This Manual*”).
- How to use this manual (see “*Using This Manual*”).

### About PJM Manuals

The PJM Manuals are the instructions, rules, procedures, and guidelines established by the PJM Interconnection, L.L.C. for the operation, planning, and accounting requirements of the PJM RTO and the PJM Energy Market. The manuals are grouped under the following categories:

- Transmission
- PJM Energy Market
- Generation and transmission interconnection
- Reserve
- Accounting and Billing
- PJM administrative services

For a complete list of all PJM Manuals, go to [www.pjm.com](http://www.pjm.com) and select “Manuals” under the “Documents” pull-down menu.

### About This Manual

The *PJM Manual for Control Center Requirements* is one of a series of manuals within the Transmission Owners manuals. This manual focuses on the requirements for control centers of signatories to the Operating Agreement of PJM Interconnection, L.L.C. The manual describes the telecommunication linkages to the PJM Interconnection, L.L.C. and the recommended characteristics of these control center computer systems and the buildings housing these systems. It also summarizes the computer services and systems at the PJM Interconnection, the standards for billing quality MWh meters, and meter accuracy standards.

PJM staff will review and update this manual on an annual basis and review the updates with PJM control center operators.

The *PJM Manual for Control Center Requirements* consists of five sections and two attachments. These sections are listed in the table of contents beginning on page ii.

#### Intended Audience

The intended audiences for the PJM Manual for Control Center Requirements are:

- Applicants to the Operating Agreement of PJM Interconnection, L.L.C.



- All PJM Members Company Control Rooms
- PJM staff

#### References

There are some other reference documents that provide both background and detail. The *PJM Manual for Control Center Requirements* does not replace any of the information in these reference documents. These documents are the primary source for specific requirements and implementation details.

### Using This Manual

Because we believe that explaining concepts is just as important as presenting the procedures, we start each section with an overview. Then, we present details and procedures. This philosophy is reflected in the way we organize the material in this manual. The following paragraphs provide an orientation to the manual's structure.

#### What You Will Find In This Manual

- A table of contents that lists two levels of subheadings within each of the sections
- An approval page that lists the required approvals and a brief outline of the current revision
- Sections containing the specific guidelines, requirements, or procedures including PJM actions and PJM Member actions
- Attachments that include additional supporting documents, forms, or tables in this PJM Manual
- A section at the end detailing all previous revisions of this PJM Manual
- PJM Operations Manager will review this manual on a minimum of an annual basis for updates and changes and review with the PJM Systems Operation Subcommittee.





## Section 1: PJM Systems

Welcome to the *PJM Systems* section of the *PJM Manual for Control Center Requirements*. In this section you will find the following information:

- Descriptions of the PJM control centers systems (see “*PJM Systems*”).

### PJM Systems

PJM operates several functional systems that directly interface with PJM Members. Systems that are wholly internal to PJM and have no direct PJM Member interface are not listed.

The following systems are used to operate the PJM RTO and support the Energy Market:

- Energy Management System (EMS)
- Virtual Backup Control Center (VBUCC)
- PJM SCADA System
- PJM Synchrophasor System
- Data Historian System
- ExSchedule
- Two Settlement System (Markets Gateway)
- Dispatch Management Tool (DMT)
- Regulation Market
- Synchronized Reserve Market
- Operations Planning Tools
- Available Transfer Capability (ATC) Program
- Open Access Same-Time Information System (OASIS)
- Dispatcher Analysis and Reporting Tool (eDART)
- Other eSuite Tools (Power Meter, InSchedules, FTRCenter, eLRS)
- PJM Voice Communications
- Reliability Coordinator Information System (RCIS)
- Security Constrained Economic Dispatch (SCED)

The following systems are used for planning purposes:

- Generator Availability Data System (eGADS)
- Capacity Reporting Program (eRPM)
- Central Planning Database
- Transmission Planning Tools



## 1.1 Energy Management System (EMS)

The PJM EMS performs the real-time monitoring, security analysis, and generation control functions for the entire PJM region. The EMS major subsystems:

- Real-Time EMS — the Real-time EMS is responsible for monitoring, analysis, and real-time coordination of the PJM region. It includes a full complement of monitoring, generation control, state estimation and security analysis software. PJM Members supply telemeter data to the PJM real-time EMS and may receive data and control signals from the PJM real-time EMS.
- Communications Front End (CFE)
- The EMS Communications Front End processors communicate to the field via Distributed Network Protocol (DNP). This allows PJM to communicate directly with individual generators or smaller Control Centers.
- The CFE system allows transfer of both generation and revenue data to PJM as well as Automatic Generation Control (AGC), set point, device control, and other functions to the data concentrator (e.g. Remote Terminal Unit, Generator Control System, etc.) at the Member's site,
- DTS — The Dispatcher Training Simulator (DTS) system is used to train PJM dispatchers. Member company operators participate in Fall Restoration Drills using PJM's DTS.
- Development System — The Development System allows the PJM staff to develop software, database, and displays for the Real-Time EMS, and DTS systems, without interfering with the operation of those systems. There is no direct interaction between PJM Members and the Development System.
- Stage System — The Stage System provides an independent test environment to validate changes developed on the Development System, prior to installing them on the Real-Time EMS. PJM Members may exchange telemetry with the Stage System to verify telemeter points, to test data communications, to test communications failover capabilities and to test application programs.
- Process Control Test (PCT) System — The PCT system is a parallel test system with access to live data used to test and verify software and database changes prior to promoting those changes to the on-line production EMS. There is no direct interaction between PJM Members and the PCT system.
- EMS Reliability Configuration
- For reliability purposes, each of the Real-Time EMS systems described above is configured in a redundant or fault tolerant manner (depending on the nature of the subsystem) at each site (Valley Forge and Milford). In addition, the two sites are synchronized and operated from continuously staffed Control Centers at the respective locations.
- The Core elements of the Real-Time EMS systems (ICCP, SCADA, and AGC) are operated in a Dual Primary mode (both sites have these elements of the EMS as primary), with either site having the functionality of continuing to operate the grid by itself in the event of failure of the other.



- The Transmission Network Applications are operated in a Primary/Secondary mode with the configuration updates synchronized to the secondary so that it can either be slaved off of the primary or operate independently and still be ready to take over for the primary in the event of a primary failure or routine switchover.
- In the event of a catastrophic failure of systems at both sites, rapid recovery procedures are in place to recover the systems. While that recovery is occurring, Transmission Operating Authority would be temporarily turned over to the Transmission Owners and the VBUCC System would be used by PJM Dispatchers to provide the Balancing Authority function.
- EMS Support Systems
- The functionality as well as reliability requirements of each support system dictate its configuration:
- Test is site redundant/fault tolerant at each site and has a presence at each site as well as operates in modes (e.g. Dual Primary) like the Real Time EMS in order to support testing of new functionality.
- PCT is configured for a single system at each site that operates in modes (e.g. Dual Primary) like the Real Time EMS to support testing of (for example) new model functionality.
- Development as well as DTS are single systems. Development is located at Valley Forge, DTS is located at Milford

## 1.2 Virtual Backup Control Center (VBUCC)

The PJM VBUCC presently solves a backup Area Control Error (ACE) calculation and in the case of a dual AC1 and AC2 failure would mitigate the effects. It includes provision for all core SCADA and EMS applications, including for example AGC, SE and DMT, and interoperates with Markets through SCED. It is connected to other PJM EMS systems but has dedicated independent infrastructure and networking and has its own separate ICCP and DNP data links with member companies. The VBUCC is intended to be able to fully control the grid in the event of an AC1 and AC2 failure, pending further testing and development.

## 1.3 Synchrophasor System

A dedicated, secure Wide Area Network is streaming system data from member synchrophasors to PJM data centers, and between PJM and other RTOs and ISOs. The data is used in support of voltage stability, oscillation monitoring and detection, situational awareness, the archival system, model analysis, and as a Wide Area View, etc. It provides for the exchange of information among those who need synchrophasor and operating reliability data in support of their reliability responsibilities.



## 1.4 Data Historian System

The Data Historian System serves as a data archive for operational data in near-real-time. It provides visualization tools for presenting data to operators and provides a permanent archive of data for post-event study and analysis. Telemeter data is archived from EMS and other operational data is imported from other sources, including Market Systems.

## 1.5 ExSchedule

The ExSchedule records customer requests for interchange transactions, the bulk power scheduled between PJM and neighboring regions. PJM personnel uses ExSchedule to process and schedule these transactions. ExSchedule validates PJM ramp, use of transmission reservation rights, and other PJM scheduling business rules as described in the PJM Manual for Scheduling Operations.

## 1.6 Two Settlement System (Markets Gateway)

The Two-Settlement system consists of two markets, a day-ahead market and a real-time balancing market. The Day-ahead Market is a forward market in which hourly clearing prices are calculated for each hour of the next operating day based on generation offers, demand bids Increment offers, Decrement bids and bilateral transaction schedules submitted into the Day-ahead Market. The balancing market is the real-time energy market in which the clearing prices are calculated every five minutes based on the actual system operations security-constrained economic dispatch. Separate accounting settlements are performed for each market, the day-ahead market settlement is based on scheduled hourly quantities and on day-ahead hourly prices, the balancing settlement is based on actual hourly (integrated) quantity deviations from day-ahead scheduled quantities and on real-time prices integrated over the hour. The day-ahead price calculations and the balancing (real-time) price calculations are based on the concept of Locational Marginal Pricing.

The Day-ahead Market enables participants to purchase and sell energy at binding day-ahead prices. It also allows transmission customers to schedule bilateral transactions at binding day-ahead congestion charges based on the differences in LMPs between the transaction source and sink. Load Serving Entities (LSEs) may submit hourly demand schedules, including any price sensitive demand, for the amount of demand that they wish to lock-in at day-ahead prices. Any generator that is a PJM designated capacity resource must submit a bid schedule into the day-ahead market even if it is self-scheduled or unavailable due to outage. Other generators have the option to bid into the day-ahead market. Transmission customers may submit fixed, dispatchable or 'up to' congestion bid bilateral transaction schedules into the day-ahead market and may specify whether they are willing to pay congestion charges or wish to be curtailed if congestion occurs in the Real-time Market. All spot purchases and sales in the day-ahead market are settled at the day-ahead prices. After the daily quote period closes, PJM will calculate the day-ahead schedule based on the bids, offers and schedules submitted, using the



scheduling programs described in section 2 of this manual, based on least-cost, security constrained unit commitment and dispatch for each hour of the next operating day. The day-ahead scheduling process will incorporate PJM reliability requirements and reserve obligations into the analysis. The resulting Day-ahead hourly schedules and Day-ahead LMPs represent binding financial commitments to the Market Participants. Financial Transmission Rights (FTRs) are accounted for at the Day-ahead LMP values (see the *PJM Manual for Financial Transmission Rights (M-06)*).

The Real-time Energy Market is based on actual real-time operations. Generators that are designated PJM capacity resources that are available but not selected in the day-ahead scheduling may alter their bids for use in the Real-time Energy Market during the Generation Rebidding Period from 4:00 PM to 6:00 PM (otherwise the original bids remain in effect for the balancing market). Real-time LMPs are calculated based on actual system operating conditions as described by the PJM state estimator. LSEs will pay Real-time LMPs for any demand that exceeds their day-ahead scheduled quantities (and will receive revenue for demand deviations below their scheduled quantities). Generators are paid Real-time LMPs for any generation that exceeds their day-ahead scheduled quantities (and will pay for generation deviations below their scheduled quantities). Transmission customers pay congestion charges based on Real-time LMPs for bilateral transaction quantity deviations from day-ahead schedules. All spot purchases and sales in the balancing market are settled at the Real-time LMPs.

## 1.7 Dispatch Management Tool (DMT)

The Dispatch Management Tool (DMT) is a software tool that is designed to enable the PJM dispatchers to manage generating unit and transmission constraint information and administer the Real-Time Regulation Market. Since many of the current dispatcher logging activities are position independent, the DMT allows each dispatcher position to view the same generation and transmission constraint information simultaneously. This real-time sharing of logging information provides the PJM dispatchers with an efficient communication vehicle to help them perform their job functions more effectively.

The DMT is used by the PJM dispatchers to:

- View and record real-time unit generation information
- View and record unit generation scheduling information
- Review the chronological log of generation events
- Analyze system resources
- Record and calculate regulation assignment information
- Record and calculate Synchronized Reserve assignment information
- View and record real-time transmission constraint information



## 1.8 Open Access Same-time Information System (OASIS)

The PJM OASIS system maintains transmission and ancillary services information for PJM Members. OASIS operates on a collection of PJM and PJM Member computers linked by private and public networks. For additional information, see the [OASIS User Guide](#).

## 1.9 Other eSuite Tools (Power Meter, InSchedules, eLRS, FTRCenter)

The other eSuite tools are all Web-based tools that PJM members use to facilitate the exchange of information with PJM and support various PJM market activities.

Curtailment Service Providers will retrieve PJM real time Energy market dispatch instructions, PJM emergency event notifications and PJM synchronized reserve event notifications on a 1 minute basis from PJM eLRS system through published Web Service standards in eLRS web service User Guide. PJM will post-dispatch instructions in eLRS based on economic demand response registration or economic demand response dispatch group that has been dispatched in the real time energy market. PJM will post in eLRS emergency event notifications and instructions when it calls an emergency demand response event. PJM will post in eLRS synchronized reserve event notifications when it calls a synchronized reserve event.

CSP must maintain communication link and continuously check for dispatch instructions and event notifications and provide PJM an acknowledgment for receipt of each dispatch instruction and notification. PJM can provide generic and unsupported software client to perform the required requests and acknowledgements. This is offered as an aid for CSPs that currently do not have web service capabilities.

## 1.10 Planning Systems

PJM operates several planning systems which are used to run studies for reliability and capacity planning and for transmission planning. Reliability and capacity planning includes the Generating Availability Data System (GADS) database and eRPM are computer programs and databases used for entering, storing, and reporting generating unit data concerning outages, unit performance, and fuel performance. In addition, PJM Members provide information to the PJM Central Planning Database, a database containing planning information relating to generation production costs, load flow analyses, short circuit and system dynamics studies, and LSE load data. Additional details about these planning functions may be found in the [PJM Manual for Load Forecasting and Analysis \(M-19\)](#), and the [PJM Manual for PJM Resource Adequacy Analysis\(M-20\)](#).

PJM also performs transmission planning studies. For example, PJM Members staffs provide transmission planning capacity and load data to the PJM Transmission Planning Tool which generates performance adequacy and reliability assessments (see the [PJM Manual for Transmission Service Request \(M-02\)](#)).



## Section 2: Member Control Center Requirements

Welcome to the *Control Center Requirements* section of the PJM Manual for *Control Center Requirements*. In this section you will find the following information:

- A description of the different categories of control centers (see “PJM Control Center Categories”).
- An overview of PJM Member responsibilities (see “PJM Member Data Exchange”).
- Computer system requirements for Control Centers (see “Computer System Requirements”).
- Communications requirements (see “Communications Requirements”).
- Requirements for control center physical facilities (see “Facilities Requirements”).
- Control center staffing recommendations (see “Control Center Staffing”).

### 2.1 PJM Control Center Categories

PJM Members may be involved with transmission ownership, generation ownership, load service operations, and/or PJM Energy Market participation. Depending upon the functions they perform and the services they require from PJM, the control center for each PJM Member will fall into one or more of the designations defined below. The specific functions, systems, and communications capabilities of that control center depend upon the responsibilities of the PJM Member:

- **Local Control Center** — An entity that participates in the Operating Agreement of PJM Interconnection, L.L.C. (Agreement) and assists PJM in operating and controlling Designated Transmission Facilities establishes a Local Control Center (LCC) to facilitate its responsibilities regarding the security of the PJM RTO.
- **Market Operations Center** — An entity that participates in the Agreement and assists PJM in operating and controlling generation within the PJM RTO establishes a Market Operations Center (MOC) to facilitate its responsibilities regarding the security of the PJM RTO.
- **Load Service Center** — any entity that participates in the Agreement and operates and controls load (but without generation or Designated Transmission Facilities) establishes a Load Service Center (LSC) to facilitate its responsibilities for its load in the PJM RTO. Entities responsible for load that also assist PJM in operating or controlling transmission and/or generation may not need an LSC, as they can discharge these responsibilities from an LCC or MOC.
- **Marketing Center** — a participant in the Agreement as a Power Marketer, Wholesale System User, Other Supplier, or Transmission Customer establishes a Marketing Center to facilitate communications with PJM concerning its participation in the PJM Energy Market.

Many PJM Members are involved in more than one of the four areas of responsibility discussed above. Each member is obligated to be in compliance with the Code of Conduct requirements established in FERC Order 2004. Entities participating in the



PJM Energy Market may establish a separate MOC. All of these four categories of control centers are referred to collectively in this manual as “control centers”.

## 2.2 PJM Member Data Exchange

PJM Members support a variety of PJM functions appropriate to their business requirements and level of participation requirement in PJM. For each of the PJM services described in this section, data is exchanged between PJM and one or more of the categories of PJM Member control centers. The following PJM services are further defined in Attachment A, Information Services Matrix. In this attachment, the references to “Member Type” translate to control center category as follows:

- Regional Transmission Owner — Local Control Center (LCC)
- Generating Entity — Market Operations Center (MOC)
- Load Serving Entity — Load Service Center (LSC)
- Marketer — Marketing Center
- Generation Scheduling Services — MOCs input generation, pre-scheduling, scheduling, Synchronized Reserve bids, and regulation bids, and outage data to PJM, and PJM output hourly and daily generation scheduling information to LCCs, MOCs, and LSCs (see the PJM Manual for Pre-Scheduling Operations (M-10) and the PJM Manual for Energy & Ancillary Services Market Operations (M-11)).
- EMS Services — LCCs, MOCs and LSCs input real-time transmission and generation information plus generator regulation and availability data and PJM outputs real-time transmission status, generation status, generation dispatch and regulation signals, and operations & emergency information (see the PJM Manual for Balancing Operations (M-12)).
- Synchrophasor Services – LCCs and MOCs input real-time transmission and generation information (see the PJM Manual for Generation Operational Requirement (M-14D)).
- Transmission Maintenance Planning Services — LCCs input transmission maintenance schedules which are confirmed by PJM to all PJM Members (see the PJM Manual for Transmission Operations (M-03)).
- Transmission Services — OASIS is used at LSCs and Marketing Centers to input transmission reservations and by PJM to output Available Transmission Capacity, energy transactions, transmission congestion information, approved transmission reservation requests, and other market information to all categories of control centers (see the PJM Manual for Transmission Service Request (M-02) and the OASIS User Guide.
- Energy Transaction Services — bilateral energy transactions are input from all categories of control centers and are confirmed by PJM (see the PJM Manual for Energy & Ancillary Services Markets Operations (M-11) and the PJM Manual for Balancing Operations (M-12)).
- Long-term Planning Services — LCCs, MOCs, and LSCs input capacity, load, system characteristics information, generator events, production costs, outage





reports and long-term planning information and PJM outputs the results of studies and assessments to all categories of control centers (see the PJM Regional Transmission Planning Process Manuals (14 Series))

- PJM Administration Services — PJM outputs general administrative information and FERC filings to all PJM Members via the PJM Web site.

## 2.3 Computer System Requirements

Each PJM Member's control center serves as the primary operating link to the PJM control centers and includes computer system hardware and software that supports their responsibilities under the Agreement.

### 2.3.1 Transmission Monitoring Capability

Transmission Owners shall provide transmission monitoring at their Local Control Centers including monitoring of circuit loading, voltages, limit violations and contingency analysis. Basic software should include State Estimation and Security Analysis functions to monitor actual and contingency conditions. This should include functionality to bring to the attention of operating personnel important deviations in operating conditions.

In the event that PJM's monitoring systems are unavailable, PJM may notify Transmission Owners that they are the sole monitor for their portions of the bulk power transmission system. In that scenario, PJM will communicate the situation via the All-Call. PJM is expecting that the Transmission Owner(s) will use their monitoring systems to (1) assess the reliability of their portions of the bulk power transmission system via contingency analysis and SCADA; (2) communicate any contingency or limit violations on any bulk electric system facility to PJM as soon as possible. If the Transmission Owner determines that corrective actions are necessary to preserve system reliability, then PJM shall approve the corrective action, unless immediate action is necessary. If immediate action is necessary, the TO shall implement the action and report to PJM any actions taken. If the various PJM real time analysis tools are not functioning for the present operating state (possibly because of an EMS outage), PJM shall coordinate with the appropriate Member Transmission Owner to determine if their tools are functioning. If neither the Member Transmission Owner nor the PJM EMS are functioning, then PJM will work with the Transmission Owner to return the system to a known operating condition.

Note: PJM Transmission Owners that own BES facilities and serve load greater than 300 MW must have a real-time analysis package or have their BES facilities be observable within another TO analysis package. Any exceptions to this requirement must be formally approved by PJM.

Should the PJM RTO at any time enter into an unknown operating state due to a catastrophic failure of the ICCP links or loss of EMS analysis tools, it will be



considered an Emergency and operations shall be restored to respect proven reliable power system limits within 30 minutes in accordance with NERC standards. PJM relies on Transmission Owners to serve as a back-up to PJM, monitoring BES facilities, when the PJM EMS is inoperable (TOP-007-1). PJM Transmission Owners shall notify PJM dispatch within 15 minutes when their TO analysis packages are unavailable (TOP-004-2 R4).. In general, PJM may be in an unknown state when both PJM and TO analysis packages are unavailable.

The continuous calculation and monitoring of post-contingency voltages for nuclear power plants (for the loss of the nuclear unit) is an important requirement to ensure that adequate voltage is always available for the operation of the nuclear safety systems. Given this requirement, the nuclear power plant(s) shall be notified in cases where the transmission monitoring capability (at PJM and the Transmission Owner) becomes unavailable and the ability to calculate the post-contingency voltages is lost. [There may be situations where the calculations are only being performed at PJM. In this case, loss of the PJM capability shall trigger the notification to the nuclear power plant(s) within 30 minutes.] The notification will go via the All-Call from PJM to the Transmission Owner(s) who will then communicate with the applicable nuclear power plant(s).

#### System Availability

The computer hardware and software at each control center shall achieve a long-term 99.95% availability level for those reliability functions directly affecting the successful operation of PJM. Any application that supplies operational data to PJM, accepts generation control signals from PJM, or otherwise links to the real-time operational aspects of the PJM control system is considered vital to reliability. Other applications may be considered to be vital to a PJM Member's operations and therefore, shall also achieve 99.95% availability. Redundant hardware configurations with automatic failover schemes are generally necessary to achieve 99.95% availability.

#### **2.3.2 Data Backup & Archiving**

All PJM Members shall prepare and implement a backup and archiving plan which minimizes the loss of vital data upon the occurrence of any hardware failure or a catastrophic system loss.

#### **2.3.3 Computer System Security**

Control centers with electronic data links to the PJM computer systems require rigorous computer system security provisions to prevent unauthorized access and unintentional operation. Due to the sensitive nature of both operational and financial data, control center computer systems shall include appropriate techniques such as password log-on for internal users, hardware and software security controls for external users, and on-line virus detection capabilities. Telecommunication circuits connected to any control center computer system shall utilize firewall technology to prevent unauthorized access from external sources.



### 2.3.4 System Maintenance

Due to the operational requirements and economic benefits of a PJM Member's control center computer system, a computer system (hardware, software, and network) maintenance service arrangement with 24-hour, 7 day/week call-out provisions or on-site staff, is required to ensure appropriate levels of system availability to implement database changes, and to modify user interface displays.

### 2.3.5 Expansion Capability

PJM Member computer system hardware, software, and network shall be expandable to accommodate growth in their system and operations and to accommodate future changes to the organization and responsibilities of the PJM RTO and the PJM Energy Market. PJM services and marketing activities are all expected to increase and the control center computer systems shall be expandable to accommodate this expected growth. System design shall provide for orderly addition of computer hardware, software, and network through adherence to accepted system standards and Good Utility Practice.

### 2.3.6 Data Integrity

PJM maps quality codes sent by member companies into four quality codes:

1. Good (valid data);
2. Manually Substituted by company;
3. Telemetry Failure; and
4. Suspect (usually indicating value is bad).

Member companies should only send valid quality codes. In particular, companies with front-end data servers should insure that the front-end server does not initiate data transfers with PJM until the front-end server has begun receiving valid and current data from the company EMS or other data source. Sending even a single scan with zero values or other bad data for analog or switch statuses can cause massive alarm generation and improper operation of State Estimator and other vital functions.

PJM provides new members and existing members the testing requirements for system commissioning and on-going support. When commissioning a new system, members should request the latest copy of the *PJM ICCP Testing Requirements* document from PJM. The required tests include:

For new members:

1. Server to server communication verification over PJMnet
2. Exchange of NERC ICCP Association Information Exchange Form
3. Exchange of client and server data points needed before ICCP Association testing
4. Ability to initiate an ICCP Association with PJM



5. Ability to support an ICCP Dual direction Client-Server Association
6. Ability to provide real-time SCADA data during testing along with the ability to change values and quality codes
7. Ability to participate in testing with the designated PJM test or stage system
8. Participation in Failover testing to verify required network, server, and communication redundancy

For existing members:

1. All of the above (1 to 8). New members testing requirements
2. The ability to test with the designated PJM test or stage system while supporting the real time PJM EMS system
3. The ability to test changes with the PJM designated test or stage system before putting the changes in production with the real time PJM EMS system
4. The ability to support Failover testing to verify required network, server, and communications redundancy for existing member changes while still supporting the real time PJM EMS system
5. PJM Member companies are required to successfully complete the PJMnet ICCP Communications Failover Test before going into production with the PJM real time EMS system. The purpose of this test is to verify redundancy from company ICCP servers to PJM ICCP servers. In the process of doing this ICCP server to server Failover testing all network hardware components such as: routers, firewalls, and PJMnet communication lines will have their redundancy validated.
6. In order to accomplish site to site failover between AC1, AC2, and VBUCC, depending on situation, member company ICCP systems must be able to support up to four IP addresses in their ICCP association start up sequential server hunt list.

## 2.4 Communications Requirements

Telecommunications (voice and data) circuits, which must be reliable and secure, shall be tested regularly and/or monitored on-line, with special attention given to emergency channels. These communications will include:

- Provisions to monitor communications 24 x7.
- Voice communications between Transmission Owners and Distribution Providers in the Transmission Owner area
- Voice communications between Transmission Owners and Generator Operators in the Transmission Owner area
- Voice communications between Transmission Owners and neighboring Transmission Owners both internal to and external to PJM.
- Data communications between Transmission Owners and neighboring Transmission Owners both internal to and external to PJM (either directly or through PJMnet).



- Use of predetermined communication paths (phone numbers, etc.) to talk to neighboring Transmission Owners internal and external to PJM.
- Testing of voice communications with all neighboring Transmission Owners both internal and external to PJM.

## 2.5 Facilities Requirements

This section discusses the control center facility considerations for a PJM Member, including the physical space housing operations staff and, if appropriate, a computer room, communications room, and power supply area. While these considerations apply to all PJM Member categories, the specific implementation of control center facilities considerations shall be appropriate for the nature of the computer systems and communications equipment installed.

### 2.5.1 Environmental Characteristics

In order to ensure the PJM Member's computer system availability and data reliability discussed in the previous section, its control center facilities shall provide an environment that is suitable for its equipment and personnel during the hottest and coldest outdoor temperatures that can be anticipated.

- The range of control center temperature and humidity shall be controlled appropriately for the installed computer systems and communications equipment. The most restrictive temperature and humidity characteristics of any item of equipment in each room of the control center, the total heat load of that equipment, and the projected growth shall establish the design criteria for the heating, ventilating, and air conditioning systems provided.
- Control room operators, technical staff, and maintenance personnel should be able to function comfortably.
- Where feasible, heating, and air conditioning equipment shall be backed up with redundant or auxiliary systems to allow operations to continue indefinitely following the failure of any single temperature controlling device or motor control center.
- If the control center is located in the proximity of a polluting atmosphere, a positive pressure shall be maintained in the computer room using filtered air to minimize the accumulation of airborne contaminants on the computer system circuit boards and components.

### 2.5.2 Power Supply & Conditioning

Because of the importance of non-stop operation of the PJM RTO and the sensitivity of computer equipment to minor power disturbances, a stable and secure supply of AC power for the equipment in the control room, computer room, and communications room shall be provided and installed in compliance with current National Electric Code provisions.

- An uninterruptible power supply (UPS) (i.e., battery charger, battery, and inverter) and a backup generator is necessary to supply power to operator display equipment, computer systems and communications equipment. A completely redundant power supply with dual UPS may also be utilized.



- K-rated transformers and oversized neutral conductors shall be employed as necessary to mitigate the effects of harmonic distortion created by non-linear loads.
- The UPS battery shall have sufficient capacity to operate the computer system, and communications equipment until stable emergency generation can be achieved. Periodic maintenance and testing of the battery cells and inter-cell connections shall be performed.
- The backup generator shall be tested periodically under load to ensure its availability under loss of power conditions. Fuel supply for the backup generator should be sufficient for a five-day period. If applicable, redundant backup generators should be considered.
- An emergency lighting system should be provided with adequate battery capacity for several hours.
- The heating, cooling, and ventilation equipment shall also be powered by the backup generator (but not by the UPS).
- A high quality, common earth ground shall be provided, in accordance with IEEE standards, for the computer system and communications equipment to provide a low impedance path for rapid clearing of electrical faults and to reduce electromagnetic interference.
- If UPS power is not provided, TVSS protection for power and communications circuits shall be provided to mitigate the effects of lightning strikes and AC power excursions.
- Where warranted, external power to the control center shall be supplied from two sources, such as two distribution feeders that follow diverse routing from separate electric substations.

### **2.5.3 Area Access Security**

Access to PJM Member control rooms should be restricted. For example, access could be controlled by means of a single entry point monitored by office personnel during business hours and, at other times, either by control room personnel via closed-circuit TV monitors and remotely controlled locks or by a cipher/key/badge-reader lock. Emergency exits/entrances should be sealed and alarmed in conformance with local fire regulations.

### **2.5.4 Information Flow to Control Room Personnel**

A protocol shall be established concerning information transfer from PJM Member staff to the appropriate staff members and their supervisor responsible for coordinating and directing work in the PJM Member's control center. Topics covered shall include the following:

- Inquiries to the shift team and their on-shift supervision.
- Access control to the control room.
- Approvals for Computer outages.



- The PJM shift supervisor and Support Center shall be notified of any computer system outages.
- In case of implementation of PJM Emergency Procedures, all non-essential personnel shall leave the control center and non-essential computer system hardware and software maintenance should be terminated.

### 2.5.5 Smoke & Fire Protection

Smoke and fire detection equipment shall be installed to detect smoke and fire, warn personnel to hand-extinguish the fire or evacuate the facility, and, where warranted, automatically extinguish the fire. Smoke and fire protection equipment shall conform to the current version of NEC, local, state, and national codes.

### 2.5.6 Recovery Procedures

In accordance with BAL-005-0, "Automatic Generation Control," PJM, as the Balancing Authority, provides adequate and reliable backup power supplies and performs weekly tests (system conditions permitting) at both control center locations to ensure continuous operation of AGC and vital data recording equipment during loss of the normal power supply.

The AGC program is monitored by a function called the "Multi-Computer System (MCS) function." This function monitors all vital EMS programs, including AGC, and initiates a failover to the backup server if a problem is detected with the application. Data links to each member company are also monitored such that any interruption in data feed is indicated via alarm messages and an indicator on the main menu and by individual quality codes on all data affected by the link outage. In addition, the generation dispatcher has graphic presentations of ACE and other AGC data in front of them at all times so any interruption in the program or its calculations are readily apparent as a flat-line on the graphs.

PJM Members shall comply with PJM recovery procedures. For PJM Members that interface with the PJM EMS, all the necessary backup voice and data circuits must be provided between the Local Control Center and PJM. Generation owners should design their generation control systems with the capability to accept alternate control inputs from PJM AGC systems (i.e. AC1, AC2, and VBUCC) including manual operation as directed by PJM operations personnel.

Each Member TO must have a plan for loss of control center functionality that includes procedures and responsibilities for providing annual training to ensure that operating personnel are able to implement the plans.

All PJM Members shall develop a backup recovery plan to cover various contingencies, including maintaining an off-site storage location for updated copies of all software and data files necessary to restore control center functions. The backup recovery plan is subject to review by PJM.

PJM systems provide multiple levels of redundancy in order to mitigate various levels of Control Center functionality degradation. This redundancy and the associated Business Continuity Plans developed by PJM ensure that PJM can meet



its responsibilities under the PJM Operating Agreements as well as NERC standards. The following descriptive material provides a high level view of key areas included in the Business Continuity Plan and in detailed PJM operating procedures.

Portions of the PJM Control Center capability are housed in diverse physical locations. The PJM campus in Valley Forge, PA houses one control center and a second control center is located in Milford Township, PA. Each control center has access to the both AC1 and AC2 EMS's and maintains redundant communications capability for data and voice. Generation Control: PJM is capable of calculating Area Control Error (ACE) via AC1, AC2 or VBUC. AC1 and AC2 are physically located at different sites to increase redundancy. The PJM Operator has the ability within each tool to select alternative tie sources to correct for poor data quality.

***PJM Actions:***

- PJM Dispatcher verifies accuracy of ACE calculation.
- PJM Dispatcher controls to appropriate ACE by manually correcting any inaccurate data inputs.
- PJM Dispatcher notifies support personnel of data quality issue.
- PJM Dispatcher switches to alternative system in the event of a widespread data quality issue.
- PJM returns to normal operations when data/ACE calculation issues are resolved.

Transmission Analysis: PJM is capable of performing transmission analysis via either Primary EMS.). System Operators have the ability to switch between EMS's in real time. Testing is scheduled on a weekly basis. Transmission Owners are responsible to monitor/control their transmission system in the event that both PJM primary EMS's are unavailable.

***PJM Actions:***

- PJM Dispatcher verifies the accuracy of the Network Applications (NA) results.
- PJM Dispatcher attempts to resolve inaccurate NA results by troubleshooting data inputs and manually over riding incorrect device statuses, tuning parameters, etc.
- PJM Dispatcher notifies support personnel of issue.
- If appropriate, PJM Dispatcher switches to alternate EMS.
- PJM Dispatcher notifies companies via the All-Call of NA status.
- PJM Dispatch notifies Transmission Owners and external systems via RCIS if unable to monitor system via alternate EMS.
- PJM returns to normal operations when appropriate.

Data Integrity: PJM is capable of failing ICCP links from AC1 to AC2 communication servers. System Operators have the ability to switch servers in real time. Testing is scheduled on a weekly basis.





**PJM Actions:**

- PJM Dispatcher verifies the accuracy/status of the data links.
- PJM Dispatcher notifies support personnel of data quality issue.
- PJM Dispatcher, if appropriate, will switch servers in real time on the PJM EMS.
- PJM Dispatcher, if appropriate, will switch EMS's if communication problems exist on both primary and stand by communication servers on either EMS.

Voice communication: Voice communications are available from either control room. Within each site there are multiple levels of redundancy, including dedicated ring-downs, manual dial, business voice systems, cellular, satellite, all-call and facsimile communications. Testing is conducted on a periodic basis.

**PJM Actions:**

- PJM Dispatcher will utilize the appropriate phone system, based on availability, following this hierarchy: British Telecom (BT), Tradenet, office phone, cell, satellite.

These plans and procedures for maintaining PJM Control Center functionality are integrated into the PJM Business Continuity Plan. Periodic training on the plan elements and specific actions required by System Operators is included in PJM's normal operating training curriculum. The Business Continuity Plan is tested on a semi-annual basis via drills and procedural exercises. System Operators are responsible for conducting the periodic tests, participating in the Business Continuity Exercise and participating in debriefing activities designed to identify and implement improvements to the overall process. Detailed operating procedures are documented in the Business Continuity Plan.

**2.5.7 Disclosure of EMS Data to Transmission Owners**

PJM will implement a technical solution to provide Transmission Owners with read-only access to PJM's EMS system. In order to ensure that this solution is implemented in a secure, protected manner, members are required to implement the following:

- Procedural controls to ensure that this information is viewed only from a location within the member's control center.
- Provide PJM's Network Infrastructure department configuration information needed for establishing and authenticating connections.
- Limit access to the workstation utilized in viewing PJM's EMS screen to those with authorized access to the member's control center.
- Share credentials for this access only with individuals who have authorized access to the member's control center. This should be documented in accordance with the member's controls for CIP 004 R4.
- Report to PJM immediately any incidents leading to loss, theft or destruction of the authentication devices.
- Data Security: Protect the information displayed in accordance with PJM's OA section 18.17, as well as member's own policies, standards and procedures.



- PJM may request evidence for any or all of these steps during PJM's TO Audit.

## 2.6 Control Center Staffing

PJM Member control centers must be staffed with competent personnel trained (reference PJM Manual 40) for all normal and emergency situations that might be anticipated. Control room operator staffing levels should be prudently determined based upon the impact of the PJM Member's operations. Possibilities for control room staffing include combinations of the following:

- One or more operators in the control room 24 hours a day, 7 days a week
- One or more operators in the control room during business hours or hours of operation
- Responsible personnel not in the control room but able to be contacted by the PJM dispatcher within one minute

While staffing guidelines cannot cover all situations, the following general guidelines may be useful:

- Transmission Owners, Generation Owners, and other Load Serving Entities that participate in the operation and security of the PJM RTO and/or that must respond to generation adjustment or load shedding during normal or emergency conditions must staff their control center 24 hours a day, 7 days a week, with 100% availability of staff.
- Owners of generation which operates infrequently may require continuous control center staffing only during the hours of their units' operation. They must be able to answer telephone questions and directions within one minute of a call initiation by PJM.
- Market Participants must be able to respond to telephone questions about their scheduled transactions within one minute of a call initiation by PJM.

### 2.6.1 Staffing Upon Loss of an EMS or a 765 kV, 500 kV, or 345 kV RTU

If a PJM Member's EMS becomes unavailable, some PJM Members move their dispatchers to a backup control center while others send staff to man their vital operational facilities. PJM Members should continue to stay in contact with and provide as much information as possible to PJM. If an EHV substation RTU becomes unavailable, the respective Transmission Owner may be required to send staff to that substation to telephone information to the LCC and to PJM.

## 2.7 PJM Member Back Up Capability Required to Support PJM in its TOP Role

If a PJM member primary EMS capability becomes unavailable, PJM will need back up capability (may include backup EMS or backup functionality or staffing critical substations, etc.) from the Transmission Owner to be available (within 1 hour) from that member so that PJM can continue to perform its obligations as the TOP during



such interruptions. Specifically, PJM requires the following from the PJM members during the loss of the transmission owner EMS:

- NERC Standard TOP-004, R1 requires the TOP to operate within the limits of its IROLs and SOLs. If the data for monitoring the IROLs and SOLs passes through the PJM member EMS and that capability becomes lost, then the PJM member is required to have a backup capability to ensure that the necessary data continues to be provided to PJM.
- During the TO transition to its back up facility, PJM will continue to monitor the TO Transmission System to the extent data quality permits.
- NERC Standard TOP-004, R6 requires the TOP to have formal policies and procedures to ensure transmission reliability. If the PJM member is unable to execute operating procedures that may be implemented by PJM, such as switching or load shedding, due to the unavailability of its EMS or other operational tools, then the PJM member is required to have a backup capability to be able to execute these actions.
- NERC Standard TOP-006, R1, R2, R5-7, requires data to be provided to PJM to ensure reliability. If such data is interrupted by unavailability of the PJM member EMS, then the PJM member is required to have a backup capability to ensure that the necessary data continues to be provided to PJM.
- NERC Standard TOP-008, R1-4 requires PJM to take immediate action to mitigate potential and actual IROL or SOL violations. Many of those actions require the PJM member to execute actions requested by PJM. If the unavailability of the PJM member EMS or other tools prevents the execution of those actions, then the PJM member is required to have back up capability to ensure that it can execute PJM-requested actions.

## 2.7 Control Center, EMS or Networking Changes Communication

Some Control Center changes and activities trigger special requirements to notify and communicate to PJM. Any change that will or potentially could affect the availability or accuracy of telemetry or data provided to PJM for EMS related activities have special notification and communication requirements. See Attachment C: Notification of Member Company System Outages and Attachment D: PJM EMS Networking Rapid Response Team for details about the requirements and procedures.



## Section 3: Data Exchange Requirements

Welcome to the *Communications & Data Exchange Requirements* section of the PJM Manual for *Control Center Requirements*. In this section you will find the following information:

- Data exchanges with new PJM Members (see “Introduction”).
- Data exchanged between PJM and PJM Member’s EMS systems (see “Energy Management System (EMS) Data Exchange”).
- Data exchanged between PJM and PJM Member’s Synchrophasor systems.
- Information available to Market Participants (see “OASIS Information Exchange”).
- Data exchanged over telephone and facsimile machines (see “Dispatch Voice and Facsimile Communications”).
- Usage of backup communications systems (see “Alternative Voice Communications”).
- Requirement to support both PJM dispatch centers (see “EMS”).

### 3.1 Introduction

Communications between PJM Members and PJM depend upon a combination of electronic data, dispatch and business voice links, facsimile, Internet communications (e.g., to OASIS), and data storage and paper reports sent by courier or US mail.

- PJM Members (and PJM) may require additional time after signing the Operating Agreement to establish electronic data links.
- PJM Members with real-time data to be exchanged with PJM and with a significant participation in the supply of information to the PJM RTO require electronic communications via the EMS and eSuite data exchanges.
- New PJM Members with a small amount of data to be exchanged and that do not require real-time links to PJM should use facsimile and voice communications for their PJM communications.
- New PJM Members already communicating with PJM through another PJM Member’s electronic communications systems should arrange to continue using those communications systems where this is feasible; separate electronic communications links can be planned and installed subsequently if necessary.



## 3.2 Energy Management System (EMS) Data Exchange

Energy Management System (EMS) information is exchanged between PJM EMS computers and the EMS systems of PJM Members primarily to support real-time functions such as PJM RTO network monitoring, generation control, and security analysis as well as non-real time functions, such as generation scheduling, accounting information, messages, and reports. The information exchange occurs periodically, by exception, and upon demand.

### 3.2.1 EMS Communications System

PJM and PJM Members exchange EMS information between their respective EMS computer systems via PJMnet, which is a dual redundant MPLS (Multiprotocol Label Switching) network using the Inter-control Center Communications Protocol (ICCP).

### 3.2.2 PJM EMS Communication Protocols

The EMS utilizes a communication protocol based on the Inter-control Center Communications Protocol (ICCP) standard. PJM supports block 1 (scanned data) and block 2 (exception data) of the ICCP protocol. PJM requires that members support blocks 1 and 2.

ICCP is a comprehensive, international standard for real-time data exchange within the electric power utility industry. It is intended to support inter-utility real-time data exchange which is vital to the operation of interconnected systems.

Data types, message structures and other interoperability details are discussed and coordinated between PJM and the connecting member prior to integration.

### 3.2.3 EMS Data Exchange

EMS data is exchanged between each PJM Member's EMS and the PJM EMS computer system periodically on one of several fixed cycles, as well as on demand, by exception, and interactively.

- The EMS data sent cyclically from PJM Members to PJM includes the following types of information sent with associated data quality codes:
  - data needed for the PJM control programs
  - data needed for monitoring generation
  - data needed for monitoring transmission
  - data needed for monitoring interchange
- The EMS data sent cyclically from the existing PJM EMS to each PJM Member's EMS includes the following types of information:
  - System control data
  - Generation and transmission information required for monitoring and security analysis programs
  - Area Regulation data



- Cyclic data exchanged at the fast scan rate (i.e., two seconds) is used to develop the PJM Area Control Error (ACE) and associated individual PJM Member Area Regulation megawatt values. Cyclic data exchanged at a slower scan rate (i.e., every ten seconds) is used to develop dispatch control values, security monitoring, and data tracking.
- PJM Members are responsible for the accuracy of the data they send to PJM. A maximum of 2% overall inaccuracy in the repeatability of data from transducers or potential transformers/current transformers (PTs/CTs) is allowed for instantaneous monitored values (see Section 5, Meter Accuracy Standards). Hourly MWh readings data must be provided to PJM daily to ensure accurate billing. Regular calibration of PJM Member metering is necessary to keep the data as accurate as possible (see Section 4, Billing Metering Standards).
- Data exchanged either by exception, on demand, or interactively between PJM Member's and the PJM EMS systems include the following:
  - Breaker, disconnect, and line status changes, with associated data quality code information (integrity scans for exception data shall be at 30 minute intervals)
  - Emergency messages in text format

Each PJM Member is responsible for determining data quality indicators for all data transmitted to PJM. Both failed individual values and any value calculated using a failed point must be flagged. At times, state estimated values may suffice for an interim period. However, when a point fails for an extended period, a manual update of the point's value is necessary to keep the data as accurate as possible.

PJM member systems will report to PJM the outage of any equipment which handles telemeter 345 kV or higher and tie data sent to PJM. This equipment includes remote terminal units (RTU), data links, etc., which telemeter 345 kV and higher voltage facilities and tie line values, megawatt flows, megavar flows, and voltage. Scheduled outages should be reported one day in advance, and again prior to switching the equipment out of service. The loss of any of this equipment should be reported immediately after such an occurrence. The PJM control room should be notified when the outaged equipment is returned to service.

When data communication outages occur, the following data must be kept manually (or electronically should manually prove impractical) updated:

- Megawatt line flows for 345 kV or higher lines and all tie lines. If megawatt values cannot be given, provide the best data available, i.e. MVA, state estimated data, etc.
- Bus voltages for all 345 kV or higher stations.

Affected data must be updated:

- After the loss of a major generator or transmission line;
- When the data value has a detected change of more than 100 MW on a 500 kV or higher line, or more than 50 MW on a 345 kV and below;
- At least every 30 minutes, and more frequently as determined by PJM.



- Whenever changes occur, 500/345/230 kV tap changes and 345 kV or higher breaker positions should be manually updated. MVAR values for the 345 kV or higher lines will be updated only when requested by PJM.

Members should use the appropriate notification procedures for each outages of data provided to PJM. See Section 3.8 for notification requirements.

### 3.2.4 PJMnet Communications System

PJMnet is a dual-redundant MPLS network that PJM utilizes as the primary wide-area network for communicating Control Center data to and from PJM. PJMnet will support:

- Inter-Control Center Communications Protocol (ICCP) data links to Control Centers.
- SCADA links to plants via remote terminal units (RTUs) using Distributed Network Protocol (DNP).

PJMnet connects member Local Control Centers (LCCs), Market Operations Centers (MOCs) and generating plants to PJM's Control Centers. The number of physical interfaces and their capacity will be determined by the impact of your facilities on overall PJM Operations. LCCs, MOCs and generating plants are expected to install metering and use their own EMS/GMS/SCADA or equivalent system to collect data. PJM will provide PJMnet network connections and router(s) at the member company location.

All Transmission Control Centers used for PJM controlled transmission facilities will receive a redundant PJMnet connection with optional additional circuit(s) to their disaster recovery location(s).

Availability and qualification for other links is described in Exhibit 3: Guidelines for Metering Installation of Manual 14-D.

(<http://www.pjm.com/documents/~media/documents/manuals/m14d.ashx>)

Exhibit 5 in Manual 14D

(<http://www.pjm.com/documents/~media/documents/manuals/m14d.ashx>) shows the types of equipment necessary for exchanging generation data with PJM.

PJM will supply a PJMnet connection to LCCs and generation sites per customer eligibility as indicated in manual 14D. This will include installation of the MPLS connections (local loop, etc.) and routers as well as ongoing Network Operations Support and maintenance of the PJMnet components. If dual circuits are provided, PJM will route them as diverse from each other as practicable within the existing infrastructure. Installation will be completed within 90 calendar days of the completion of the site survey contingent upon timely completion of the member supplied items. The member company will be responsible for the following:

- AC power within five (5) feet of equipment site.
- Power outlet(s) will be quad box outlet on a separate breaker for each router.
- Adequate cooling.



- Mounting location for PJMnet router and modem equipment.
- An environment clean and free from excessive dust or debris, dry (5 to 95% humidity, non-condensing), of moderate temperature (32 to 104 degrees F), well-ventilated and well-illuminated.
- Adequate station ground.
- Dial up modem lines for out of band router access by NOC.
- Attend Scheduled kickoff conference call to discuss PJMnet Site specific IP Addressing, Protocols to be used and Timeline requirements. During this call, details should be agreed to, before proceeding with the installation.

By utilizing the PJMnet Communications system, member company agrees to abide by all terms and conditions contained in the User Agreements governing such utilization, as updated from time to time located at the following links:

- For Qualified Connection provided pursuant to Schedule 9 of the Tariff (No fee assessed) – <http://pjm.com/media/about-pjm/member-services/membership-assistant/pjmnet-network-connection-limited-use-agreement-no-fee.pdf>
- For Purchased Connection provided pursuant to Schedule 11 of the Tariff (Fee assessed) – <http://pjm.com/media/about-pjm/member-services/membership-assistant/pjmnet-network-connection-limited-use-agreement.pdf>

### 3.3 Synchrophasor System Data Exchange

Synchrophasor System information is exchanged between the PJM Synchrophasor System and the Synchrophasor System of PJM members as well as other RTOs and ISOs to support real-time and off-line functions such as voltage stability monitoring, oscillation monitoring and detection, situational awareness, the archival system, modal analysis, and a Wide Area View.

#### 3.3.1 Synchrophasor Network

PJM and PJM Members exchange phasor information between their respective Synchrophasor systems via high-speed real-time data acquisition network. PJM will support:

- Dedicated dual-redundant high speed network (Phasornet) from member's center phasor data concentrator (PDC) to PJM super phasor data concentrator (SPDC) using the Protocol specified in standard C37.118.
- Dual-redundant MPLS (Multiprotocol Label Switching) network (PJMnet) from MOC / generating station PDC / PMU via ICCP data link or SCADA link to PJM SPDC.

PJM Synchrophasor communication system connects member Local Control Centers (LLCs), Market Operations Centers (MOCs) and generating plants to PJM's Synchrophasor System. The number of physical interfaces and their capacity will be determined by the impact of your facilities on overall PJM Operations. LCCs, MOCs and generating stations are expected to install phasor measurement unit(s) and use their own Synchrophasor system to collect data. PJM will provide either Phasornet





or PJMnet network connections and router(s) at the member company location as appropriate to the application.

PJM's and member company's responsibilities for the initial establishment and on-going maintenance of the Synchrophasor communication system are as similar as to EMS communication system which is specified in Manual 01 section 3.2.4.

### 3.3.2 Synchrophasor Data Exchange

Phasor data is exchanged between each PJM Member's Synchrophasor System and the PJM Synchrophasor System continuously at 30 samples per second rate.

- The phasor data sent continuously from PJM Members to PJM includes the following types of information sent with associated data quality codes:
  - data needed for monitoring generation (Refer to M14D section 4.3.4)
  - data needed for monitoring transmission ( This includes system frequency, positive sequence current and voltage)
- PJM Members are responsible for the accuracy of the data they send to PJM. A maximum of 0.2% (or as defined by Phasor Data Quality Task Force) overall inaccuracy or loss of data from members to PJM storage devices and user-level applications at PJM is allowed for instantaneous monitored values.
- All data items, regardless of type, are collected and disseminated at a frequency of 30 frames per second and should be sent to PJM with associated data quality codes in compliance with IEEE C37.118 communication standards.

PJM member systems will report to PJM the outage of any data communication equipment connecting the facility to PJM Synchrophasor system to the following email address: phasoroutage@pjm.com. This equipment includes phasor measurement device, PDC, data links, etc. Scheduled outages should be reported one day in advance, and again prior to switching the equipment out of service. The loss of any of this equipment should be reported immediately after such an occurrence. The PJM control room should be notified when the in-outage equipment is returned to service.

To support the recovery of PMU data, the member shall support the storage of PMU data locally to support recovery of that data for PJM.

## 3.4 OASIS Information Exchange

PJM is responsible for providing the Open Access Same-time Information System (OASIS) for PJM RTO Transmission Providers and Customers (see the [OASIS User Guide](#)). The information on the OASIS network includes Available Transfer Capability and other important transmission and ancillary services data. Market Participants are responsible for establishing Market Operations Centers which implement the necessary communications with OASIS.

### 3.4.1 Transmission Customer Communications

Transmission Customers use the public Internet to access PJM OASIS. OASIS Customers must register with PJM before they access the PJM OASIS system and login each time a connection is established. The primary interface to request



transmission or ancillary service and to provide information to PJM OASIS is on-line data entry forms available on the OASIS display pages. These forms are used to request the purchase of services and to offer products for sale, as well as to post other transmission-related information. Instructions on how to interface with OASIS are available on the OASIS display pages or from the PJM OASIS Account Administrator. If a Transmission Customer enhanced OASIS connections, a direct connection is available, at additional cost.

### **3.4.2 Transmission Provider Communications**

Transmission Providers may connect to the PJM OASIS system via the Internet and it is possible for them to use SQL\*NET protocol and ORACLE Forms user interface software to display and post information to the OASIS. ORACLE Forms are used to post and modify data, approve purchase requests, offer products for sale, and post "Want" ads. PJM is responsible for administering and posting information associated with the provision of transmission service as required by FERC.

### **3.5 EMS Backup Communications**

PJM utilizes two systems (AC1 and AC2) for PJM EMS control information as backups for one another. PJM requires all ICCP members to send identical sets of data to both systems by use of two ICCP Links. Members may also use these links to receive identical PJM ICCP data from both systems, or utilize a third ICCP Links that will be used to receive data from PJM. This third link must have the ability to connect to AC1 and AC2 to receive data.

PJM Transmission Owners with Ties to transmission systems external to PJM will provide tie line information to the PJM VBUCC system as a backup to the PJM AC1 and AC2 systems.

### **3.6 Real-Time Analysis Monitoring Requirements for System Security**

PJM analyzes the system security of the PJM system using information telemetered from PJM Members. Phase and line-end location of metering is as mutually agreed between the two connected systems, must be consistent with established system metering, and must be coordinated with PJM. The following analog and status information is required for this analysis:

- Required Analog Data:
- Voltages for buses at 34 kV and above (or 69 kV and above, if lower voltage equipment is not monitored), MW and MVAR values for generating units greater than 1 MW including steam, nuclear, hydro and combustion turbine units and non-utility generator units (usually individual unit generation but total station generation may be telemetered in special circumstances) if connected directly to the transmission system.
- MW and MVAR values (both ends) for designated transmission lines at 69 kV and above (if single-phase metering is employed, the B-phase is preferred)



- Transformer phase angle regulator (PAR) tap positions for modeled and controlled transformers (high side metering or low side with a loss calculation)
- MVAR values for synchronous condensers
- MVAR injection on 34 kV buses (or 69 kV if lower voltage equipment is not monitored)
- Load Tap Changing (LTC) transformers tap position for transmission transformers with a rated lowside voltage of 100kV or greater and the ability to change taps while energized and loaded.
- Load Tap Changing (LTC) transformers tap position for Generator Step-Up (GSU) transformers with a rated high-side voltage of 100kV or greater and the ability to change taps while energized and loaded.
- Selected station frequencies
- Frequency of Acquisition —  $\leq 10$  seconds
- Required Status Data:
  - Circuit breaker status for each modeled facility at 69 kV and above
  - Breaker and disconnect statuses as modeled
  - Frequency of Acquisition — Upon change of status.

PJM Members have the capability to validate data and send accurate manually adjusted data until inaccurate metering is corrected if state estimated data will not suffice. In case of a computer failure or outage, all data should be sent once the computer reinitializes. See the *PJM Manual for [Transmission Operations \(M-03\)](#)* for more information.

### 3.7 Dispatching Requirements

The following requirements are intended to assure reliable dispatch and operation of the PJM system:

- External Tie Line MW data is telemetered to PJM as well as the neighboring balancing authority area, control area, or electric system region, and emanates from a common agreed upon source using common primary metering equipment. See Section 5 of this Manual for PJM's definition of Tie Lines and associated metering requirements.
- Tie Line MWH data for each hour is reported to PJM on a daily basis via Power Meter. PJM Dispatch utilizes an EMS alarming process to compare State Estimator data to Tie Line telemetry in order to detect data accuracy issues on a more frequent basis than hourly intervals. See Section 5 of this Manual for associated Billing Meter requirements.
- ~~All tie line MW and MWH data are telemetered to PJM and the neighboring Control Area and emanate from a common agreed upon terminal using common primary metering equipment. Daily billing MWH data can be submitted via Power Meter.~~



- ~~• Tie-line MWH metering is not submitted on an hourly basis per NERC Standard BAL-005-0, however, this data is submitted on a daily basis via Power Meter. PJM Dispatch utilizes an EMS alarming process to compare State Estimator data to tie-line telemetry in order to detect data accuracy issues on a more frequent basis than hourly intervals.~~
- Combustion turbines supply accurate real-time status information and report failure-to-start situations.
- 500 kV and significant 345 kV and 230 kV locations require disturbance recording equipment for post-disturbance analysis. These devices should have the capability to retain historical data for future analysis.
- PJM Members participate in the payback of the accumulation of inadvertent interchange as directed by PJM.
- The amount of generator regulating capacity reported to PJM is accurate and committed to the system.
- The amount of generator reserve capacity reported to PJM is accurate and committed to the system.

Formatted: English (U.S.)

PJM Members, generating stations, and fault recorders are time synchronized to assure accurate recording times for system events.

### 3.8 Planning, Coordination and Notification of System Changes and Events

Any scheduled system change or event that affects or could potentially affect data received by or sent by PJM must be coordinated per Section 3.8.1. Additionally, emergency or unscheduled changes or events must be immediately handled per Section 3.8.2.

~~Some m~~Major system changes or events, beyond regular maintenance and operations activities, require more advanced planning notification and coordination through the member's Client Manager, as detailed Section 3.8.3.

In all cases, data outages ~~links~~ are tracked and reported as detailed in Section 3.8.4.

~~All e~~Outages should be avoided from happening on-not be planned for execution during specific resource certain-critical daystimes including PJM quarterly model build days:

~~PJM quarterly model build days are not permitted for outages, due -to heightened operational and technical complexity and risk.~~

The PJM Model Build Schedule is posted on the PJM DMS webpage:

Formatted: PJM\_Normal



<http://pjm.com/committees-and-groups/subcommittees/dms.aspx>

Formatted: Default Paragraph Font

~~PJM will make all efforts to announce and post any schedule changes at least one week in advance. In addition to model builds, other unique and infrequent major events for PJM, such as major EMS upgrades or major company integrations, are also not allowed for outages. Major PJM events will be specially communicated to all impacted members.~~

~~If emergency work that cannot be delayed or rescheduled requires an outage during a model build day or other restricted time, the PJM Shift Supervisor will work with the emergency coordinators for approval and scheduling.~~

Formatted: Normal

~~The PJM Model Build Schedule is posted on the PJM DMS webpage:~~

~~<http://pjm.com/committees-and-groups/subcommittees/dms.aspx>~~

~~PJM will make all efforts to announce and post any schedule changes at least one week in advance.~~

~~If emergency work that cannot be delayed or rescheduled requires an outage during a model build day, the PJM Shift Supervisor will work with the emergency coordinators for approval and scheduling.~~

Formatted: PJM\_Normal

~~PJM holidays are also not permitted—preferred for outages, due to constrained resource availability.~~

~~The PJM Business Holiday Calendar is posted on the Billing, Settlements & Credit webpage:~~

~~<http://www.pjm.com/markets-and-operations/billing-settlements-and-credit.aspx>~~

Formatted: Default Paragraph Font

~~Exceptions may be requested through [outages@pjm.com](mailto:outages@pjm.com).~~

Formatted: Default Paragraph Font

~~— Unique and infrequent major events for PJM, such as major EMS upgrades or major company integrations, and not permitted times for outages.~~

Formatted: PJM\_Bulleted\_Para\_1

~~— Major events will be specially communicated to all impacted members.~~

### 3.8.1 Regular Planned System Outages

Members and PJM should provide an email coordination notice to all affected parties 24 business hours in advance of regular system changes or events that could affect ICCP data link communications or the data exchange with PJM. Some typical events that fall under this category include:

1. Any action affecting ICCP data sent to PJM (EMS/GMS Database updates, server failovers, ...)



2. Significant Software Enhancements
3. Communication line outages
4. Backup center testing
5. Failovers to alternate sites
6. Network and Firewall maintenance
7. RTU outages or changes to RTU data sent to PJM for RTUs connected to EHV (345kv and above) facilities.

The PJM EMS Networking group will coordinate technical details or additional support as needed with the member company.

Members providing notification should send it to the following email address (outage@pjm.com ).

The notification should include:

1. The action being taken by the member company (see 1 above)
2. Planned length and expected time of the outage
3. Potential impact to PJM
4. Member contact information

Member Company System Operator should coordinate final outage with the PJM Dispatch Supervisor (610-666-8806) at least 15 minutes prior to the event.

PJM will communicate any additional system conditions which would cause the outage to affect system reliability even if the conditions are not directly related to the requesting company. This communication can be through either a PJM Dispatcher or a member of the EMS Networking group working with the impacted member company. The communication will not contain any information that can identify another member company but will contain enough information to let the affected member company understand the severity of the situation.

PJM fully understands the logistics and economic effect a delay or postponement can have on a member company. If the member company wishes to challenge or contest the delay or postponement, they should contact the PJM Shift Supervisor.

PJM will notify member companies of PJM initiated outages via an email list at least 24 business hours in advance through a self-subscribing alias Exchange list.

In order for a Member Company to receive an email alert of a PJM generated outage, the company must have a permanent email group address for this purpose. PJM will send outages to that email group address, not the address of an individual person, since individuals are frequently reassigned and change responsibilities. Additionally, the member company must subscribe to the outage list at [pjm-linkoutage@lists.pjm.com](mailto:pjm-linkoutage@lists.pjm.com).

PJM will follow-up significant outages with an All Call message 15 minutes prior to the outage.



### 3.8.2 Emergency or Unscheduled System Outages

Any unscheduled system change or event that affects or could potentially affect data received by or sent by PJM must be immediately communicated. Some of the required actions include:

1. Call the PJM EMS Networking Rapid Response Phone Line to coordinate a response to Emergency/Unscheduled System Outages at 610-666-8978
2. Member Company System Operator should immediately notify PJM when an event has occurred that include EMS and State Estimator outages.
3. The member company should attempt to provide input into the expected length of the outage.
4. Member Company must notify PJM when system has returned to normal.
5. The PJM Manual 13, Emergency Operations, should be followed for all Emergency System Outages.

### 3.8.3 Major System Changes and Events

Any change to a communication path is considered a significant change requiring advanced notification and detailed coordination among multiple groups at PJM. Some examples of this kind of activity include new network circuits, new EMS systems, IP address remapping, or major software upgrades.

The PJM and member activities that are required, summarized here, include:

1. Communication to the PJM Client Manager: [ClientManagers@pjm.com](mailto:ClientManagers@pjm.com)
2. Point to Point Data Validation – PJM Telemetry Support: [PJMTelemetrySupport@pjm.com](mailto:PJMTelemetrySupport@pjm.com)
3. Link and Failover Testing - PJM EMS Networking: [emsnet@pjm.com](mailto:emsnet@pjm.com)
4. Regulation Market Coordination and Testing- PJM Real Time Market Operations and Performance Compliance: [RegulationTesting@pjm.com](mailto:RegulationTesting@pjm.com)

These required activities required to accommodate the PJM Member's proposed EMS cutover are listed here in detail:

1. Communication to the PJM Client Manager
  - a. All changes that impact a server to server communication path should be communicated to the PJM Client Manager one month prior to the production date. These include:
    - i. Implementation of a new EMS system
    - ii. Implementation of new PJMnet communication circuits
    - iii. Replacement or operating system upgrade of ICCP Servers
    - iv. New or replaced Network equipment such as Firewalls, Routers, and Switches. (Only Failover Testing is required)



- v. Upgrade to ICCP Software, MMS Stack, and New Version of EMS Vendor Software.
    - vi. Change of IP Addressing of ICCP Servers by member
  - b. The PJM Client Manager will coordinate a conference call with all required parties to discuss the testing and cutover plan. The plan should be documented by the PJM member and sent to the Client Manager for distribution.
- 2. Point to Point Data Validation
  - a. Requires the following prerequisites to be in place:
    - i. Review and coordination of the complete ICCP point list exchanged between the member and PJM a week prior to scheduled testing.
    - ii. The data feeding the PJM stage system needs to be live and updating, not a copy of the members existing EMS.
  - b. Testing to the PJM Stage system should be requested at least 2 business days in advance.
  - c. Testing is to be performed on the PJM Stage system at least two weeks prior to the cutover. Testing will include:
    - i. The member manually replacing and failing both analog and status points to ensure proper quality code configuration.
    - ii. PJM will compare all of the data the member is sending to Stage from their new system to their legacy system to verify data accuracy. Any data found to be incorrect will need to be retested at a future date, prior to the cutover.
- 3. Link and Failover Testing
  - a. Requires the following prerequisites to be in place:
    - i. Previous Agreement between Member and PJM on the System configuration and how the testing will be performed. (See Attachment C: PJMnet ICCP Failover Tests)
    - ii. Point to Point Data Validation
  - b. The Link and Failover Testing needs to test all the links operated in all of the possible combinations. (See Attachment C: PJMnet ICCP Failover Tests)
  - c. All testing needs to be completed and approved by PJM prior to the cutover to Production.
- 4. Regulation Market Coordination and Regulation Testing, See Manual 12 – Section 4.5.1 for information on the Regulation Qualification Test





- a. Requires the following prerequisite to be in place: Member should send the list of units that participate in the Regulation market to RegulationTesting@pjm.com at least one week prior to the cutover.
  - b. An hour prior to scheduled cutover, and until retest the resources will not be qualified to offer regulation. Generation providing regulation must be taken out the Regulation Market.
  - c. Regulation testing will likely be required on all or some of the generators to recertify that the Regulation functionality has been restored, and that the generators can respond accurately and timely.
  - d. After successful completion of Regulation Performance Testing Requirements and Test Scoring, PJM Real Time Market Operations will enable any generation affected by the cutover to be available to bid again into the Regulation Market.
5. Cutover to Production - Coordination led by EMS Networking
- a. Requires the following prerequisite to be in place: Communication and testing must be completed and approved by PJM.
  - b. The date and time for cutover should be agreed upon by all parties at least one week prior to the cutover.
  - c. Members should send an email to outage@pjm.com 24 business hours in advance of significant system changes that could affect ICCP data link communications, or the data exchange with PJM. This process is described in PJM Manual 01 Section 3.8.
  - d. Member to contact EMS Networking prior to the production cutover to coordinate any special link configurations and communicate with PJM Dispatch.
  - e. PJM Telemetry Support will validate all ICCP points in the production system.
  - f. EMS Networking ensures the links are in the final configuration, and communicates with the member and PJM Dispatch that the changes are complete.

See Attachment C: PJMnet ICCP Failover Tests, for details about the different modes of failover testing that may be required.

#### **3.8.4 Outage Tracking**

All outages (planned and unplanned) causing link reliability to drop below 99.8% in a 24 hour period will be reported and tracked with a cause code by PJM.

In the event that PJM detects a member outage of one hour or greater, PJM will immediately email the appropriate SIS representative in order to alert that representative and facilitate determination of outage details.



The following information items will be tracked for outages:

1. Company Identifier (3 letter)
2. Outage length (in minutes)
3. Cause code (see table):

Code	Description
PTV	PJM Telecom Vendor
MTV	Member Telecom Vendor
PPO	PJM Planned Outage
MPO	Member Company Planned Outage
PUO	PJM Unplanned Outage
MUO	Member Company Unplanned Outage
OTH	Other



## Section 4: Interpersonal Communication (Voice Communications) Capability

The following sections document PJM's Interpersonal Communication (voice communication) and Alternative Interpersonal Communication capabilities in accordance with NERC Standard COM-001-2. The purpose of these Interpersonal Communication capabilities is to ensure necessary voice communication methods are established to maintain the reliability of the Bulk Electric System (BES).

### 4.1 Dispatch Voice & Facsimile Communications

The dispatch voice system provides high-priority Interpersonal Communication (voice communications) capability between PJM and ~~various PJM Members~~ other parties, including PJM Members, other internal entities and external entities, as described below. The dispatch voice system hardware consists of the All Call system, Ring Down circuits, and manual dial circuits. Equipment at PJM includes a British Telecom (BT) / BT digital switch and a Nortel Meridian PBX. Access and interfacing to the communications service providers is configured so that either switch can operate in stand-alone mode, but economy and performance are optimized when they are operating together.

Communications via facsimile machines is another redundant means of exchanging information between PJM operations, accounting, and other parties, including PJM Members, other internal entities and external entities, as described below. planning personnel and all categories of PJM Members.

~~PJM and PJM Members shall use English as the language for all communications between them and shall issue directives in a clear, concise, and definitive manner. These communications shall ensure the recipient of the PJM Directive repeats the information back correctly and the initiator shall acknowledge the response as correct or repeat the original statement to resolve any misunderstandings (i.e., 3-Part Communications) per NERC COM Standards.~~

Formatted: PJM\_Normal

#### 4.1.1 All Call System

The All Call system is used by PJM operators to contact Local Control Centers (LCCs), Market Operations Centers (MOCs), and Load Serving Centers (LSCs), either individually or simultaneously for information exchange under both normal and emergency situations. The All Call is based on the Dialogic Communications Corp. Communicator, an emergency notification system that provides PJM system operators the ability to broadcast voice, text or fax messages. The All Call operates over PSTN (Public Switched Telephone Network). The system is capable of sending messages to 72 numbers simultaneously. If the more than 72 locations must be contacted the system will dial the additional numbers as lines become available. Continuous retry logic ensures 100% of the facilities are contacted by cycling through primary, secondary, and tertiary numbers until positive confirmation



of message receipt. Both real-time displays and reports of response status are available to PJM System Operators.

Each control facility is required to have a dedicated PSTN line for the primary All Call number. Secondary and tertiary do not have to be dedicated to the All Call System; they may be PBX or cellular, not pager. Acknowledgement of message receipt by each participant is required. Logs of responses and response times are provided to PJM's Performance Compliance department for analysis.

#### **4.1.2 Ring Down Circuits**

Private Lines with automatic ringing (PLAR) or dual central office (DCO) lines are used to provide Ring Down or simulated Ring Down capability to LCCs, some Market Operations Centers (MOCs), and Load Service Centers (LSCs). These circuits provide virtually instantaneous point to point access between PJM and PJM Members.

#### **4.1.3 Manual Dial**

In addition to private line capability, the PJM BT switch also interfaces with both the PJM Meridian PBX and Central Office (CO) Lines to provide manual dial capability to all categories of PJM Members via the Public Switch Telephone Network (PSTN). Manual dial serves as backup to the Ring Down system in case that system fails.

#### **4.1.4 Facsimile Communications**

Facsimile communications is widely used in the PJM Control Center to communicate with all PJM Members. Facsimile machines support energy marketing, energy scheduling, unit scheduling, accounting, dispatch operations, and system restoration. These facsimile machines are connected to either the PJM Nortel Meridian PBX or CO Lines.

### **4.2 Alternative Interpersonal Communication (Voice Communications) Capability**

The dispatch voice system (All Call, Ring Down, and manual dial PBX) is designed to provide voice communications during normal circumstances. Should the PJM primary All Call System, Ring Down, Manual Dial, and Facsimile Communication fail, the satellite telephone system will serve as Alternative Interpersonal Communication capability.

#### **4.2.1 Satellite Telephones**

Satellite telephones are used by PJM dispatchers as Alternative Interpersonal Communication capability for voice communications. These telephones are used to protect against loss of common carrier services.

Transmission Owners shall have satellite phone capabilities at both their primary and back-up facilities. Satellite phones are required for all Generation Operator (GO) control centers which control one or more units totaling 500 MW or greater.



If the emergency plan for a generator control center is to co-locate with a transmission control center which has a satellite phone, this will meet the requirement, however, companies need to examine the systems for availability of both transmission and generator communications under emergency conditions.

Companies need to also provide similar (radio, satellite, etc.) redundant communications from their control centers to their plants. PJM may also require specific vital generation units to maintain a satellite phone.

Functional Requirements for Satellite Phones:

- Compatible with PJM satellite network
- Ability to receive dedicated all-call
- Ability to bypass the ground phone (PSTN) network

### 4.3 Additional Methods of Voice Communications

In addition to the satellite phone system that serves as Alternative Interpersonal Communication capability, the following systems provide further methods of Interpersonal Communication (voice communication) capability in the event the normal system becomes unavailable:

#### 4.3.1 Business Voice System

Each dispatch position is provided with a standalone phone set, configured with speed dial using CO Lines, which serve as a backup for the PJM BT switch to provide communication between the PJM control center and all PJM Members in the event of BT switch failure.

#### 4.3.2 Cellular Telephones

Cellular telephones are used by PJM dispatchers as an alternate method of voice communication. Cellular phones can be used to coordinate activities while physically moving personnel to the PJM emergency dispatch center.

#### 4.3.3 Three Part Communications

~~NOTE: This section 4.3.3 will be removed when COM-002-4 becomes enforceable on 7/1/2016. Operators should utilize the Communication Protocols outlined in Section 4.5. Section 4.5 will replace Section 4.3.3 when COM-002-4 becomes enforceable on 7/1/2016.~~

~~All operators should use their name and company name when answering a phone call. This will ensure that the caller has the correct party prior to communication beginning.~~

~~PJM system operators and member transmission and generation operators should always practice three-part communications to avoid errors and miscommunications.~~

Comment [SK1]: Moved to 4.2.1

Formatted: PJM\_Heading\_3 Char



~~Three-part communications consists of the sender delivering the message to the receiver. The receiver repeating back the information to the sender while questioning for clarification. The original sender will confirm if the receiver has the message correct.~~

~~Three-part communications is required when the operators are exchanging important operational information. A partial list of these situations is presented below. If there is a question about whether the situation warrants the use of three-part communication, it should be used.~~

~~Examples of generation operations utilizing three-part communications:~~

- ~~• Unit starts~~
- ~~• Unit trips or releases~~
- ~~• Requests from PJM for additional generation~~
- ~~• Outages (eDART ticket numbers and unit designations)~~
- ~~• Synchronized Reserve or Regulation assignments~~
- ~~• Manual dispatch of generation~~
- ~~• Emergency operations related information~~

~~Examples of transmission operations utilizing three-part communications:~~

- ~~• Transmission switching~~
- ~~• Capacitor switching~~
- ~~• Outages (eDART ticket number and line numbers, not every circuit breaker)~~
- ~~• PCLLRW issuance and cancellation~~
- ~~• TLR curtailments in transactions~~
- ~~• Market to Market redispatch~~
- ~~• Emergency operations related information~~

~~In addition, it would be expected that anytime information is exchanged that is not thoroughly understood (whether it be due to speech impediment, accent, or because information was not clearly articulated, etc.), a repeat back should be requested and followed up on, constituting three-part communications. The use of the term “directive” should be used if additional clarification is needed—either by the issuer or the receiver of the critical communication.~~

~~In order to facilitate the clear communication of Transmission Operations instructions to field personnel, there is also a requirement for Transmission~~

Formatted: PJM\_Heading\_3 Char



~~Owner operators to use three-part communications to communicate switching instructions associated with BES facilities.~~

~~PJM All call messages do NOT require repeating as the receiver can repeat the message via telephone keypad selection. It is the responsibility of any party receiving information via an all call to follow up with the initiator of the information if there is not a clear understanding of the message. PJM receives confirmation of member confirmation through electronic means and will follow up with individual companies if appropriate.~~

~~PJM also performs communication audits of operator conversations to ensure that three-part communication is being consistently utilized.~~

~~In addition, it is possible for PJM to issue directives in each of its operational roles (as the RC, TOP, or BA). PJM Directives are defined as instructions from PJM to its members to take actions to control Inter-Regional Operating Limits (IROL) or initiate load dump measures for capacity or transmission emergencies as described in PJM Manual 13, Section 2 and Section 5. These Directives could be issued through a PJM All Call or through direct voice communications to the applicable member companies. The following are examples of communications which could be considered Directives by PJM (PJM Directives require 3 part communication):~~

~~• PJM as Reliability Coordinator:~~

~~• Direct actions to implement load dump plans to control IROLs~~

~~• PJM as Transmission Operator:~~

~~• Directing Generation to manually lower or increase unit output outside of automated dispatch signals to control IROLs~~

~~• Directing selected generation to trip off-line to control IROLs~~

~~• Direct actions to implement load dump plans for the purposes of transmission control~~

~~• PJM as Balancing Authority:~~

~~• Directing Generation to deploy synchronous reserves to restore DCS after a unit trip to control an IROL~~

~~• Direct actions to implement load dump plans to rectify capacity deficiencies.~~

~~• All operators must be cognizant of the time constraints associated with system operations such as limits over emergency ratings, load dumps, IROLs, DCS events, etc. It will often be necessary to quickly confirm status, ratings, output, options, etc. prior to initiating the directive or operational instruction. Once this is complete, the PJM operator will initiate the instruction by:~~

~~• Restating the desired action~~

Formatted: PJM\_Heading\_3 Char



- ~~Receiving and or requesting the repeat back by the receiver~~
- ~~Acknowledging the correct repeat back~~
- ~~From this point on, the receiving operator should be focused on implementing the directed actions.~~

~~NOTE: PJM members are obligated to follow all operational instructions or Directives as described in the PJM Operating Agreement, NERC Standards and PJM Manuals. If a PJM member is unable to comply with PJM instructions, the member should notify PJM of the restriction (based on safety, loss of life, or damage to equipment) so PJM is able to implement other actions to alleviate the operation problems.~~

Formatted: PJM\_Heading\_3 Char, Indent: Left: 0"  
Formatted: PJM\_Heading\_3 Char

#### 4.4 Interpersonal Communication (Voice Communication) Capability Failure

In the event that PJM detects a failure of its Interpersonal Communication (voice communication) capability that lasts 30 minutes or longer, PJM will notify member Transmission Owners, Generator Operators, adjacent Reliability Coordinators, Balancing Authorities, and synchronously-connected Transmission Operators within 60 minutes of the detection of the failure of its Interpersonal Communication capability.

Each Transmission Owner shall notify PJM and the following entities within 60 minutes of the detection of a failure of the Transmission Owner's Interpersonal Communication (voice communication) capability that lasts 30 minutes or longer:

- Distribution Providers in the Transmission Owner area
- Generator Operators in the Transmission Owner area
- Neighboring Transmission Owners external to PJM with standing Interpersonal Communication paths to the PJM Transmission Owner

#### 4.5 PJM Communication Protocol

##### 4.5.1 Purpose

PJM has developed these Communication Protocols in accordance with NERC Standard COM-002-4. The purpose of these protocols is to improve communications for the issuance of Operating Instructions to reduce the possibility of miscommunication that could lead to action or inaction harmful to the reliability of the Bulk Electric System (BES).

##### 4.5.2 Applicability

These protocols apply to all PJM operators and operators/dispatchers at member companies that issue and/or receive Operating Instructions.





### 4.5.3 Definitions

Operating Instruction – A command by operating personnel responsible for the Real-time operation of the interconnected Bulk Electric System to change or preserve the state, status, output, or input of an Element of the Bulk Electric System or Facility of the Bulk Electric System.

Note: A discussion of general information and of potential options or alternatives to resolve Bulk Electric System operating concerns is not a command and is not considered an Operating Instruction.

Examples of Operating Instructions (not all-inclusive):

- Ordering transmission equipment in or out of service
- Load shed instructions
- Ordering generation MW/MVAR output changes
- Ordering generation online or offline (either in real time or scheduled in advance)

Examples of communications not considered Operating Instructions (not all-inclusive):

- Confirmation of ratings or power flows
- Discussions of operational options
- Discussions of generator status or availability

Three Part Communication – Verbal communication process between an issuer and receiver whereby:

1. Issuer clearly delivers the message
2. Receiver repeats (not necessarily verbatim) the message OR
  - a. requests the issuer to reissue the message
3. Issuer confirms the receiver's response if the repeated message was correct OR
  - a. reissues the message if the repeated information was incorrect or if requested by the receiver OR
  - b. takes an alternative action if a response is not received or if the message was not understood by the receiver.

Note: It is the issuer's responsibility to ensure the key components of the message were repeated correctly.



All-Call – Verbal message delivered to PJM members via a one-way single party to multiple parties burst messaging system.

#### 4.5.4 Communication Protocols

1. All operators should use their last name (at a minimum) and company name when answering a phone call and identify themselves using their last name (at a minimum) and company when initiating a phone call.
2. All operators shall issue and receive written and oral Operating Instructions using the English language.
3. All operators shall issue and receive Operating Instructions using Three Part Communication (as defined above) during both normal and emergency operations.
4. PJM shall confirm or verify that an Operating Instruction was received by at least one party when delivering the Operating Instruction via the All-Call system.

Note: PJM Members can acknowledge receipt and understanding of All-Call messages by pressing two on the telephone keypad.

Note: PJM operators can verify receipt of All-Call by recipients on the All-Call system and via an email report from the All-Call system.

Note: When delivering All-Call messages, PJM operators will announce, their name (or position) and the type and number of messages at the start of the All-Call. The All-Call will be concluded with the operators name (or position) and "That is all".

5. For Operating Instructions that are issued with a time reference, the time identification shall be in 24 hour format. For Operating Instructions to entities in different time zones, the appropriate time zone shall be included (i.e. 17:00 EDT). Time identification is not required for Operating Instructions that are expected to be implemented immediately.
6. For Operating Instructions that reference transmission lines (including Transmission interface Elements and Transmission interface Facilities), the line identification shall include Terminal to Terminal designation, voltage level and line number. When referencing other equipment at a substation in an Operating Instruction, the designation shall include substation name, equipment number and equipment type. Voltage level can be used as a clarifier if needed. When referencing a generating unit in an Operating Instruction, the designation shall include the generating station name and unit number.



Examples:

- Transmission Line: Bedington-Black Oak 500 kV 544 line
- Substation Equipment: Limerick 325 CB (500 kV)

7. For Operating Instructions that reference alphanumeric information, phonetically correct alphanumeric clarifiers can be used, if needed, to minimize misinterpretation.

Note 1: PJM members are obligated to follow all instructions as described in the PJM Operating Agreement, NERC Standards and PJM Manuals. If a PJM member is unable to comply with a PJM Operating Instruction, the member should notify PJM of the restriction (based on safety, loss of life, damage to equipment, or regulatory or statutory requirements) so PJM is able to implement other actions to alleviate the operational problems.

Note 2: Refer to M-13, Section 5 for communications of long lead unit commitments.

#### 4.5.5 Communications Protocols Training Requirements

All operators listed in section 4.53.2 (Applicability) are required to complete initial training on these Communication Protocols and Definitions prior to issuing and/or receiving Operating Instructions. PJM will make this training available through the PJM LMS and track operator completion of this required training. Member company training liaisons will also ensure completion of this training by the required operators.

#### 4.5.6 Communication Protocol Assessment

Each entity listed in section 4.53.2 (Applicability) shall assess adherence to these Communication Protocols following the process below.

This assessment of the individual operators will:

- Evaluate each of an entity's operators/dispatchers adherence to the Communication Protocols outlined in section 4.53.4 at least once every 12 months.
- Provide feedback to each operator based on the results of this assessment.
- Take corrective actions, as deemed necessary by the entity, to address deviations from the documented protocols.
- These corrective actions could include performance coaching, additional training or other methods determined by the entity as effective in correcting the identified deficiency.

Note: If the assessment reveals that these protocols were not used in an Emergency, it may constitute a violation of COM-002-4, R5, R6 or R7.



PJM will utilize the System Operations Subcommittee to assess the effectiveness of these Communication Protocols at least once every 12 calendar months.

The assessment of the Communication Protocols will:

- Evaluate any operating errors or events that involved communication errors or misunderstandings
- Evaluate the effectiveness and efficiency of operator communications utilizing the Communication Protocols.
- Evaluate whether or not any modifications to the Communication Protocols are required (while ensuring continued compliance with COM-002-4).



## Section 5: Metering System Requirements

Welcome to the *Metering Requirements* section of the PJM Manual. In this section you will find the following information:

- A general description of the different types of meters in use in PJM and the purpose of having metering requirements (see Section 5.1)
- The requirements for the different types of metering systems (see Sections 5.2 and 5.3).

### 5.1 Purpose & Criteria

The purpose of these PJM metering requirements is to ensure all electricity metering equipment is systems are installed, operated and maintained to provide PJM with system control and monitoring data and an accurate record of the energy quantities supplied to and received by all market parties. Each PJM Member is responsible for properly maintaining its metering and telemetry equipment metering systems. This section provides the minimum requirements for metering data - such as MW, MVAR, and kV, AMP (for Geomagnetic Induced Currents), HZ, and MWH values - when communicating information to PJM.

The minimum metering requirements specified in this section do not supersede more restrictive agreements. In cases in which metering requirements or standards differ, the most restrictive criteria takes precedence. More specific requirements or standards may be required by local, state, or federal regulations, host utilities, service providers, or as are mutually agreed upon between parties.

This section is not comprehensive in regards to where metering and telemetry is required. Some subsections, such as 5.2.1.1 External Tie Lines, does dictate minimum required metering placement and location. However other governing documents - for example Interconnection Agreements, standards, or other PJM Manuals - may also require metering at specific locations or for specific criteria. In those cases the metering system performance requirements are still here in Manual 01, Section 5.

Refer to PJM Manual 11: Energy & Ancillary Services Market Operations, Section 10: Overview of the Demand Resource Participation for metering requirements specific to Demand Resources.

Refer to PJM Manual 14D: Generation for related metering and telemetry requirements.

#### 5.1.1 Applicability by Date

The applicability of Section 5 Metering Requirements depends on the installation date of the equipment in question and the start date of each requirement.

Formatted: PJM\_Heading\_2 Char

Formatted: Font:

Formatted: Font:

Formatted: Font:



The effective date is December 1st, 1997, or alternately the date of integration into PJM for companies that integrated after December 1st 1997, for the following requirements:

Formatted: Not Superscript/ Subscript

Formatted: Not Superscript/ Subscript

~~5.3 Billing Meters (Accumulator Data)~~

- 5.2 System Control and Monitoring, External Tie Lines, MW and MVAR req.
- ~~5.2 System Control and Monitoring, System Control (Balancing), MW and MVAR req.~~
- ~~5.2 System Control and Monitoring, Transmissions Operations, MW and MVAR req.~~
- 5.2 System Control and Monitoring, Area Regulation, MW and MVAR req.
- 5.2 System Control and Monitoring, Generation Dispatch, MW and MVAR req.
- 5.2 System Control and Monitoring, Generation Reserve, MW and MVAR req.
- 5.2 System Control and Monitoring, System Restoration, MW and MVAR req.
- 5.3 Billing (Accumulator Data)

Formatted: (none)

The effective date is (pub. Date of M01 R33) for the following requirements:

- 5.2.6 General Telemetry, MW and MVAR req.
- ~~Section 5.2 System Control and Monitoring, All kV requirements except for 5.2 External Tie Lines~~
- 5.2.1 System Control and Monitoring, all Tie Line Primary Meter telemetry requirements for "dual port" meters that are required to telemeter directly to two entities (note that due to NERC BAL-005 requirements, for any External Tie Line both BAs must still have access to system control & monitoring data from the primary meter, regardless of the telemetry path)
- 5.2.1.3 System Control and Monitoring, Control Zone Ties, the Scan frequency requirement: for any Tie Lines less than 100 kV

Formatted: (none)

Formatted: (none)

Formatted: (none)

Equipment Metering systems that is are grandfathered because the installation date precedes the effective date of the requirements can still be caused to be investigated and possibly redressed according to Section 5.2.8, Accuracy Investigations.

Replacing, upgrading or modifying existing grandfathered equipment metering systems may cause the equipment installation date to be reset and the equipment system to be no longer grandfathered. This includes any work that substantially modifies changes the equipment system or individual components of the system to an extent that re-design or new design already being performed creates a reasonable opportunity to bring the equipment system into compliance with the latest requirements. Examples of substantial modification include replacement of CTs, PTs, or IEDs, or similar related work. It is recognized that replacement of individual components with existing stocks of in-kind spare parts or stocks of newer but functionally similar parts may not present be a reasonable opportunity to bring the whole system up to these the latest performance requirements. Other architectural



limitations such as physical space limits may also preclude a reasonable way to bring the overall system up to these performance requirements. In these cases the equipment may remain grandfathered as long as those limiting conditions prevail.

### 5.1.2 Applicability by Equipment

In Section 5: Metering Requirements the word “metering” means any instrument or system of components that measures. More specifically, anything that measures something relevant to electric power – MW, MVAR, kV, AMP (for Geomagnetic Induced Currents), HZ, and MWH values MW, MVAR, kV, Amps, MWHR – and is the source of that measurement for PJM is considered a “meter” in Section 5. This may include devices that are technically considered an actual electrical meter, which satisfy ANSI standards for meters, or furthermore a revenue grade meter which tend to meet the highest accuracy thresholds. This may also include devices that are *not* typically considered an electrical meter, such as protective relays or transducers, which by design and function will often have lower accuracy than an actual meter; this is sometimes referred to as “operational metering”. The requirements described in Section 5 either apply or do not apply to any given device or system of devices or components based on the provided criteria and definitions of the data the device or system provides, regardless of what the actual devices or components are-is.

It is intended that all measurements being provided to PJM fall into at least one category in Section 5 for clear and explicit requirements. In the case a metering system falls into more than one category, the more restrictive requirements apply. If a measurement provided to PJM does not clearly fall into any category, the equipment owner should contact PJM for clarification.

In general these Section 5 requirements applies to generation and transmission, not distribution. However voltage level is not a full proof indicator of applicability for transmission and distribution owners. All equipment at a Designated Facility or PJM OAT Tariff Facility or a facility otherwise participating in any PJM market (ex. generation facility in capacity market) must comply with these requirements. A list of transmission facilities, including a flag for PJM OAT Tariff Facility status, is available at:

<http://www.pjm.com/markets-and-operations/ops-analysis/transmission-facilities.aspx>

### 5.1.3 Accuracy Determination

Accuracy is one of the fundamental requirements of metering. Accuracy is expressed in this section as a percentage to be interpreted as the maximum acceptable percent greater than or less than true value.

Because any metering system may be composed of many subcomponents and subcomponents that themselves have their own accuracy ratings and performance characteristics that ~~but still contribute to resulting end measurement~~ the accuracy of the system, these requirements apply to affect all components of the system. The

Formatted: PJM\_Heading\_3 Char

Formatted: Font: Italic

Formatted: PJM\_Heading\_3 Char



metering system to which these requirement apply includes everything from first analog measurement to first digitization of the measurement, where at which point it is expected that no further loss of accuracy will occur downstream.

Metering system performance is a complex metric with many factors, making consistent calculation and determination difficult across all systems. For this reason the accuracy requirement applicable to a metering system may be met by satisfying at least one of any three methodologies:

1. Calculate Using Nameplate Accuracy:

The nameplate accuracy of all components are calculated into the expected system accuracy by taking the square root of the sum of all inaccuracy percentages squared.

$$\text{Total System Error} = \sqrt{(\text{CompError}_1^2 + \text{CompError}_2^2 + \dots)}$$

2. Calculate Using Designed and As-built Loads Calculation:

Using the same calculation as above, but the error derives not just from simple nameplate rating for error, but the calculated error of each component for a certain loading point consistent with owning company's design philosophy. The calculated error should take into account important design elements such as the CT turns ratio and burden. It is expected that the design loading point would fall within a range of 70% to 130% of nominal system conditions, where nominal system conditions is derived either from the nameplate rating of the equipment or the thermal load limit for the related equipment as submitted to PJM operations. Companies may request review and approval from PJM for loading points not falling within 70% to 130%.

3. Testing:

Using a third party qualified tester to field test actual equipment or otherwise physically verify performance to ascertain the overall system error with reasonable confidence. Tester should be able to provide official test results including methodology and measurements.

**5.1.4 Preference for Best Available Accuracy**

The efficiency, reliability and fairness of PJM operations and markets for all members and customers are impacted by the accuracy of the metering covered in Section 5. Wherever possible, the most accurate metering available should be telemetered to PJM. Where a settlement meter can provide higher accuracy real-time data than other devices making the same measurement, the higher accuracy data is preferred. This is especially true for Tie Lines or other points of large energy transaction, where the real-time telemetry data is often used to verify revenue grade billing data.

Formatted: PJM\_Normal, Numbered + Level: 1 + Numbering Style: 1, 2, 3, ... + Start at: 1 + Alignment: Left + Aligned at: 0.25" + Tab after: 0.5" + Indent at: 0.5"

Formatted: PJM\_Heading\_3 Char, No bullets or numbering

Formatted: PJM\_Heading\_3 Char





### 5.1.5 Metering and Telemetry

Formatted: PJM\_Heading\_3 Char

Telemetry is the measuring and transmission of data across and between diverse companies' systems and networks. The metering requirements in this section often have relation to telemetry requirements, which are also captured in PJM Manual 14D for generation.

The scan frequency requirements presented here are to ensure the rate at which PJM can poll the serving entity for the data. However, if the upstream system has any link scans at a slower rate than the final PJM polling rate, then there is no benefit of PJM scanning at a faster rate. For example if a meter only measures a real time value at once every 10 seconds, there is no benefit for PJM to scan that value at once every 4 seconds. Therefore it is preferred that the telemetry system between the meter and PJM not present any measurement or scan rate limitations that would reduce the actual rate of update to PJM.

Precision is how exact a value is. Data value precision is often described by how many decimal places are provided for a given value. Telemetry precision requirements are further detailed in Manual 14D for generation. The telemetry system between the metering system and PJM should not at any point reduce data precision to a degree that would effectively reduce the accuracy of the telemetered values received by PJM. Telemetry precision requirements for generation are further detailed in Manual 14D.

Latency is not directly addressed in PJM Manuals as a requirement ~~was~~ of the publication of this manual revision. However it is preferred and beneficial that data latency, the time between measurement and PJM receipt of data, be kept as low as reasonably possible.

### 5.1.6 Types of Metering Systemss

Formatted: PJM\_Heading\_3 Char

There are two major types of metering systemss defined in this Section, characterized by use and data type.

1. System Control and Monitoring (Instantaneous data): PJM dispatch utilizes data from these metering systemss to continuously match generation with demand and to assure system security. An important subtype of System Control and Monitoring meterings is System Control (Balancing) meterings installed on an internal or external Tie Lines.

Formatted: PJM\_Normal, Numbered + Level: 1 + Numbering Style: 1, 2, 3, ... + Start at: 1 + Alignment: Left + Aligned at: 0.25" + Indent at: 0.5"

Requirements for System Control and Monitoring ~~Meters and meter data~~ are specified in Section 5.2.

Formatted: No bullets or numbering

2. Billing Meters (Accumulator data): PJM utilizes data from these meters to settle transactions between market participants. Billing meters are often referred to as being "revenue grade", would typically provide "interval data", and often measure energy at the Point of Interconnection (POI) between two parties.

Formatted: Numbered + Level: 1 + Numbering Style: 1, 2, 3, ... + Start at: 1 + Alignment: Left + Aligned at: 0.25" + Indent at: 0.5"

Comment [n2]: Added per Item #5



Requirements for Billing Meterings and meter data are specified in Section 5.3.

Formatted: No bullets or numbering

## **5.2 System Control and Monitoring (Instantaneous data)**

Formatted: PJM\_Heading\_2 Char

There are six classes of system control and monitoring data:

- Tie Lines
- Area Regulation
- Generation Dispatch
- Generation Reserve
- System Restoration
- General Telemetry

Formatted: (none)

For each class of System Control and Monitoring data the metering system accuracy and periodicity of data transmission is specified in each section.

### **5.2.1 Tie Lines**

Formatted: PJM\_Heading\_3 Char

PJM defines a Tie Line as a circuit connecting two balancing authority areas, control areas, or fully metered electric system regions. The “fully metered” distinction refers to an electric system region having the capability to report hourly revenue energy flows for all its boundary ties, as well as the hourly revenue net output of all the generators within the region to PJM via Power Meter. Accurate modeling and data acquisition for Tie Lines are particularly significant due to their impact on Automatic Generation Control (AGC) parameter calculations, network model connectivity, and market settlements.

Tie Lines have some special general-telemetry and network requirements related to exchanging exchange of data over a network appropriately matched to the operational importance of the asset. These requirements are in regard to the actual final connection to PJM and do not regard any aspect of telemetry further upstream to the target facility, though it is preferred that the entire path of the data be similarly regarded for reliability and uptime. Often the PJM network for a Tie Line or Dynamic Transfer will already be in place for an ICCP link and sufficient for use, but for new circuits this criteria will apply. This table of network requirements is complimentary with the Telemetry requirements detailed elsewhere in Section 5.2.1.

<u><b>Tie Line Voltage or Power</b></u>	<u><b>Allowed Networks</b></u> <u><b>(supported data protocols)</b></u>
<u>Tie Line ≥ 69kV</u> <u>Dynamic Transfer ≥ 100 MW</u>	<u>Redundant PJMnet (ICCP or DNP)</u>



<a href="#">Dynamic Transfer &lt; 100 MW and ≥ 10 MW</a>	<a href="#">Redundant PJMnet (ICCP or DNP)</a> <a href="#">Non-redundant PJMnet (ICCP or DNP)</a>
<a href="#">Tie Line &lt; 69kV</a> <a href="#">Dynamic Transfer &lt; 10 MW</a>	<a href="#">Redundant PJMnet (ICCP or DNP)</a> <a href="#">Non-redundant PJMnet (ICCP or DNP)</a> <a href="#">Internet (DNP)</a>

There are 43 main categories of Tie Lines recognized by PJM for varying operational and settlements purposes - External Tie Lines, Dynamic Transfers, and Internal Tie Lines and Special Cases, each of which will be defined in this section. Dynamic Transfers are not strictly Tie Lines in the physical sense, but have many overlapping operational and market considerations, and so are categorized as a Tie Line here.

For all Tie Lines the Primary Meter is the meter on the primary side of the Tie Line. The Backup Meter is on the same side of the Tie Line as the Primary Meter. The Secondary Meter is on the side of the Tie Line opposite the Primary Meter. PJM requirements for a “backup/secondary” meter can be satisfied with either a Backup Meter or Secondary Meter.

Any Tie Line as defined in this section are considered Tie Line even if the line is below typical BES voltage levels (≥ 100kV). Refer to 5.1.1 Applicability by Date for related details.

Note:  
The TO is required to submit new tie lines requests before the 1st of the month prior to the month of the requested tie line being energized at the PJM SOS meeting. The request should identify the primary side metering point and expected date the line is to be energized.  
All required telemetry shall be available 2 weeks in advance of the Tie Line being energized.  
All Tie Line ICCP Object ID changes shall be communicated to PJM two weeks in advance of change.

Note:  
Metering issues or outages impacting accuracy of available telemetry should be brought to PJM’s attention by the TO or GO owning the metering along with an estimate on when the issues will be resolved.

Note:  
Tie Line Primary Meters that telemeter to more than one party are often referred to as “dual ported”. Prevailing NERC CIP standards may or may not make dual porting a meter difficult or impossible, depending on each individual interpretation of the standards and

Formatted: Font: Not Bold

Formatted: Font: Not Bold

Formatted: Font: Not Bold

Formatted: Indent: Left: 0"

Formatted Table

Formatted: Font: Not Bold



circumstance. Notify PJM of exceptions taken to Tie Line Primary Meter requirements if it is interpreted they conflict with NERC CIP standards for mutual review and documentation.

Formatted: PJM\_Normal

### 5.2.1.1 External Tie Lines

External Tie Lines are circuits that connect the PJM Balancing Authority area with an external Balancing Authority area. They are a direct input into the Actual Net Interchange (NI<sub>A</sub>) component of the PJM ACE equation. This is ~~the~~ to align PJM tie line category ~~in line~~ with the NERC definition of Tie Lines (as set forth within the NERC Glossary of Terms) to which all related NERC Standards requirements are applicable.

External Tie Line Requirements:

A primary meter and a backup or secondary meter is required.

Meter	Accuracy	Scan Frequency	Telemetry
Primary	+/- 2%	4 sec. or less between scans	Primary meter telemeters to both TOs at each end of the line. Both TOs telemeter to their respective BA. BAs telemeter to each other.
Backup /Secondary	+/- 5%	4 sec. or less between scans	Backup/Secondary meter telemeters to the secondary end TO. TO telemeters to the secondary end BA. The BA telemeters to the primary end BA.

Formatted: Font: Not Bold

Formatted: Font: Not Bold

See Attachment D: Exhibit 1 & 2 for example.

External Tie Lines have additional NERC BAL requirements. The NERC accuracy guideline results in an overall metering accuracy better than 2% and satisfies the NERC BAL standard.

<u>Primary Transducer</u>	<u>Accuracy Guideline</u>
<u>Frequency Transducers</u>	<u>0.001 Hz</u>
<u>Potential Transformers</u>	<u>0.30% of Full Scale</u>
<u>Current Transformers</u>	<u>0.50% of Full Scale</u>



<b>MW/MVAR/Voltage Transducers</b>	<u>0.25% of Full Scale</u>
<b>Remote Terminal Units (A/D)</b>	<u>0.25% of Full Scale</u>

Exhibit 1: Primary Transducer Accuracy Guidelines

Note: NERC Frequency Transducer requirements apply only to the PJM Time Error devices in the PJM Control Center. The requirements do not apply to telemetered frequency measurements provided to PJM. However, PJM still receives and references frequency telemetry from members. The highest accuracy frequency available is requested.

5.2.1.2 Dynamic Transfers

Dynamic Transfers (Pseudo-Ties and Dynamic Schedules) are special cases of energy transfers between the PJM balancing authority area and an external balancing authority area. They are virtual External ties defined in PJM Manual M-12, Attachment F and are referenced in this Tie Line section due to their comparable impact on the PJM Area Control Error (ACE) equation.

Pseudo-ties are included in the Actual Net Interchange component (NI<sub>A</sub>) of the PJM ACE equation in the same manner as an External Tie Line, while Dynamic Schedules are included in the Scheduled Net Interchange component (NI<sub>S</sub>) in the same manner as an Interchange Schedule.

Note:

For PJM Members any dynamic transfers over 10 MW use PJMnet for telemetry. See Manual 14D for more information about PJMnet. PJM must be notified as soon as possible of new Dynamic Schedules and PJM will determine if the time line is achievable.

Pseudo-Tie and Dynamic Schedule Requirements:

A primary meter is required.

<u>Meter</u>	<u>Accuracy</u>	<u>Scan Freq.</u>	<u>Telemetry</u>
<u>Primary</u>	<u>+/- 2%</u>	<u>4 sec. or less between scans (2 sec. preferred)</u>	<u>One primary meter is at each Point of Interconnection. Each primary meter telemeters to the owning MOC/TO. The MOC/TO telemeters to PJM and the native BA.</u>

See Attachment D: Exhibit 32 for example.

5.2.1.3 Internal Tie Lines

Formatted: PJM\_Caption

Formatted: PJM\_Note

Formatted Table

Formatted: PJM\_Heading\_4

Formatted: PJM\_Note, Space After: 0 pt, Line spacing: single

Formatted Table

Formatted: Font: Not Bold

Formatted: PJM\_Normal, Space After: 0 pt, Line spacing: single

Formatted: PJM\_Normal



These Tie Lines connect zones or systems within the PJM Balancing Authority Control Area. They do not directly affect the PJM ACE equation, and are more significant for internal PJM modeling, AGC and other operational parameter calculations, and market settlements.

Internal Tie Lines Include:

- Control Zone Tie Lines
- Transmission Zone Tie Lines
- Fully Metered EDC Tie Lines
- East EHV Tie Lines

Control Zone Tie Lines

This can be defined as a circuit connecting two Control Zones within the PJM RTO. PJM defines a Control Zone as a subset of a control area that has a separate regulation and spinning reserve requirement based on NERC criteria. The currently defined PJM Control Zones are:

- MAD (PJM Mid-Atlantic)
- ~~FE South (APS)~~ (FE South)
- ~~FE West (ATSI)~~ (FE West)
- ~~AEP~~ (American Electric Power)
- ~~DOM~~ (Dominion, Virginia Electric and Power Company)
- ~~DEOK~~ (Duke Energy Ohio Kentucky)
- ~~EKPC~~ (East Kentucky Power Cooperative)
- ~~ComEd~~ (Commonwealth Edison Company)
- ~~Dayton~~ (Dayton Power and Light Company)
- ~~and DLCO~~ (DUQ, Duquesne Lighting Company)

It is at this level of granularity, from one station within Control Zone A to another station within Control Zone B, that Internal Ties are defined for PJM AGC Tie Line monitoring. Control Zone Tie Lines are significant for PJM AGC calculations, as they are used to determine Control Zone Loads & Generation Transfers, which in turn serve as inputs into PJM Load Forecast applications.

Control Zone Tie Line Requirements:

A primary meter and backup or secondary meter is required.

<u>Meter</u>	<u>Accuracy</u>	<u>Scan Freq.</u>	<u>Telemetry</u>
--------------	-----------------	-------------------	------------------

Formatted: Indent: Left: 0.5", No bullets or numbering

Formatted: Bulleted + Level: 1 + Aligned at: 0.25" + Indent at: 0.5"



<b>Primary</b>	<u>+/- 2%</u>	<u>4 sec. or less between scans (2 sec. preferred)</u>	<u>A meter at each side of the line. One of the meters is primary. The primary meter telemeters to the primary end TO. Primary end TO telemeters to PJM.</u>
<b>Backup /Secondary</b>	<u>+/- 5%</u>	<u>4 sec. or less between scans (2 sec. preferred)</u>	<u>A meter at each side of the line. One of the meters is backup. The backup/secondary meter telemeters to the secondary end TO. Secondary end TO telemeters to PJM.</u>

See Attachment D: Exhibit 43 for example.

It is optional but preferred that the primary meter also telemeters to the secondary end TO and the secondary end TO telemeters to PJM.

A tie between control zones as described in this section are considered a control zone tie even if the line is below typical BES voltage levels ( $\geq 100\text{kV}$ ). Refer to 5.1.1 Applicability by Date.

#### Transmission Zone Tie Lines

This can be defined as a circuit connecting two Transmission Zones within the PJM RTO. PJM Control Zones are also Transmission Zones, with the exception of the PJM Mid-Atlantic Control Zone, which can be is further subdivided into the following Transmission Zones:—

- AEC (Atlantic City Electric Company)
- -BG&E (Baltimore Gas and Electric Company)G
- -DPL (Delmarva Power and Light Company)
- -JCPL (Jersey Central Power and Light Company)
- -ME (Metropolitan Edison Company)
- -PE (PECO)
- -PN (PENELEC, Pennsylvania Electric Company)
- -PPL (PPL Electric Utilities Company)
- -PEPCO (Potomac Electric Power Company)
- -CED Rocksprings, ODEC, HTP, Neptune, Linden VFT, PSE&G (Public Service Electric and Gas Company)
- -RECO (Rockland Electric)
- -and UGI (UGI Utilities Inc.):

Formatted: PJM\_Normal

Formatted: PJM\_Normal, Bulleted + Level: 1 + Aligned at: 0.25" + Indent at: 0.5"



Other special assets are sometimes treated like a Transmission Zone, such as generation facilities or DC to DC converters that own and operate their own transmission facilities. These facilities also must these Transmission Zone metering system requirements.

Formatted: PJM\_Normal

Therefore, all Control Zone Tie Lines are Transmission Zone Tie Lines, although the reverse is not always true. Transmission Zone Tie Lines are significant for state estimation of transmission zone loads and load busses in the PJM EMS model, transmission zone load forecasts, and zonal load settlement calculations.

Note: The term "Transmission Zone" is not strictly defined in any PJM Manual or Agreement. However, a Transmission Zone can be loosely defined as a zone encompassing all the facilities owned by a recognized PJM Transmission Owner. A Transmission Owner is defined in PJM M35 as a Member that owns or leases, with rights equivalent to ownership, Transmission Facilities. Taking transmission service is not sufficient to qualify a Member as a Transmission Owner.

Formatted: Indent: Left: 0"

Formatted Table

#### Fully Metered EDC Tie Lines

This can be defined as a Tie Line connecting two Fully Metered Electric Distribution Companies (EDCs) within PJM. An EDC is defined in PJM M35 as a PJM Member that owns or leases with rights equivalent to ownership electric distribution facilities that are used to provide electric distribution service to electric load within the PJM Control Area. Most Transmission Zones are also Fully Metered EDC's, with some exceptions, where the Transmission Zone is split into two or more sub-regions which are each identified as an EDC. It is at this lowest level of granularity, from one station within an EDC to another station within a different EDC, that PowerMeter ties are defined and tracked for settlements purposes. Fully Metered EDC Tie Lines are significant for state estimation of transmission zone loads and load busses in the PJM EMS model, transmission zone load forecasts, and zonal load settlement calculations.

Formatted: PJM\_Normal

Note: The term "fully metered EDC" is also used in PJM M28 and the PJM OAT Tariff. Consistent with all other descriptions of categories of metering systems in M01 Section 5, this description is not intended for use in approving or determining the validity of fully metered EDCs.

Formatted: PJM\_Normal Char

#### East EHV Tie Line

Specifically for the PJM Mid-Atlantic region, the East EHV (Extra-High Voltage) Tie Line is also recognized. This can be defined as a tie connecting the PJM East EHV 500 kV network with the remaining bulk electric system. It exists as a result of the joint ownership by multiple PJM Transmission Owners of the PJM East 500 kV

Formatted: PJM\_Normal





network. For settlements purposes, East EHV Tie Lines are defined in order to facilitate PJM's East EHV loss calculations, and transmission zonal load settlements.

Transmission Zone, Fully-Metered EDC, East EHV Tie Line Requirements:

A primary meter is required.

<u>Meter</u>	<u>Accuracy</u>	<u>Scan Freq.</u>	<u>Telemetry</u>
<u>Primary</u>	<u>+/- 2%</u>	<u>10 sec. or less between scans</u>	<u>The primary meter telemeters to the owning TO and other end TO. Both TOs telemeter to PJM.</u>

If for any reason it is not possible or preferred to "dual port" the primary meter such that two separate parties independently receive data, then the following alternative conditions including two "single port" meters can be met to satisfy PJM requirements.

<u>Meter</u>	<u>Accuracy</u>	<u>Scan Freq.</u>	<u>Telemetry</u>
<u>Primary</u>	<u>+/- 2%</u>	<u>10 sec. or less between scans</u>	<u>The primary meter telemeters to the primary end TO. Primary end TO telemeters to PJM.</u>
<u>Backup /Secondary</u>	<u>+/- 5%</u>	<u>10 sec. or less between scans</u>	<u>The backup/secondary meter telemeters to the secondary end TO. Secondary end TO telemeters to PJM.</u>

5.2.1.4 Special Cases and Transformer Ties

Any ties that are actually a transformer and not a transmission line are considered a Transformer Tie. Transformer Ties may be external or internal depending on their use.

A primary meter is required.

<u>Meter</u>	<u>Accuracy</u>	<u>Scan Freq.</u>	<u>Telemetry</u>
<u>Primary</u>	<u>+/- 2%</u>	<u>4 sec. or less between scans (2 sec. preferred)</u>	<u>The meter telemeters to the owning TO/BA and other end TO/BA. Both TOs telemeter to PJM.</u>

- Comment [n3]:
- Comment [n4]: checking
- Formatted: Font: Not Bold
- Formatted: PJM\_Heading\_4, Space After: 0 pt, No bullets or numbering
- Formatted: Not Highlight
- Formatted: Not Highlight
- Formatted: Not Highlight

Formatted: PJM\_Normal, Space After: 0 pt, No bullets or numbering



See Attachment D: Exhibit 54 for example.

If for any reason it is not possible or preferred to “dual port” the primary meter such that two separate parties independently receive data, then the following alternative conditions including two “single port” meters can be met to satisfy PJM requirements.

Formatted: PJM\_Normal Char, Font: Not Bold  
Formatted: Font: Not Bold  
Formatted: PJM\_Normal Char, Font: Not Bold

<u>Meter</u>	<u>Accuracy</u>	<u>Scan Freq.</u>	<u>Telemetry</u>
<u>Primary</u>	<u>+/- 2%</u>	<u>10 sec. or less between scans</u>	<u>The primary meter telemeters to the primary end TO. Primary end TO telemeters to PJM.</u>
<u>Backup /Secondary</u>	<u>+/- 5%</u>	<u>10 sec. or less between scans</u>	<u>The backup/secondary meter telemeters to the secondary end TO. Secondary end TO telemeters to PJM.</u>

Formatted: PJM\_Normal

A transformer tie often has unique topography requiring special considerations for metering and telemetry. For example actual measurement of secondary side flows may require and have more than one secondary meter and measurement location.

might not be practical. If actual measurement of secondary side flows is not possible or practical,

Formatted: PJM\_Normal

it is optional but preferred that the meter readings also be used to calculate the secondary side measurements, and the calculated secondary side measurements be telemetered to PJM by one or both TOs.

Other special cases should be individually reviewed with PJM.

### 5.2.2 Area Regulation

Formatted: PJM\_Heading\_3 Char

Area regulation data is required to ensure that the instantaneous mismatches of load and generation are corrected by sending a generation control signal to those plants/stations/PJM Members scheduled to provide this ancillary service. PJM calculates the desired area regulation signal and the signal is transmitted to the designated provider of this service. Regulating assets provide telemetry to PJM for real time operations and asset performance calculation.

The requirements for Area Regulation metering systems are:

- Metering Accuracy: Within ±2% of true value.

Formatted: (none)



- Scan Frequency: 4 sec. or less between scans

Note: PJM Members must have the ability to receive a regulation signal. If automatic generation control becomes inoperative the PJM Members must have the ability to adjust generation manually to maintain scheduled interchange.

Formatted: PJM\_Note

Formatted Table

### **5.2.3 Generation Dispatch Data**

Formatted: PJM\_Heading\_3 Char

For PJM dispatchable generation, the appropriate operating data points will be provided to PJM either through an EMS data link or through the eMarket interface whenever the data changes.

The plant/station/PJM Member with generation provides PJM with all necessary information to dispatch individual units. The Plant/station/PJM Member will notify PJM of any actual or potential changes in unit status or capacity.

For self-scheduled generation, the self-scheduled value is transmitted twenty minutes prior to any changes.

PJM uses its Security Constrained Economic Dispatch (SCED) to determine the appropriate generation output. An individual unit MW base point is sent to each plant/station/PJM Member as the dispatch signal.

The requirements for Generation Dispatch Data metering systems are:

- Metering Accuracy: Within  $\pm 2\%$  of true value.
- Scan Frequency: 10 sec. or less between scans

### **5.2.4 Generation Reserve**

Formatted: PJM\_Heading\_3 Char

The availability of Generation Reserve is transmitted to PJM from the individual plant/station/PJM Member. This data is used to determine the reliability of the PJM RTO.

The requirements for Generation Reserve metering systems are:

- Metering Accuracy: Within  $\pm 2\%$  of true value.
- Scan Frequency: 10 sec. or less between scans

Formatted: PJM\_Normal

### **5.2.5 System Restoration**

System Restoration data is required to facilitate system restoration (see the ***PJM Manual for System Restoration (M-36)***). Specifically, a system frequency measurement is required to be transmitted to PJM from each Transmission Zone.

The requirements for System Restoration metering systems are:

- Metering Accuracy: Within  $\pm 2\%$  of true value.
- Scan Frequency: 4 sec. or less between scans



### 5.2.6 General Telemetry

Formatted: PJM\_Heading\_3 Char

PJM receives real-time telemetry for many measurements that do not fall into any of the preceding categories in Section 5.2. These measurements may be related to transmission facility telemetry requirements for observability in PJM Manual 03 and 03A, or related to the Interconnection Agreement for a particular facility, or any other operation or market reason to telemeter data to PJM.

The requirements for General Telemetry metering systems are:

- Metering Accuracy: Within ±5% of true value.
- Scan Frequency: 104 sec. or less between scans

### 5.2.7 System Control and Monitoring Metering Maintenance

Formatted: (none)

Formatted: PJM\_Heading\_3 Char

Formatted: (none)

Formatted: Font: 11 pt

Equipment owners shall develop, maintain and execute their own testing, calibration and maintenance policies and procedures, including for all devices and systems metering systems, including systems with devices other than actual meters that provide PJM with system control and monitoring real-time data. All devices and metering systems that provide PJM with system control and monitoring real-time data should be covered by either a periodic test plan, where all equipment is tested at some set time interval, or exception-based maintenance, where equipment testing is triggered based on some continuous or periodic method to identify probable out of spec performance. A typical example of exception-based maintenance method would be to monitor the delta between a measured value and a state estimated value at the same point, where a high delta could indicate inaccurate telemetry and would be further investigated for potential mitigation action, like equipment testing, calibration and maintenance.

Formatted: Font: 11 pt

NERC standard PRC-005-6 includes maximum maintenance intervals and maintenance activity for protection systems. Where PJM is receiving system control and monitoring real-time data from equipment associated with protection systems that fall under NERC Standard PRC-005-6, it is recommended that the telemetry accuracy be tested and verified as part of the other required maintenance activities.

Formatted: Font: 11 pt

For measurement locations that are points of interchange and include a revenue meter that falls under PJM billing meter maintenance requirements, it is recommended that the real-time telemetry accuracy be derived from that same high-accuracy device and the real-time telemetry be tested and verified as part of the required billing meter maintenance.

### 5.2.8 Accuracy Investigations

Formatted: Font: (Default) Arial, 12 pt

Formatted: PJM\_Normal, Space After: 0 pt, Line spacing: single, Adjust space between Latin and Asian text, Adjust space between Asian text and numbers

PJM can request an investigation at specific locations based on actual or projected market and system conditions into the existing overall or component accuracy (and telemetry periodicity) at the identified sites.

Formatted: Font: (Default) Arial, 12 pt

Formatted: Font: (Default) Arial, (none)

Formatted: (none)

Formatted: Font: (Default) Arial, (none)

Formatted: (none)

PJM investigation requests will be based on and justified on demonstrable conditions such as:

- Large discrepancies between real-time data and state estimator results.



- large discrepancies between electrically close real-time data points
- areas of reliability concern due to equipment regularly running at thermal limits
- market concerns related to uplift costs that could be aggravated by low accuracy telemetry
- critical measurements for observability

other similarly demonstrable concerns

PJM may periodically run applications to detect telemetry that is demonstrably likely to be out of compliance with an applicable PJM accuracy requirement. These programs should be overlapping and complimentary with any exception-based telemetry maintenance programs operated by equipment owners. For example, PJM may not have as much telemetry and modeling near distribution voltages, and accordingly an equipment owner with more modeling and telemetry may be able to perform a better accuracy check in those areas.

PJM will communicate the possible non-compliant telemetry to the equipment owner, along with the priority of follow-up activity based on operational, market and reliability concerns.

PJM and the equipment owner will produce a mitigation plan that considers the specific situation, local topology, and costs to equipment owner. Mitigation plans may include deliverables and actions such as: lowering the State Estimator weighting, checking modeling, bringing additional available telemetry in the area online to PJM, testing or calibrating existing equipment, or equipment upgrade/replacement. PJM will review the proposed mitigation plan to ensure it address all concerns, such as reliability, market efficiency and market fairness, in a reasonable time frame. A reasonable deadline for the execution of the plan shall be agreed upon by all impacted parties.

PJM will document and store the conclusions of any significant investigations for historical and future guidance purposes.

**5.2.9 Special Considerations and Requirements for Voltage and Amps**

The PJM EMS primarily makes use of MW, MVAR and Voltage, as the real time data consumed to allow critical applications to run successfully. The metering accuracy requirements in Section 5.2, as previously mentioned, includes the entire metering system from measurement to first digitization.

Voltage in particular is an important class of measurements to PJM operations. Because voltage is one component of determining MW and MVAR, and because overall system error cannot be better than the worst error of any individual component, voltage data should meet (or beat) the same minimum requirements of metering accuracy as dictated by the rest of Section 5.2. Note that External Tie Lines, as detailed in Section 5.2.1.1, have additional NERC BAL derived

Formatted: Font: (Default) Arial, (none)

Formatted: (none)

Formatted: Font: (Default) Arial, (none)

Formatted: (none)

Formatted: Font: (Default) Arial, (none)

Formatted: (none)

Formatted: Font: (Default) Arial, (none)

Formatted: (none)

Formatted: Indent: Left: 0.5", Space After: 0 pt, Line spacing: single, Adjust space between Latin and Asian text, Adjust space between Asian text and numbers

Formatted: Font: (Default) Arial, 12 pt

Formatted: Space After: 0 pt, Line spacing: single, Adjust space between Latin and Asian text, Adjust space between Asian text and numbers

Formatted: Font: (Default) Arial, 12 pt

Formatted: Font: (Default) Arial, 12 pt

Formatted: PJM\_Normal, Space After: 0 pt, Line spacing: single, Adjust space between Latin and Asian text, Adjust space between Asian text and numbers

Formatted: Font: (Default) Arial, 12 pt

Formatted: Font: (Default) Arial, 12 pt

Formatted: Font: (Default) Arial, 12 pt

Formatted: Font: (Default) Arial, English (U.S.)

Formatted: PJM\_Normal



requirements that apply directly to Potential Transformers, Transducers or RTUs that may be part of that associated metering system.

Amperage measurements are typically used for special ~~Ground~~Geomagnetic Induced Current (GIC) considerations at PJM. Accuracy and scan frequency will be mutually agreed upon between all involved parties.

### **5.3 Billing Meters (Accumulator data)**

In general billing metering systems are meters used for transactions with PJM. Billing metering systems may also function as Balancing Meters. Billing metering systems are capable of collecting and storing bi-directional data. This section provides the minimum standard requirements for the billing metering to be used in transactions with PJM. The standards apply to new meter installations, replacement meter installations, or upgrades to existing installations.

Reliable and compliant billing metering must be installed for any billed service, unless applicable alternative practices are specified here in Section 5. Meter data is automatically electronically communicated to PJM by the producer, host utility, or transmitter for timely accounting and billing. This enables PJM to account and bill for services and to identify and resolve erroneous meter data. Communication between PJM Members may utilize any mutually agreeable method, such as voice notification or paper document.

#### **5.3.1 Collection Intervals and Units**

Billing metering systems collect or accumulate watt-hours over a specified time interval. Common time intervals are fifteen minutes, thirty minutes, and sixty minutes. For some services billing meter data may be transmitted or submitted at a larger time interval than originally collected or accumulated as the metering system permits.

Billing metering systems provide watt-hour data, which is a measurement of transacted electric energy. The standard PJM engineering unit is a megawatt-hour (MWh), which data submissions to PJM should be scaled to. The minimum allowable data precision for submissions to PJM may be as small as a kilowatt-hour (kWh) depending on requirements by specific services, local or state regulations, host utilities, service providers, or as are mutually agreed upon by the parties involved.

#### **5.3.2 Primary Billing Meter Accuracy**

A "Primary" meter shall be established for each transaction location with PJM. The minimum metering accuracy for each measuring device is defined by prevailing ANSI standards. The standards in this attachment are a minimum requirement, and

Comment [n5]: Changed from Accumulated per Item #5

Formatted: PJM\_Normal

Formatted: English (U.S.)

Formatted: English (U.S.)

Formatted: English (U.S.)



do not supersede more restrictive agreements. In cases in which standards differ, the most restrictive criteria take precedence.

The manufactured accuracy class of all energy interchange billing devices in the metering system should be accurate within  $\pm 0.3\%$  of full scale.

An individual metering system at a metering point location includes all components from the meter location through to the system operator destination.

Comment [n6]: Item #6

The requirement for Primary Billing Metering System accuracy is:

- Metering Accuracy: Within  $\pm 1\%$  of true value.

More restrictive standards may be required by local or state regulations, host utilities, service providers or as are mutually agreed upon by the parties involved.

Each metering point location used for billing is tested by the owner of the equipment at intervals of two years and its accuracy of registration maintained in accordance with good practice. At the request of any party, an individual metering point location will be tested, but, if an error of less than  $\pm 1.0\%$  is observed, the requesting party will pay for the test. PJM is to be notified of the error for auditing purposes.

Comment [n7]: Item #6

### **5.3.3 Backup Billing Meter Requirements**

Formatted: PJM\_Heading\_3 Char

A "Backup" meter shall be established for each transaction location with PJM. A backup metering system shall be provided that is of sufficient accuracy to serve as a replacement for the primary metering system. The average of instantaneous values may be used as a backup source, provided mutually agreed upon accuracy is obtained and applicable standards are achieved.

The backup metering system is capable of collecting interchange data which can be and logically comparing compared to data with from the primary meter system so that material differences may be detected in a reasonable time.

If any test of an individual metering system discloses an error of greater than 1.0%, the accounts of the parties shall be adjusted for no more than two months for which the inaccuracy is estimated to have occurred. Longer correction periods, if confirmed by recorded information or defined as a result of the dispute resolution process, may be mutually agreed upon by the parties involved. All errors of the above magnitude shall be reported to PJM and documented for auditing purposes. See Manual 28, Operating Agreement Accounting, section Meter Error Correction Billing for related details.

### **5.3.4 Maintenance**

Formatted: PJM\_Heading\_3 Char

The accuracy of all billing meters, as required to transact energy services, shall be verified by tests conducted by the equipment owner once every two years. If such test identifies, or other indications show, a recording meter is out of service or inaccurate, the owner must take action to restore the meter to correct operation within 30 days or a date mutually agreed upon by all parties. In the interim, backup metering may be used as mutually agreed by the parties involved. If equipment



installation or replacement is required to resolve the inaccuracy, all equipment must be correctly operating at a date mutually agreed upon by all parties. PJM shall be notified of the inaccuracy, interim procedures, and resolution for auditing purposes.

Periodic accuracy compliance testing may be requested by PJM member groups as required. Authentication of current meter testing and validation of newly installed or repaired meter systems may also be required.

The results of all accuracy testing shall be reported to PJM. As a minimum, PJM maintains a metering database documenting will document the provided test results for all PJM Member metering tests that show errors of greater than 1% for auditing purposes.

### **5.3.5 Accuracy Checks and Retention**

All manual or additional meter reading or comparisons required to ensure consistent valid meter information (“true-up”), are performed prior to the billing cycle, as mutually agreed upon by the parties involved. Current billing cycles are monthly.

All meter records and associated documentation is retained for a period of seven years for independent auditing purposes.

Any disputes involving any aspect of the billing metering standards or their application are resolved as described in the PJM Manual for Administrative Services for the PJM Interconnection Agreement (Manual 33).

### **5.3.6 Location of PJM Mid-Atlantic 500 kV Meter Points**

Interchange billing metering is provided on the system as follows:

- *Through-Transmission Transformers:*  
EHV interchange metering points are provided from the secondary side of all through-transmission transformers connected to the 500 kV EHV system. For example, interchange metering is provided on the 230 kV side of a 500/230 kV through-transmission transformer.
- *Radially-Tapped Generators and Transformers:*  
Generators and transformers that are not through transmission (including unit station service transformers) and that are tapped directly on the 500 kV EHV system are provided with interchange metering on the primary side (500 kV) of the step-up, station service or radial transformer. For example, a generator connected to the EHV system has an interchange metering point on the 500 kV side of the unit step-up transformer. All other generators and transformers not connected to the 500 kV system provide information as received from the high side or the low side of the unit transformer.

#### **5.3.6.1 Measuring Point Compensation**

PJM Member may elect to install a watt-hour metering system on the opposite side of the transformer than directed above (Section 5.3.6) provided that a compensation system is included to capture and adequately adjust interchange values to account for transformer losses. Any design for alternative metering approaches shall be

Formatted: PJM\_Heading\_3 Char

Formatted: PJM\_Heading\_3 Char

Formatted: PJM\_Heading\_4





documented and made known to PJM and all parties involved. Any alternative approach must be approved by PJM.

For through-transmission transformers, interchange values may be determined from the 500 kV side if compensation is installed which subtracts transformer losses when power is imported to the PJM Member or adds transformer losses for exported power.

For Generators and Transformers Radially Tapped, interchange values may be determined from the 230 kV side if compensation is installed which adds transformer losses when power is imported to the PJM Member or subtracts transformer losses for exported power.

### **5.3.7 Geographically Non-Contiguous Load**

Any PJM Member serving a load which is geographically non-contiguous to its defined service area must meter the load or otherwise accurately and reliably account for the load using contractual agreements between the involved parties. Any metering and system conventions implemented in order to meter the load must be provided to PJM, and all other parties involved. Any alternative approach must be approved by PJM prior to implementation. This enables PJM to monitor and control the transmission system, to identify and resolve erroneous information, to account and bill for services and to take appropriate action for reliability concerns.

### **5.3.8 Generation Billing Metering**

Any generation unit participating in the PJM Energy Market is required to have a metering system capable of recording generation net MWh output. When metering limitations require variance from this standard, the metering system must be mutually agreed upon by the parties involved.

All metered generator data values are to be supplied to the required parties in “net” form. “Net” or “net wholesale injection” is defined as “gross” output minus all unit station light and power components. When “net” measured values are not available due to metering system limitations, “gross” measured values may sometimes be used in conjunction with an approved “gross” to “net” calculation method. Any such use of a “gross” to “net” calculation must be approved by PJM.

### **5.3.9 Small Energy Billing Metering**

The expense and practicality of reporting watt-hours for small energy transactions may not be cost effective or prudent. The average of instantaneous values can be used, provided that a mutually agreed upon accuracy is obtained and applicable standards are achieved.

*Welcome to the Metering Requirements section of the PJM Manual for Control Center Requirements. In this section you will find the following information:*

Formatted: PJM\_Heading\_3 Char

Formatted: PJM\_Heading\_3 Char

Formatted: PJM\_Heading\_3 Char



- A general description of the purpose of having billing metering standards (see “Purpose & Criteria”).
- The overall requirements for the billing metering (see “General Guidelines”).
- The basic metering requirements in terms of accuracy, backup, location, alternative installation methodology, tie circuits, non-contiguous load, and maintenance (see “Primary Metering Requirements”).

### 5.1 Purpose & Criteria

All electricity recording metering equipment is operated and maintained to assure, to the maximum extent possible, that the equipment provides an accurate record of the quantities supplied to and received by all parties. Each PJM Member is responsible for properly maintaining its metering and telemeter equipment in accordance with applicable ANSI standards.

This section provides the minimum standard requirements for the billing metering for new meter installations to be used in transactions with PJM. The standards apply to new meter installations, replacement meter installations, or upgrades to existing installations.

The standards in this section are a minimum requirement and do not supersede more restrictive agreements. In cases in which standards differ, the most restrictive criteria take precedence. More specific standards may be required by local, state, or federal regulations, host utilities, service providers, or as are mutually agreed upon.

### 5.2 General Guidelines

All PJM Members involved with any interface with PJM shall abide by the following general guidelines for Billing Meter Standards:

- Reliable and compliant operational metering equipment is in place for any metered service that is billed.
- Meter information is automatically and electronically communicated to PJM by the producer, host utility, or transmitter in order to ensure timely accounting and billing. This enables PJM to identify and resolve erroneous information and to account and bill for services. Communication between PJM Members other than PJM may utilize any method, such as voice notification or paper document if mutually agreeable.
- Billing metering systems are capable of collecting and storing bi-directional information for intervals as determined by the parties involved. The expense and practicality of reporting information for small data intervals may not be cost effective or prudent. The average of instantaneous values can be used, provided that a mutually agreed upon accuracy is obtained and applicable standards are achieved. Meter intervals can be of lesser duration for some services, but common intervals are fifteen minutes, thirty minutes, and sixty minutes. Collected meter information may be transmitted to the appropriate parties with a different frequency than it is collected, as communications systems permit.



- The megawatt-hour (MWh) is the standard unit of service measurement. Service may be measured in kilowatt hours (kWh) if required by specific services, local or state regulations, host utilities, service providers, or as are mutually agreed upon by the parties involved. kWh information may be used by the parties involved but must be converted to MWh information before transmission to PJM.
- All metered generator data values are to be supplied to the required parties in “net” form. “Net” shall be defined as “gross” output minus unit station light and power components. When metering limitations require “gross” values to be used, the “gross” to “net” calculation method must be approved by the PJM Operating Committee for use by PJM Members in the calculation of “net” data values.
- All meter records and associated documentation is retained for a period of seven years for independent auditing purposes.
- Any dispute involving any aspect of the billing metering standards or their application are resolved as described in the PJM Manual for Administrative Services for the PJM Interconnection Agreement (M-33).

### 5.3 Primary Metering Requirements

The primary metering requirements are:

- For billing purposes, watt-hour meters are recognized as the official source of meter information.
- Metering devices must be capable of collecting and storing information for intervals required by the service provided, and as mutually agreed upon by the parties involved.
- Any generation unit participating in the PJM Energy Market is required to have independent metering devices that are capable of recording generation net MWh output. When metering limitations require variance from this standard, the metering system must be mutually agreed upon by the parties involved.
- All manual or additional meter reading or comparisons required to ensure consistent valid meter information (“true-up”), are performed prior to the billing cycle, as mutually agreed upon by the parties involved. Current billing cycles are monthly.

Each meter must follow the specific metering requirements associated with:

- Accuracy
- Backup Metering Requirements
- Location of Meter Points
- Alternative Approach
- Tie Line Telemetry Specification
- Geographically Non-Contiguous Load
- Maintenance

#### 5.3.1 Accuracy

Formatted: PJM\_Heading\_3 Char



~~The minimum metering accuracy for each measuring device is defined by prevailing ANSI and NERC standards. The standards in this attachment are a minimum requirement, and do not supersede more restrictive agreements. In cases in which standards differ, the most restrictive criteria take precedence.~~

~~The manufactured accuracy class of all energy interchange billing devices should be accurate within  $\pm 0.3\%$  of full scale.~~

~~An individual metering system at a metering point location includes all components from the meter location through to the system operator destination. The accuracy of the total energy interchange billing metering system, at each generator or transformer location, is to be within 1.0%. More restrictive standards may be required by local or state regulations, host utilities, service providers or as are mutually agreed upon by the parties involved.~~

~~Each individual metering system at each metering point location used for billing is tested by the owner of the equipment at intervals of two years and its accuracy of registration maintained in accordance with good practice. At the request of any party, an individual meter system will be tested, but, if an error of less than 1.0% is observed, the requesting party will pay for the test. PJM is to be notified of the error for auditing purposes.~~

### **5.3.2 Backup Metering Requirements**

~~The backup metering system is of sufficient accuracy to serve as a replacement for the primary metering system. The average of instantaneous values may be used as a backup source, provided mutually agreed upon accuracy is obtained and applicable standards are achieved.~~

~~The backup metering system is capable of collecting interchange data and logically comparing data with the primary meter system so that material differences may be detected in a reasonable time.~~

~~If any test of an individual metering system discloses an error of greater than 1.0%, the accounts of the parties shall be adjusted for no more than two months for which the inaccuracy is estimated to have occurred. Longer correction periods, if confirmed by recorded information or defined as a result of the dispute resolution process, may be mutually agreed upon by the parties involved. All errors of the above magnitude shall be reported to PJM and documented for auditing purposes.~~

### **5.3.3 Location of Meter Points**

~~Interchange billing metering is provided on the system as follows:~~

- ~~• **Transformers: Through-Transmission** — EHV interchange metering points are provided from the secondary side of all through transmission transformers connected to the 500 kV EHV system. For example, interchange metering is provided on the 230 kV side of a 500/230 kV through transmission transformer.~~
- ~~• **Generators and Transformers Radially Tapped** — Generators and transformers that are not through transmission (including unit station service transformers) and that are~~

tapped directly on the 500 kV EHV system are provided with interchange metering on the primary side (500 kV) of the step up, station service or radial transformer. For instance, a generator connected to the EHV system has an interchange metering point on the 500 kV side of the unit step-up transformer. All other generators and transformers not connected to the 500 kV system provide information as received from the high side or the low side of the unit transformer.

### 5.3.4 Alternative Approach

In lieu of providing interchange billing metering, a PJM Member may elect to install a watt-hour metering system on the opposite side of the transformer than directed above (the 500 kV side of the through-transmission transformer or the 230 kV side of the radial transformers) provided that a compensation system is included to capture and adequately adjust interchange values to account for transformer losses. Any design for alternative metering approaches shall be documented and made known to PJM and all parties involved. Any alternative approach must be approved by PJM.

For through-transmission transformers, interchange values may be determined from the 500 kV side if compensation is installed which subtracts transformer losses when power is imported to the PJM Member or adds transformer losses for exported power.

### 5.3.5 Tie Line Telemetry Specification

Following are the telemetry requirements for monitoring PJM Ties with any neighboring external Balancing Authority (BA) (See Figure 1). These requirements are also applicable to ties defined between Transmission Zones internal to PJM (eg: AEP-DEOK etc.) (See Figure 2) This will apply to any existing tie lines that get modified.

From the primary metering BA/Transmission Operator (TO):

1. Primary Meter Reading (Required)—this value must be revenue quality and reflect the value that originates from the meter that has been agreed upon with the neighboring BA/TO as the Primary meter.
2. Secondary Source Secondary Meter Reading—this value represents the through pass of the tie line secondary meter measurement by the BA/TO that has the primary metering and should be sent to PJM if available. (Same value as received from the TO having the Secondary Meter Reading (4), via a different data communication path).
3. If the PJM TO is the primary metering end of the line for external tie lines then PJM will need to send that value to the neighboring BA.

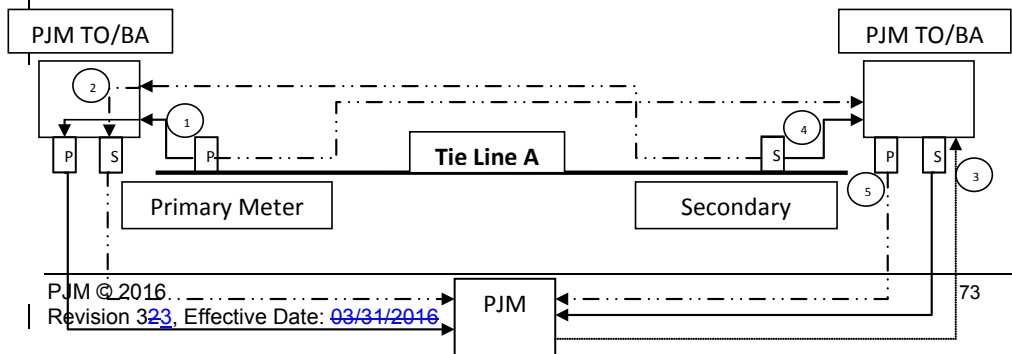


Figure1: Telemetry Requirement for External Tie-lines

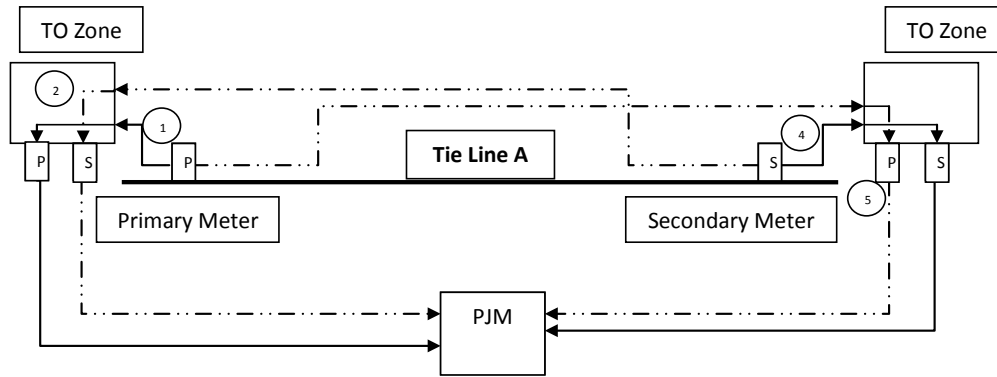


Figure 2: Telemetry Requirements for PJM Internal Tie-Lines between Transmission Zones

- Required
- - - - - Optional
- If PJM TO is Primary end, need to send primary metering to BA

From Secondary BA/TO Control Zone:

4. ~~Secondary Meter Reading (Required) — the tie line secondary meter that can be used during primary meter outages or maintenance; the value for this meter should be sent to PJM.~~
5. ~~Secondary Source Primary Meter Reading — this value if available must reflect the value that originates from the meter that has been agreed upon with the neighboring PJM-BA/TO Control Zone as the Primary meter (same value as received in the TO Primary Meter Reading (1), via a different data communication path).~~

Tie line notification:

~~The TO is required to submit all new tie line requests before the 1st of the month prior to the month of the requested tie line being energized at the PJM SOS meeting. The TO who does the notification should know which end is the primary metering point and expected date the line is to be energized.~~

Dynamic Schedule/ Pseudo Tie Telemetry Specification:

~~Following are the telemetry requirements for monitoring PJM Dynamic Schedules/ Pseudo Ties with any neighboring external Balancing Authority (BA):~~



From the primary metering BA/Transmission Operator (TO):

- ~~1. Primary Meter Reading (Required) — this value must be revenue quality and reflect the value that originates from the meter that has been agreed upon with the neighboring BA/TO as the Primary meter.~~
- ~~2. Secondary Source Primary Meter Reading — this value must reflect the value that originates from the meter that has been agreed upon with the neighboring PJM BA/TO Control Zone as the Primary meter (same value as received in the Primary Meter Reading, via a different data communication path).~~
- ~~3. For PJM Members any dynamic schedule over 10 MW the data link that the values are sent over must be setup to use a PJM-NET connection.~~

~~Any exception to the required telemetry will be reviewed on a case by case basis at PJM's discretion.~~

Dynamic Schedule notification:

~~PJM must be notified as soon as possible of new Dynamic Schedules and PJM will determine if the time line is achievable.~~

Tie Line and Dynamic Schedule/ Pseudo Tie Telemetry Specification:

Time line to receive telemetry:

- ~~• All required telemetry shall be available 2 weeks in advance of the tie line being energized.~~
- ~~• All tie line ICCP Object ID changes shall be communicated to PJM 2 weeks in advance of change.~~

Telemetry accuracy:

~~All tie line telemetry shall be scanned at a periodicity of equal to or less than 4 seconds (2 seconds is preferred) and 2 % accuracy for entire range. Metering issues/outages impacting accuracy of available telemetry should be brought to PJM's attention by TO/ Generation Company owning the metering along with an estimate on when the issues will be resolved.~~



Telemetry Link Requirements:

<b>AGC input type</b>	<b>Type of Redundancy</b>	<b>Data Link Type</b>
Tie-Line voltage greater than or equal to 69 KV	redundant point source	Dual-PJM Net Connection
Tie-Line voltage less than 69 KV	single point source	DNP over internet or existing ICGP connection
Dynamic Schedule/ Pseudo Ties greater than or equal to 100 Mw	redundant point source	Dual-PJM Net Connection
Dynamic Schedule/ Pseudo Ties greater than or equal to 10 Mw and less than a 100 MW	redundant point source	single-PJM Net Connection
Dynamic Schedule/ Pseudo Ties less than 10 MW	single point source	DNP over internet or existing ICGP connection

**5.3.6 Geographically Non-Contiguous Load**

Any PJM Member serving a load which is geographically non-contiguous to its defined service area documents and makes known to PJM, and all other parties involved, any metering and system conventions implemented in order to meter the load. Metering devices may be met by contractual arrangement with any party involved. Any alternative approach must be approved by PJM prior to implementation. This enables PJM to monitor and control the transmission system, to identify and resolve erroneous information, to account and bill for services and to take appropriate action for reliability concerns.

**5.3.7 Maintenance**

The accuracy of all recording meters, as required to transact energy services, is verified by tests conducted by the equipment owner once every two years. If such test identifies, or other indications show, a recording meter is out of service or inaccurate, the owner must take action to restore the meter to correct operation within a reasonable time. In the interim, backup metering may be used as mutually agreed by the parties involved. All equipment must be restored to correct operation within the period of 30 days from the date of discovery, or a date mutually agreed upon by all parties. If equipment installation or replacement is required to resolve the inaccuracy, all equipment must be correctly operating at a date mutually agreed upon by all parties. PJM is notified of the inaccuracy, interim procedures, and resolution for auditing purposes.

Periodic accuracy compliance testing may be requested by PJM Member agreement groups, as required. Authentication of current meter testing and validation of newly installed or repaired meter systems may also be required.





The results of all accuracy testing are reported to PJM. As a minimum, PJM maintains a metering database documenting the test results for all PJM Member metering tests that show errors of greater than 1% for auditing purposes.

## 5.4 Meter Accuracy Standards

Welcome to the *Meter Accuracy Standards* section of the PJM Manual for *Control Center Requirements*. In this section you will find the following information:

- A general description of the purpose and applicability of metering standards (see “Purpose”).
- The overall requirements for telecommunications metering (see “General Guidelines”).
- The overall requirements for metering accuracy (see “Primary Metering Accuracy”).
- Requirements for data needed for system control data (see “System Control Monitoring Requirements”).
- Requirements for data used in system security monitoring (see “Real-Time Analysis Monitoring Requirements for System Security”).
- A description of the requirements intended to assure reliable dispatch (see “Dispatching Requirements”).

### 5.4.1 Purpose

This section provides the minimum standard requirements for telecommunications metering, such as MW, MVAR, and kW values, to be used when communicating information to PJM. The standards apply to new meter installations, replacement meter installations, or upgrades to existing installations. The requirements for billing meters are covered in Para 5.3.1.

These standards are a minimum requirement and do not supersede more restrictive agreements. In cases in which standards differ, the most restrictive criteria take precedence. More specific standards may be required by local, state, or federal regulations, host utilities, service providers, or as are mutually agreed upon.

### 5.4.2 General Guidelines

All PJM Members involved with any interface with PJM abide by the following general guidelines for telecommunications metering:

- All electric measurement equipment is operated and maintained so as to assure, to the maximum extent possible, that it provides an accurate record of the quantities supplied to and received by all parties.
- Each PJM Member is responsible for properly maintaining its metering and telemetry equipment in accordance with applicable ANSI standards.
- Metered information is automatically electronically communicated to PJM by the producer, host utility or transmitter in order to ensure system security and reliability.



- It is important to recognize the importance of accurate data as well as the need to meet deadlines associated with updating this data, since the failure to provide accurate and timely data affects reliable system operations.

### 5.4.3 Primary Metering Accuracy

For all new metering installed since December 1, 1997, the following primary transducer accuracy guidelines are followed:

Primary Transducer	Accuracy Guideline
Frequency Transducers	0.001 Hz
Potential Transformers	0.30% of Full Scale
Current Transformers	0.50% of Full Scale
MW/MVAR/Voltage Transducers	0.25% of Full Scale
Remote Terminal Units (A/D)	0.25% of Full Scale

Exhibit 1: Primary Transducer Accuracy Guideline

This accuracy guideline results in an overall metering accuracy better than 2% and satisfies the NERC-BAL standards. Billing accurate telemetry data values should be supplied whenever possible.

### 5.5 System Control Monitoring Requirements

Data required for system control monitoring provides PJM dispatcher with the necessary information to meet the continuous requirement of matching the generation with the load demand and to assure that system security is maintained. There are four classes of system control data:

- System control data
- Area regulation data
- Dispatch data
- Reserve data
- The frequency and accuracy of data transmission, unless otherwise noted, applies to the primary source of telemetry data, the backup source when the primary is unavailable and backup source for tie line and frequency data.

#### 5.5.1 System Control Data

System control data is required to match the load demand with the available generation. This is accomplished by measuring the actual tie flow values and the actual frequency and using them in a calculation with the scheduled total tie line value and the scheduled frequency. PJM Members that control generation participate in time error control by raising or lowering frequency schedules by 0.02 Hz at the direction of PJM (see the [PJM Manual for Balancing Operations \(M-12\)](#)). System control data is also required to facilitate system restoration (see the [PJM Manual for System Restoration \(M-36\)](#)). Specifically, a system frequency measurement is required to be transmitted to PJM from each Transmission Zone.

- Frequency of Acquisition  $\leq$  4 seconds, Metering Accuracy  $\leq$  2%

Formatted: Normal

Formatted: Normal



~~Balancing Authority (PJM) Control Room Time Error and Frequency devices will be checked and calibrated against a common reference at least annually. The Balancing Authority shall adhere to the minimum accuracy values for measuring devices as follows:~~

- ~~• Digital frequency transducer,  $\leq 0.001$  Hz~~
- ~~• MW MVAR, and voltage transducer,  $\leq 0.25$  % of full scale~~
- ~~• Remote terminal unit,  $\leq 0.25$  % of full scale~~
- ~~• Potential transformer,  $\leq 0.30$  % of full scale~~
- ~~• Current transformer,  $\leq 0.50$  % of full scale~~

#### ~~5.5.2 Area Regulation~~

~~Area regulation data is required to ensure that the instantaneous mismatches of load and generation are corrected by sending a generation control signal to those plants/stations/PJM Members scheduled to provide this ancillary service. PJM calculates the desired area regulation signal and the signal is transmitted to the designated provider of this service.~~

- ~~• Frequency of Acquisition  $< 4$  seconds~~
- ~~• Metering Accuracy  $2\%$~~
- ~~• PJM Members must have the ability to receive a regulation signal and must have the ability to adjust generation manually to maintain scheduled interchange if automatic generation control becomes inoperative.~~

#### ~~5.5.3 Dispatch Data~~

~~The plant/station/PJM Member provides to PJM the individual generation availability by providing the necessary information to dispatch the generation. For PJM dispatchable generation, the appropriate operating data points are provided to PJM either through an EMS data link or through the Markets Gateway interface whenever the data changes. For self-scheduled generation, the self-scheduled value is transmitted twenty minutes prior to any changes. PJM uses its Security Constrained Economic Dispatch (SCED) to determine the appropriate generation output which is then sent to each plant/station/PJM Member in the form of an individual unit MW base point, to be used as the dispatch signal, and an individual unit dispatch lambda, used for informational purposes only. PJM Members with generation notify PJM of any actual or potential changes in unit status or capacity.~~

- ~~• Frequency of Acquisition  $< 10$  seconds~~
- ~~• Metering Accuracy  $2\%$~~

#### ~~5.5.4 Reserve Data~~

~~The availability of generation reserve is transmitted to PJM from the individual plant/station/PJM Member. This data is used to determine the reliability of the PJM RTO.~~

- ~~• Frequency of Acquisition  $< 10$  seconds~~
- ~~• Metering Accuracy  $2\%$~~

Formatted: Normal

Formatted: Normal



### **Attachment A: Information Access Matrix**

The following Information Access Matrix lists each of the major PJM services that affect PJM Members. It differentiates these services by PJM member type and by information access method. This Information Access Matrix should be considered as a rough approximation only. The PJM Customer Relations and Training Department is available to provide more specific information concerning PJM services and access methods.



A: Generation Scheduling Services						
	Information Services	PJM Member Regional Transmission Owner	PJM Member Generating Entity	PJM Member Load Serving Entity	PJM Member Marketer	Neighboring Control Areas
<b>Inputs to PJM</b>						
A.1	Hydro Constraint Information (pool scheduled resources) [submitted daily by hydro plants] via eDART		2			
A.2	Generator Outage Information [submitted daily] via eDART		1			4
A.3	Daily Generator Bids (cost, availability, etc.) [submitted by noon for next day] via Markets Gateway		3			
A.4	Daily Area Regulation Bids via Markets Gateway		7			
A.5	Daily Synchronized Reserve Bids via Markets Gateway		3			
<b>Outputs from PJM</b>						
A.6	Daily Hydro Schedules (hourly generation and capacity) [read only] via eDART		2			
A.7	Daily Hydro Schedule Updates via eDART		2			
A.8	Daily Managers Report on Joint Owned Units [reported to joint plant owners]		5			
A.9	Daily Load Forecasts (peak loads, congestion) via eDADA, Operational Data page on <a href="http://pjm.com">pjm.com</a>	O		O	O	O
A.10	Reliability Information (Forecasted Load via eDATA, Minimum Generation Problems, Outages, Available Capacity) via eDART and Emergency Procedures	O				X
A.11	Daily Generator Bid Confirmations (cost, availability, etc.) via Markets Gateway		2			
A.12	Selected Generators (next day schedule)[distributed to selected generator owners] via Markets Gateway		2			
Key: X – Required Service O – Optional Service 1 – Mandatory For All Generation Within the PJM RTO 2 – Mandatory For Unit Specific Generation Bidding 3 – Mandatory For All Capacity Resources 4 – System Reliability Information Only 5 – Mandatory For Joint-Owned Unit Owners 6 – Mandatory If Not Attainable From Existing Telemetry 7 – Mandatory For Generators Offering Regulation						

Exhibit 2: Generation Scheduling Services



B: EMS Services						
	Information Services	PJM Member Regional Transmission Owner	PJM Member Generating Entity	PJM Member Load Serving Entity	PJM Member Marketer	Neighboring Control Areas
<b>Inputs to PJM</b>						
B.1	CT Generator Availability Updates via Markets Gateway, eDART		1			
B.2	Confirmed Regulation MWs via Markets Gateway		7			
B.3	Telemetry Status & Analog Values [real-time] via SCADA or ICCP	X	X	6		4
B.3.1	MW on BES Facilities	X	X			
B.3.2	MVAR on BES Facilities	X	X			
B.3.3	Voltages on BES Facilities	X	O			
B.3.4	Tap Position on BES Transformers	X				
B.3.5	Frequency	X	X			
B.3.6	Status of BES Circuit Breakers	X	X			
B.3.7	Phase Shifter Tap Position (if in Zone)	X				
B.3.8	Static VAR Compensator status (if in zone)	X				
B.3.9	Status of some BES Disconnects	O				
B.3.10	Temperatures	O				
B.4	AVR/PSS Excitation Control		1			
B.5	Black Start Test Data		X			
<b>Outputs from PJM</b>						
B.6	CT On/Off Times for PJM Units Only		1			
B.7	Requests for Regulation MWs via SCADA, ICCP		7			
B.8	Real-time Transmission Status (Line Outages, etc.) [PJM dispatcher communication to other CCs] via SCADA, ICCP, and eDART	X				4
B.9	Real-time Generation Status (Generation Inquiries, etc.) PJM dispatcher communication to other CCs, MOC		X			4
B.10	Real-time Informational, Operational, and Emergency Messages [broadcast to all LCCs] via ICCP, Emergency Procedures	X				



B: EMS Services						
	Information Services	PJM Member Regional Transmission Owner	PJM Member Generating Entity	PJM Member Load Serving Entity	PJM Member Marketer	Neighboring Control Areas
B.11	Generation Dispatch [relayed ≤ 10s, or manually] via SCADA, ICCP		X			
B.12	Generation Regulation Control [relayed ≤ 10s] via SCADA, ICCP		7			
B.13	Real-time Telemetry (status & analog values) [relayed to other CCs] via SCADA, ICCP	X	X	6		4
B.14	AVR/PSS Excitation Control via eDART	X				
Key: X – Required Service O – Optional Service 1 – Mandatory For All Generation Within the PJM RTO 2 – Mandatory For Unit Specific Generation Bidding 3 – Mandatory For All Capacity Resources 4 – System Reliability Information Only 5 – Mandatory For Joint-Owned Unit Owners 6 – Mandatory If Not Attainable From Existing Telemetry 7 – Mandatory For Generators Offering Regulation						

Exhibit 3: EMS Services



C: Historical EMS Data Services						
Information Services	PJM Member Regional Transmission Owner	PJM Member Generating Entity	PJM Member Load Serving Entity	PJM Member Marketer	Neighboring Control Areas	
<b>Inputs to PJM</b>						
C.1 Historical EMS Information Requests [submitted per request to PJM for processing]	X				4	
<b>Outputs from PJM</b>						
C.2 Historical EMS Information [distributed to requesting parties]	X				4	
Key: X – Required Service O – Optional Service 1 – Mandatory For All Generation Within the PJM RTO 2 – Mandatory For Unit Specific Generation Bidding 3 – Mandatory For All Capacity Resources 4 – System Reliability Information Only 5 – Mandatory For Joint-Owned Unit Owners 6 – Mandatory If Not Attainable From Existing Telemetry 7 – Mandatory For Generators Offering Regulation						

Exhibit 4: Historical EMS Data Services





D: Transmission Maintenance Planning Services						
	Information Services	PJM Member Regional Transmission Owner	PJM Member Generating Entity	PJM Member Load Serving Entity	PJM Member Marketer	Neighboring Control Areas
<b>Inputs to PJM</b>						
D.1	3-4 Day Ahead Transmission Maintenance Schedules [planned outages, submitted by transmission providers per Manual 03] via eDART	X				
D.2	3-4 Day Ahead Neighboring Control Area Transmission Maintenance Schedules (planned outages) [submitted by neighboring control areas] via phone and eDART					X
<b>Outputs from PJM</b>						
D.3	3-4 Day Ahead Transmission Maintenance Schedules (planned outages) [confirmation of D.1] via eDART	X				X
D.4	3-4 Day Ahead Neighboring Control Area Transmission Maintenance Schedules (planned outages) [confirmation of D.2]					X
D.5	Transmission Maintenance Schedule (planned outages) [monthly report sent to all transmission providers] via eDART	X				X
Key: X – Required Service O – Optional Service 1 – Mandatory For All Generation Within the PJM RTO 2 – Mandatory For Unit Specific Generation Bidding 3 – Mandatory For All Capacity Resources 4 – System Reliability Information Only 5 – Mandatory For Joint-Owned Unit Owners 6 – Mandatory If Not Attainable From Existing Telemetry 7 – Mandatory For Generators Offering Regulation						

Exhibit 5: Transmission Maintenance Planning Services



E: Transmission Services						
	Information Services	PJM Member Regional Transmission Owner	PJM Member Generating Entity	PJM Member Load Serving Entity	PJM Member Marketer	Neighboring Control Areas
<b>Inputs to PJM</b>						
E.1	Transmission Reservations [reserved through OASIS]		O	X	X	
E.2	Network Transmission Services			X		
<b>Outputs from PJM</b>						
E.3	Available Transmission Capacity [posted on OASIS]			X	X	
E.4	Actual Energy Transactions [posted on OASIS 7 days later]	X	X	X	X	
E.5	Informational Messages [posted on OASIS]	X	X	X	X	
E.6	Ancillary Services [posted on OASIS]	X	X	X	X	
E.7	Approved Transmission Reservation Requests via OASIS			X	X	
E.8	Summary of Month End Transactions via billing, OASIS	X				
Key: X – Required Service O – Optional Service 1 – Mandatory For All Generation Within the PJM RTO 2 – Mandatory For Unit Specific Generation Bidding 3 – Mandatory For All Capacity Resources 4 – System Reliability Information Only 5 – Mandatory For Joint-Owned Unit Owners 6 – Mandatory If Not Attainable From Existing Telemetry 7 – Mandatory For Generators Offering Regulation						

Exhibit 6: Transmission Services



F: Energy Transaction Services						
	Information Services	PJM Member Regional Transmission Owner	PJM Member Generating Entity	PJM Member Load Serving Entity	PJM Member Marketer	Neighboring Control Areas
<b>Inputs to PJM</b>						
F.1	External Energy Transactions via ExSchedule			X	X	
F.2	Non-PJM Energy Transactions (Wheels, etc.) [submitted by neighboring control areas] via ExSchedule					X
F.3	Updates / Additions to Energy Transaction Schedule via ExSchedule and NERC tag			X	X	X
F.4	Internal Energy Transactions via InSchedules			X		
<b>Outputs from PJM</b>						
F.5	External Energy Transactions [collectively confirmed by PJM & communicated to neighboring control areas] via ExSchedule			X	X	X
Key: X – Required Service O – Optional Service 1 – Mandatory For All Generation Within the PJM RTO 2 – Mandatory For Unit Specific Generation Bidding 3 – Mandatory For All Capacity Resources 4 – System Reliability Information Only 5 – Mandatory For Joint-Owned Unit Owners 6 – Mandatory If Not Attainable From Existing Telemetry 7 – Mandatory For Generators Offering Regulation						

Exhibit 7: Energy Transaction Services



G: Long-term Planning Services						
	Information Services	PJM Member Regional Transmission Owner	PJM Member Generating Entity	PJM Member Load Serving Entity	PJM Member Marketer	Neighboring Control Areas
<b>Inputs to PJM</b>						
G.1	Capacity Information (spreadsheets)	X				
G.2	Load Information (spreadsheets)	X				
G.3	Load Flow Information	X				
G.4	Short Circuit Information	X				
G.5	Dynamics Information	X	1			
G.6	LAS Load Information	X				
G.7	Generator Events Information (GADS dataset) [submitted by plant operations]	X	1			
G.8	PROMOD information File (Generation Production Cost Information) [submitted by generation planning into central planning database]	X	1			
G.9	Generation Planning Maintenance Outage Reports [compiled from transmission planning tools]	X	1			
G.10	Long-term Capacity Planning Information [submitted by transmission planning]	X				
G.11	Performance Adequacy Assessments (financial Studies)	X	X	X	X	
G.12	Generator Planning Study [distributed to committee members]	X	O	O	O	
G.13	Supplemental Agreement (Forecast Obligation) [distributed to committee members]	X	O	O	O	
G.14	LAS Report [submitted to Reliability Committee]	X	O			
G.15	GORP Reports [distributed to generation planning]	X	O			
Key: X – Required Service O – Optional Service 1 – Mandatory For All Generation Within the PJM RTO 2 – Mandatory For Unit Specific Generation Bidding 3 – Mandatory For All Capacity Resources 4 – System Reliability Information Only 5 – Mandatory For Joint-Owned Unit Owners 6 – Mandatory If Not Attainable From Existing Telemetry 7 – Mandatory For Generators Offering Regulation						

Exhibit 8: Long-term Planning Services



H: PJM Administration Services						
	Information Services	PJM Member Regional Transmission Owner	PJM Member Generating Entity	PJM Member Load Serving Entity	PJM Member- Marketer	Neighboring Control Areas
	<b>Outputs from PJM</b>					
H.1	PJM Information [on PJM Web site]	X	X	X	X	X
H.2	RTO Information [on PJM Web site]	X	X	X	X	X
H.3	FERC Filings [on PJM Web site]	X	X	X	X	X
H.4	Training Information [on PJM Web site]	X	X	X	X	X
H.5	Emergency Information [on PJM Web site]	X	X	X	X	X
H.6	General Administration Information [distributed via fax to all participants]	X	X	X	X	X
H.7	Regulatory Reporting (FERC 714, 715; EIA 411)	X	X	X	X	
Key: X – Required Service O – Optional Service 1 – Mandatory For All Generation Within the PJM RTO 2 – Mandatory For Unit Specific Generation Bidding 3 – Mandatory For All Capacity Resources 4 – System Reliability Information Only 5 – Mandatory For Joint-Owned Unit Owners 6 – Mandatory If Not Attainable From Existing Telemetry 7 – Mandatory For Generators Offering Regulation						

Exhibit 9: PJM Administration Services



**Attachment B: Schedule of Data Submittals**

In order for PJM to provide satisfactory evidence to demonstrate compliance, PJM members are required to provide the following information to PJM on a frequency noted below:

Standard Reference	To be Submitted	Frequency and Date
TOP-006-2R6	Tie line meter accuracy for each tie line. Submittal to be provided via PERCS website.	(Annual) Recommend September 30
EOP-003-1 R2	UFLS data (similar to current process for annual request of information). Submittal to be provided via PERCS website.	(Annual) Recommend May 1
EOP-003-1 R8	How each TO plans to implement load reduction in sufficient time and amount if directed by PJM. Submittal to be provided via PERCS website.	(Annual) Recommend March 1
EOP-005-2 R10	Assurance that their personnel have been trained annually in the implementation of the Restoration Plan and that they have participated in restoration exercises with auditable records that could be obtained upon request by PJM. Response can just be an affirmative confirmation. Assurance could be made by Tos via submittals provided via PERCS website	(Annual) Recommend December 31
EOP-005-2 R3	Submit TO Restoration Plan, Ensure Annual Review is noted in plan revision history section. Submittal to be provided via eDART Black Start application.	(Annual) Within Annual Definition of last submittal – per table 1 of Attachment G of M-36
EOP-005-2 R4	Submit TO changed System Restoration Plan via eDART Black Start application if conditions of EOP-005, R4 are met	Within 90 days of unplanned changes or before planned changes that affect System Restoration Plan
EOP 008-1 R7	Coordinate and submit a TO backup test with PJM and provide evidence of its performance. Submittal to be provided via PERCS website.	(Annual) Recommend September 30
EOP-008-1 R5	Certification to PJM that the TO Operating Plan for backup functionality has been reviewed in its entirety and updated	(Annual) Recommend December 31

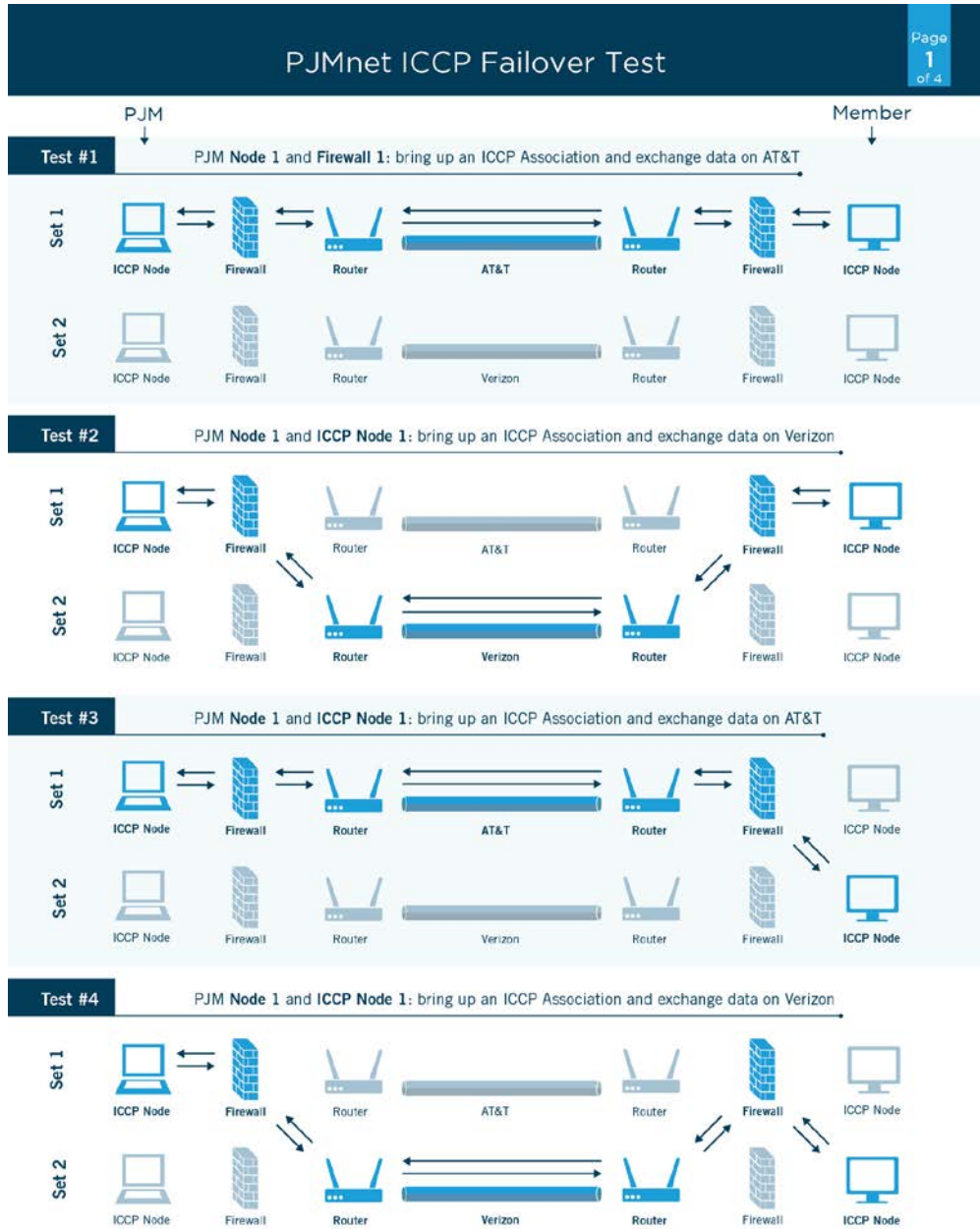


Manual 01: Data Management Modeling  
Attachment B: Schedule of Data Submittals

Standard Reference	To be Submitted	Frequency and Date
	appropriately. Such review effort should be noted in plan revision history section. Response can just be an affirmative confirmation. Submittal to be provided via PERCS website.	
EOP-008-1 R5.1	Certification to PJM of changes to the TO Operating Plan for backup functionality. Submittal to be provided via PERCS website.	Within 60 days of any changes
EOP-010-1 R1.2	Submit TO GMD procedure. Ensure Annual Review is noted in plan revision history section. Submittal to be provided via PERCS website.	Annual - recommend April 1 or anytime the TO GMD procedure is updated.

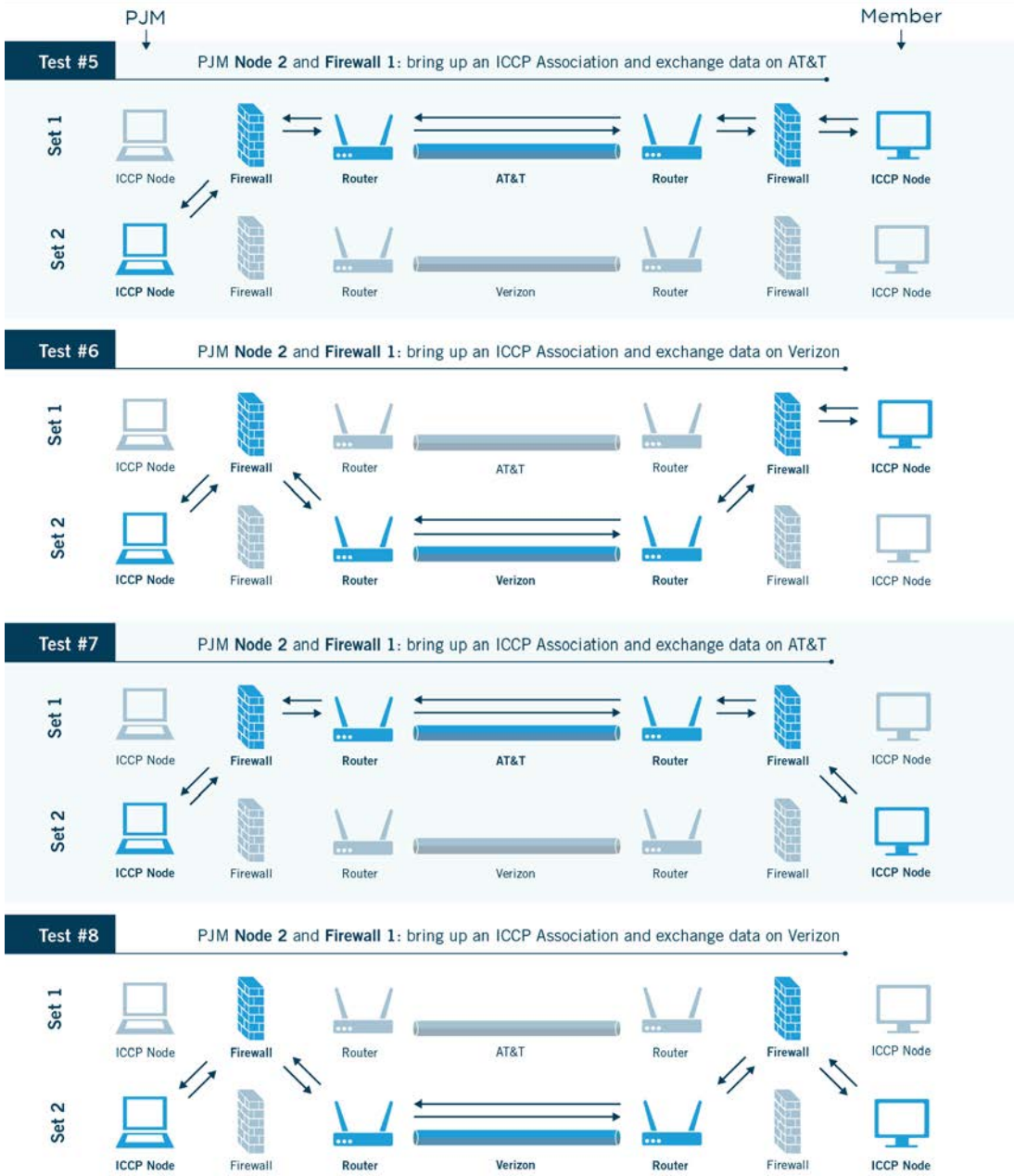
## Attachment C: PJMnet ICCP Failover Tests

The following four pages are full page sized diagrams of Attachment C: PJMnet ICCP Failover Tests.

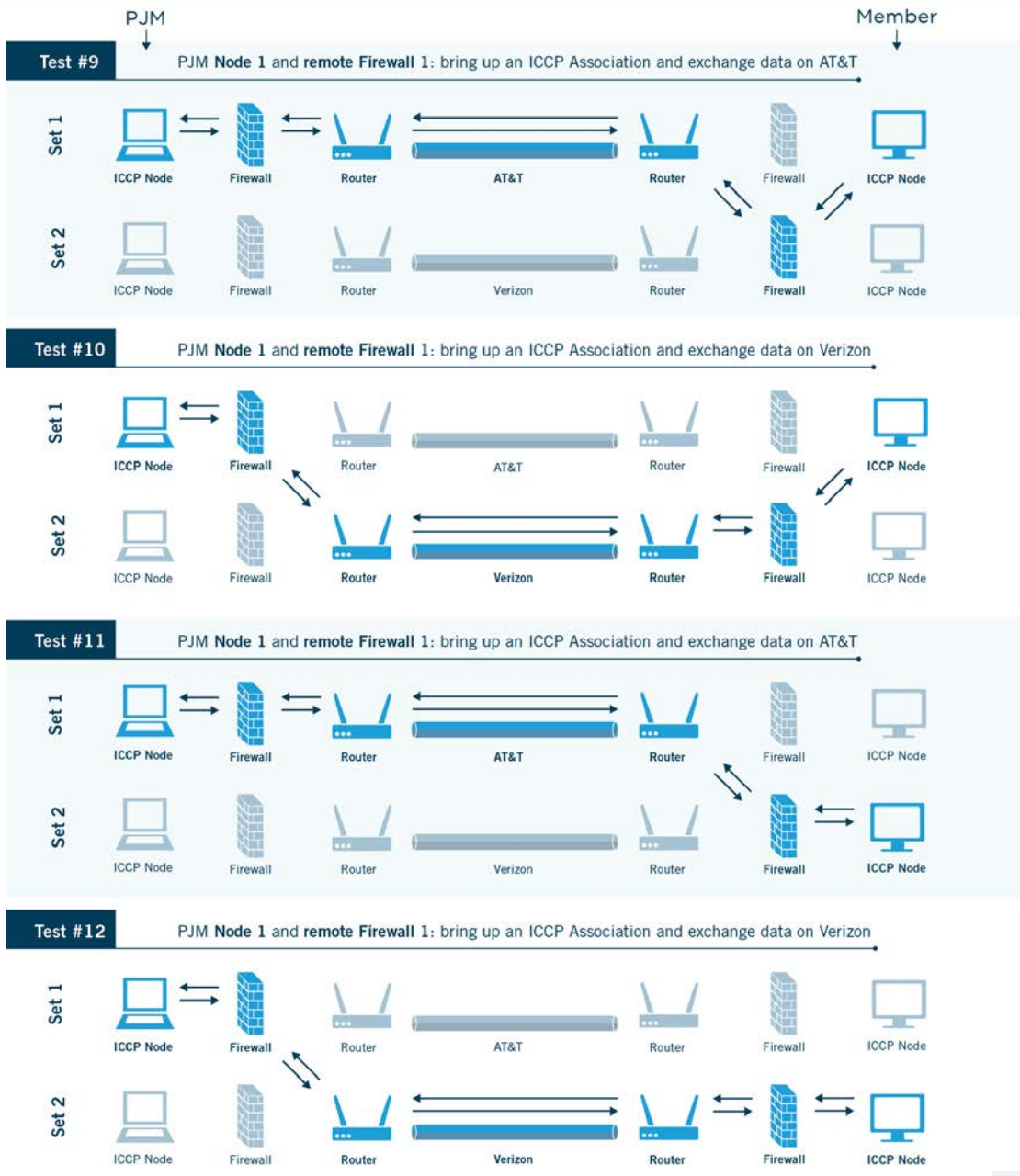




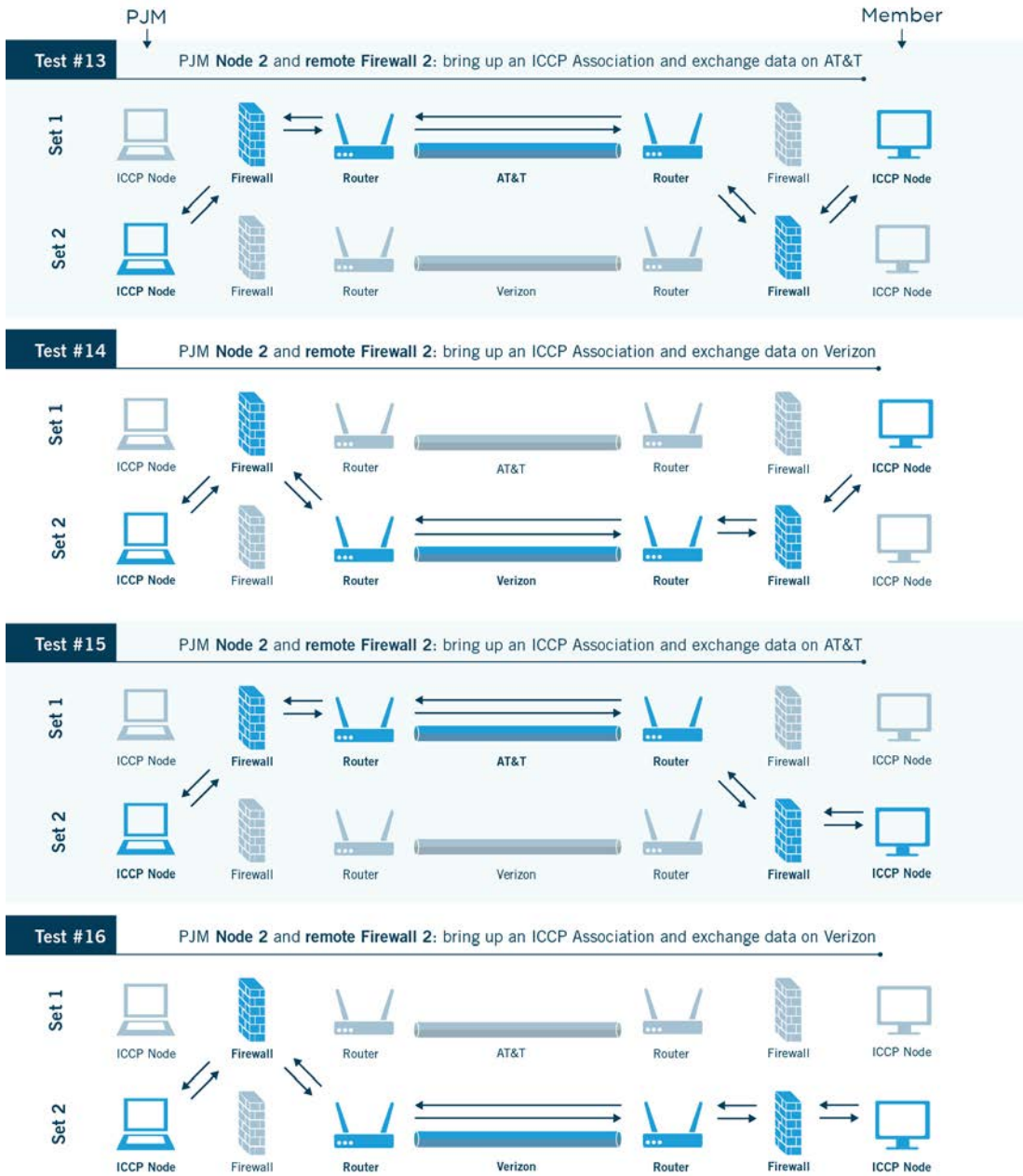
## PJMnet ICCP Failover Test



## PJMnet ICCP Failover Test



## PJMnet ICCP Failover Test



**Attachment D: Tie Line Meter Placement and Telemetry**

**External Tie Line Metering  
Primary Metering at PJM End of Tie Line**

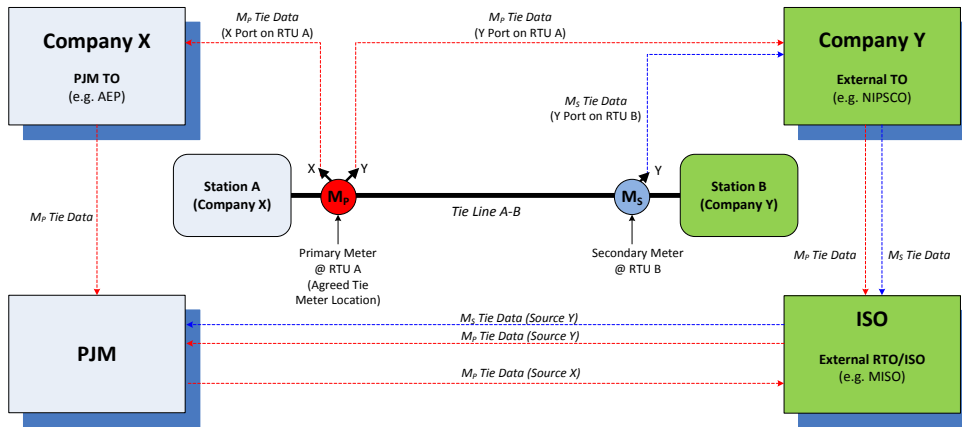


Exhibit 1

Formatted: Normal, Border: Bottom: (No border)

**External Tie Line Metering  
Primary Metering at External End of Tie Line**

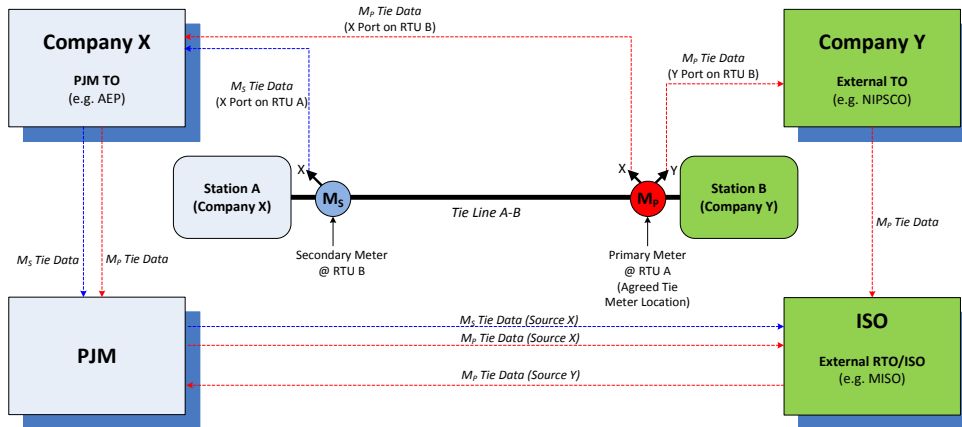


Exhibit 2

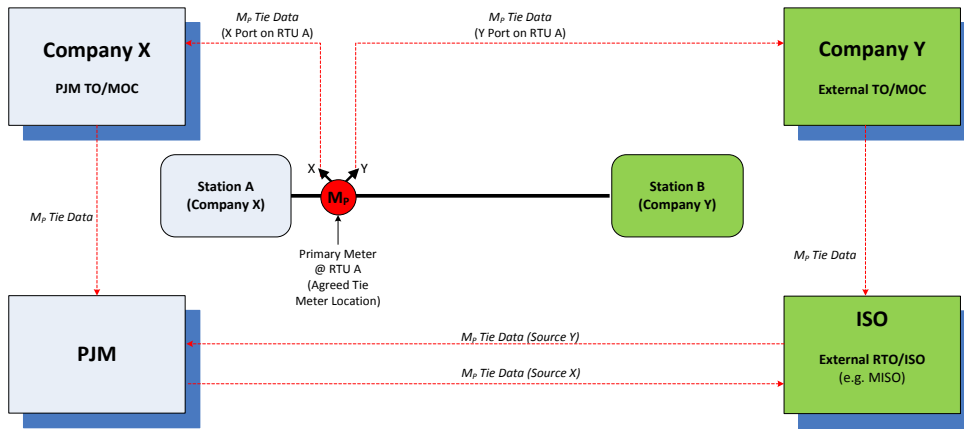
Formatted: PJM\_Normal\_Indented

Formatted: Normal, Border: Bottom: (No border)

Formatted: PJM\_Normal\_Indented

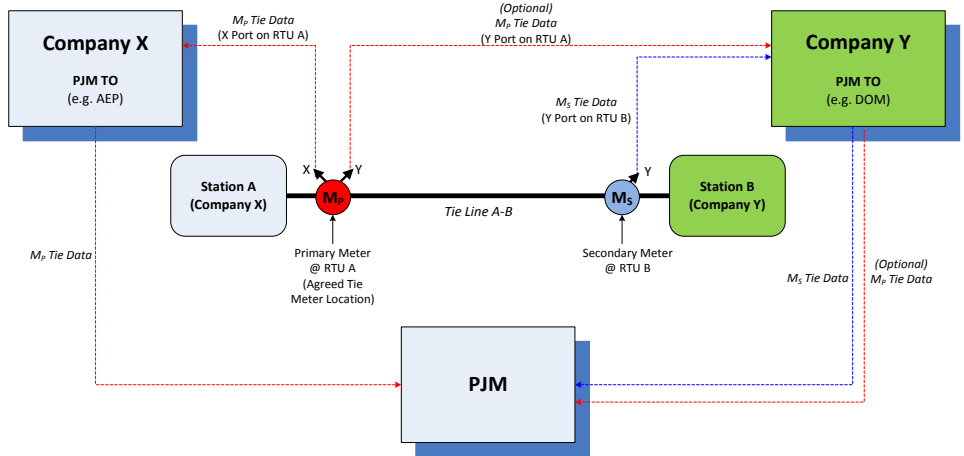
Formatted: Normal, Border: Bottom: (No border)

### External Tie Line Metering Pseudo Tie/Dynamic Schedule



**Exhibit 3**

### Internal Control Zone Tie Line Metering



**Exhibit 4**

Formatted: PJM\_Normal\_Indented, Border: Bottom: (No border)

Formatted: Normal, Border: Bottom: (No border)

Formatted: PJM\_Normal\_Indented

Formatted: PJM\_Normal, Border: Bottom: (No border)

### External Tie Line Metering Transformer Tie

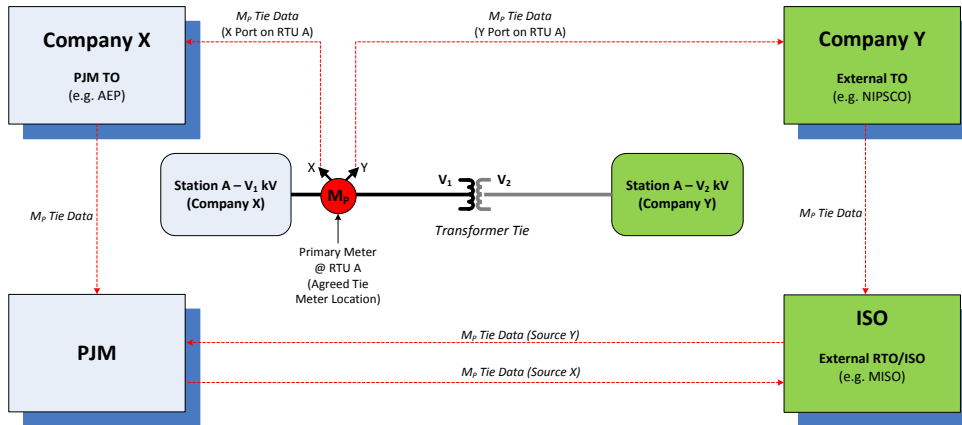


Exhibit 5

Formatted: Normal, Border: Bottom: (No border)

Formatted: PJM\_Normal\_Indented

Formatted: PJM\_Normal, Border: Bottom: (No border)



## Revision History

Formatted: Border: Bottom: (Single solid line, Auto, 1.5 pt Line width)

### **Revision 32 (03/31/2016):**

- [Updated references to GMS, Generation Management System, to VBUCC, Virtual Backup Control Center](#)
- [Updated references to Test System or Test Environment to Stage System or Stage Environment as appropriate.](#)
- [Section 1.2 changed from a description of GMS to a description of VBUCC.](#)
- [Standardized all references to “PJMNET” or “PJMNet” to “PJMnet”.](#)
- [2.3.1, removed reference to manual failovers.](#)
- [2.3.6, removed references to the PJM ICCP Network Interface Control Document, PJM ICCP Communications Workbook and PJM ICCP NICD and Workbook.](#)
- [2.5.6, spelling and typo fixes.](#)
- [3.2.2, removed mention of PJM support for ICCP block 4 messages, which are not presently supported.](#)
- [3.2.2, removed references to the PJM ICCP Network Interface Control Document, PJM ICCP Communications Workbook and PJM ICCP NICD and Workbook.](#)
- [3.2.3, removed reference to accumulated energy values as an EMS Data Exchange.](#)
- [3.2.4, updated reference to frame relay with MPLS networking technology. Removed dated reference to PVC’s. Replaced requirement to return “Welcome Letter” with kickoff conference.](#)
- [Attachment C: Notification of Member Company System Outages deleted – content updated and migrated under Section 3.8.](#)
- [Attachment D: PJM EMS Networking Rapid Response Team deleted – content updated and migrated under Section 3.8.](#)
- [Attachment C: PJMnet ICCP Failover Tests added.](#)
- [Section 3.8, Planning, Coordination and Notification of System Changes and Events added.](#)
- [Section 3.8.1, Regular Planned Member Company System Outages added.](#)
- [Section 3.8.2, Emergency and Unscheduled System Outages added.](#)
- [Section 3.8.3, Communication of Major System Changes and Events added.](#)
- [Section 3.8.4, Outage Tracking added.](#)
- [Administrative Change – updated references for eFTR to FTRCenter.](#)

### **Revision 31 (11/18/2015):**

- All references to “eMkt” or “eMarket” replaced with “Markets Gateway” consistent with new branding of new market application.
- Section 2.4, two requirements added to list for voice communications.
- Section 4, Interpersonal Communication introductory paragraph added, and introduction of “Interpersonal Communication” as term for voice communications consistent with NERC terminology.

Formatted: Indent: Left: 0.75”, No bullets or numbering

- Section 4.2., new section called Alternative Interpersonal Communication Capability added, with Satellite Telephones as main method.
- Business Voice System and Cellular Telephones put under new section 4.3 Additional Methods.
- Section 4.4, new section and requirements regarding requirements during failure of communication capabilities.
- Section 3.1, removed reference to floppy disks.
- Periodic Review

**Revision 30 (07/29/2015):**

- Replaced references to retired Manual 4 in sections 1.8, 2.2, and 3.4 with the OASIS User Guide.
- Changed email address for phasor outages in section 3.3.2 Synchrophasor Data Exchange
- Added ICCP Object ID requirements to Section 5.3.5 Tie Line Telemetry Specification and Requirements
- Added monitoring of LTC tap setting in Section 3.6 Real-Time Analysis Monitoring Requirements for System Security
- Removed requirement for Status Data, Transformer Fixed Tap Settings (No-Load), in Section 3.6 Real-Time Analysis Monitoring Requirements for System Security.
- Added an entry for TO GeoMagnetic Disturbance (GMD) data submittal to the table in Appendix B: Schedule of Data Submittals.

**Revision 29 (12/18/2014):**

- Added additional language and links to the bottom of Section 3.2.4 “PJMnet Communications System”

**Revision 28 (11/07/2014):**

- Added new Section 4.3 on PJM Communication Protocol in accordance with COM-002-4

**Revision 27 (06/26/2014):**

- Section 1, Add PJM Synchrophasor System to the list of PJM systems.
- Section 1.3, Definition of PJM Synchrophasor System.
- Section 2.2, Add PJM Synchrophasor data exchange to the list of PJM member data exchange service.
- Section 3.3, New section of PJM Synchrophasor System data exchange requirement
- Section 3.2.4. Added clarification for PJMnet connections for TO’s. Also referenced availability requirements in Manual 14d.





**Revision 26 (04/11/2014):**

- Two of the eSuite Applications have been renamed. Moving forward ESS will be known as ExSchedule and eMTR will be known as Power Meter.

**Revision 25 (09/26/2013):**

- Major changes to Section 5.3.5 Tie Line Telemetry Specification to provide more detailed requirements for Tie Line Telemetry.
- Miscellaneous changes to support Section 5.3.5 (minor change to 5.3, deleted 5.3.7)
- Changed numbering for sections 5.5 through 5.7 to make them subsections under Section 5.4 Meter Accuracy Standards.
- Major changes to Attachment B to remove redundant text and streamline table. EOP-005-2 and EOP-008-1 requirements updated in the table.

**Revision 24 (08/01/2013):**

- Added Section on 2.5.7 - Disclosure of EMS Data to Transmission Owners
- 3.2.3 Modified to clarify if manual approach is impractical
- 4.2.4 Modified keypad selection
- Attachment A - added reference for PJM related applications to inputs and outputs; added additional items per member input

**Revision 23 (06/01/2013):**

- Revisions for Curtailment Service Provider (CSP) dispatch instruction two way web service communications. (Section 1.9)

**Revision 22 (2/28/2013):**

- Administrative Change: Updated all references of "eSchedules" to "InSchedules"

**Revision 21 (04/26/2012):**

- Removed references to BUCC throughout the Man.
- Section 1 – Added eLRS, SCED, and removed UDS and HIS due to AC2 Implementation
- Added CFE (Communications Front End)
- HIS is still in the AC2 EMS, but it will not be used due to PJM's preference to PI for visualizations.
- Modes of Operation Options listed
- EMS Support Systems Listed
- 1.1 Changes due to BUCC Elimination and AC2 Implementation
- 1.2 Removed SCADA, added GMS
- 1.3 Data Historian replaced with PI due to AC2 implementation
- 1.9 Added eLRS
- 2.2 Added ref for Planning section



- 2.3.1 Clarified unknown state to match Man 3.
- 2.5.1 Removed reference to Coal Pollution
- 2.5.6 Removed references to BUCC and added AC1 and AC2
- Clarified Gen Owners design (removed “multiple” and added AC1, AC2, Man, and GMS)
- 2.7 Added PJM requirement to monitor system during transition to B/U facility
- 3.2.1 Changed Frame Relay to MPLS
- 3.2.4 Added MPLS and removed ref to Back Up
- 3.3.2 Added MPLS
- 3.4 AC2 Clarity for “Backup”
- 4.2.3 Removed references to Customer Relations Dept.
- 5.5 Changed para ref for Billing Meters
- 5.8.3 Replaced UDS with SCED
- Attch “B” – Added EOP 008 R1.5 to Table,
- Attch “B” – Changed ref for TO Backup Capability Plan
- Attch “C” – Clarified RTU outage reporting (24 hrs to 1 day for consistency)

**Revision 20 (03/15/2011):**

- 2.3.1 – Added 30 minute time limit to notification.
- 2.5.6 – Added Member TO training responsibilities and EMS configuration changes
- 5.8.1 – Added requirement for BA annual check of Fqcy and Time Error meters
- Attch B – Added months for submittals and changed Ref’s for Tie Line meter checks. Reference cleanup.
- 3.5 – corrected typo for acquisition frequency
- 5.7 – added clarity to percentages
- Changed “Self Certification” to Submittals Attch “B”
- Added Table to Attch “B”

**Revision 19 (03/15/2011):**

- Sections 1 & 2 – Updated references to Manuals
- 2.3.1 – Clarified member TO requirements for security analysis capability
- 2.4 – Clarified 3 part communication
- 2.7 – Clarified back up capability
- 4.2.4 – Clarified 3 part communication
- 5.8.1 – Updated references to Manuals
- Attch A, H2 – Removed MAAC



- Atch C5 – Clarified process.

**Revision 18 (01/24/2011):**

- Added reference to Manual 40 in section 2.6
- Revision to 2.7 – changed 2 hours to 1 hour (EOP-008)
- Revisions to 4.2.4 for 3 part communications

**Revision 17 (01/01/2010)**

- Corrected section 2.7 from PJM EMS to transmission owner EMS and clarified timing requirement – within 2 hours
- Updated Section 3.2.3 changing 500 kV to 345 kV
- Updated language in section 4.2.4 to include a PJM definition of Directives
- Updated section 5.3.3 – generators (less than 500 kV) can be metered from high side or low side of GSU.
- Updated tables in Attachment A
- Added Attachment C – notification for system outages affecting telecommunications to include EMS and State Estimator outages.

*Correction made January 4, 2010 to fix subsection numbering in section 4.2 and the table of contents.*

**Revision 16 (10/05/2009)**

- Removed Attachment B – Nuclear Protocols – will be contained in M39 to be published 10/1/09
- Added Attachment B – Annual Data Submissions for Transmission Owners
- Added Section 2.7 – Backup Capability Requirements for Transmission Owners
- Updated language in Section 4.2.3 for 3 part communications and use of the term “directives”

**Revision 15 (06/01/2009)**

- PJM has conducted the 2009 annual review and update based on this effective date

**Revision 14 (05/09/2008)**

- 3 part communications guidance
- Annual review and update of complete manual for 2008.

**Revision 13 (05/15/07)**

**Section 2: Control Center Requirements**

Moved Training and Certification requirements to new Manual M40 Certification and Training Requirements.

**Section 3: Communications & Data Exchange Requirements**

- Provided language related to data communication outages and reporting.



- Provided additional clarity regarding satellite phone requirements.

**Attachment C: PJM System Operator Training Requirements**

Moved to new Manual M40 Certification and Training Requirements

**Attachment D: Continuing Education Hour (CEH) Tracking Process**

Moved to new Manual M40 Certification and Training Requirements.

Introduction trimmed to eliminate redundant information.

List of PJM Manuals exhibit removed, with directions given to PJM Web site where all the manuals can be found.

Section 4: Meter Accuracy Standards permanently moved to the end of the manual.

**Revision 12 (09/13/06)**

Section 2: Control Center Requirements

- Provided additional clarity regarding “Backup Recovery Procedures.”

Attachment C: PJM System Operator Training Requirements

- Added more details to compliance monitoring, levels and process for noncompliance.

Attachment D: Continuing Education Hour (CEH) Tracking Process

- Made revisions to reporting forms.

**Revision 11 (06/19/06)**

Attachment C: PJM System Operator Training Requirements

- Added Training Requirements for Demand Resources providing Ancillary Services.
- Deleted obsolete paragraph on page 79 regarding certification of incumbent system operators.

Section 1 (PJM Systems), Page 8: Removed word “analog”.

**Revision 10 (02/07/06)**

Added Attachment D: Continuing Education Hour (CEH) Tracking

Added provision to maintain PJM System Operator Certification through CEH’s to Attachment C.

Miscellaneous minor revisions to correct current naming of Member Training offerings, and references to NERC policies.

Revisions were made on the following pages: 20-22, 27, 39, 54, 57, 62, 69, 80-83, 86-89, 91 and 102-118.

**Revision 09 (9/01/05)**

Added Attachment C: PJM System Operator Training Requirements.

Added Nuclear Power Plant voltage notification.

**Revision 08 (1/01/05)**



Miscellaneous member comments and reflect the retirement of the Back Up Analog Control System.

**Revision 07 (5/15/04)**

Miscellaneous member comments, not incorporated in Revision 6

Updated PJM List of Manuals

**Revision 06 (3/31/04)**

Added descriptions of the Generation Management System (GMS), the Process Control Test (PCT) System, the Back-Up Control Center () System, the PJM SCADA System, the OSI PI Data Historian System and clarified member obligations for ICCP communications including data integrity requirements and transmission monitoring requirements.

**Revision 05 (12/31/03)**

Added Attachment B: Nuclear Plant Communications Protocol, December 17, 2003

**Revision 04 (05/01/03)**

Revised Section 3: Communications & Data Exchange Requirements. Updated to include satellite phone requirements for generation operator control centers.

**Revision 03 (04/04/03)**

Complete revision of manual to reflect PJM Standards and Systems.

**Revision 02 (12/31/00)**

Removed Attachment A: Definitions and Abbreviations. Attachment A is being developed into a 'new' PJM Manual for [Definitions and Acronyms \(M35\)](#).

**Revision 01 (04/01/98)**

Attachment B: Information Access Matrix

*Exhibit B.7: Grid Accounting Services revised to change "Market Clearing Price" to "Locational Marginal Price."*

**Revision 00 (07/30/97)**

This revision is the preliminary draft of the PJM Manual for *Control Center Requirements*.