

Substation Subgroup Members: Please update the sections below you volunteered to review using the track changes option or highlight your changes. Once done, email your updated document to Scott Herb (SEHerb@pplweb.com) and Ron Wellman (rjwellman@aep.com).

- INTRODUCTION
- General Design Criteria - Scott
 - (include charts from Section 2 of TSS)
- Functional Criteria - Dan
 - (from TSS section 3)
- Accessibility and Layout - Dan
 - (from TSS section 3)
- Above Grade Physical - Scott
 - Design
 - Construction
- Lightning - Marty
 - Insulation Coordination
 - Design
 - Construction
- AC Station Service - Ron
 - Design
 - Type, quality, quantity
 - Construction
- DC Station Service - DC
 - Design
 - Type, quality, quantity
 - Construction
- Grounding - Ron
 - Design
 - Below grade
 - Above grade

- Construction
- Raceways - Scott
 - Design
 - Below grade
 - Above grade
 - Construction
- Control House - Nick
 - Design
 - Construction
- Security
 - Fence
 - NERC
 - Signage
- Major Equipment
 - Transformers
 - Circuit Breakers
 - Circuit Switchers
 - Manual and Motor Operated Disconnect Switches
 - Shunt Capacitors
 - Instrument Transformers
 - Line Traps
 - Arresters
 - SVCs (future)
 - GIS (future)
 - DC Inverters (future)
- Civil
 - Location
 - Grading
 - Drainage
 - Erosion (EDS)
 - Roadways
 - Spill Prevention
- Structural - Dave

- Foundations
- Structures

INTRODUCTION:

The PJM Designated Entity Design Standards Task Force (DEDSTF) were formalized by PJM to conform in part to FERC Order 1000. They are intended to apply to facilities proposed/requested in accordance with the process defined in the Open Access Transmission Tariff (“OATT”). They are intended to provide common PJM transmission provider criteria concerning design philosophy, design requirements and operating practices for Transmission Facility Owners. These requirements are intended to be the minimum to which any entity must design and built to in the PJM territory. Transmission Owners (“TO’s”) traditionally have additional technical interconnection requirements that may be greater than the requirements outlined below. The transmission Technical Interconnection Requirements must be considered throughout the process.

The user of these Technical Requirements must review all PJM criteria and documents referenced throughout these sections to ensure proper detail and knowledge of the requirements is considered. Also noting that these standards must comply with all PJM Transmission, Substation and Protection and Control Standards as indicated. While this document describes details, criteria and philosophy, it is also understood that all **other applicable requirements of other standards** shall be followed at a minimum, including, but not limited to IEEE, FERC, NERC, NESC, NFPA, IBC, ect.

GENERAL DESIGN CRITERIA:

These design criteria have been established to assure acceptable reliability of the Bulk transmission system facilities. These set forth the service conditions, and establish insulation levels for lines and substations, and short circuit levels for substation equipment. Specific component requirements are listed in their own sections (in addition to NESC the IEC 61936 provides a solid reference).

Environmental Conditions:

Ambient Temperature	-30(-40)°C to +40°C (-40°C minimum required N and W of Blue Mountain)
Wind	- ASCE MOP 113 - NESC - ASCE MOP 74

Ice	- ASCE MOP 113 - NESC - ASCE MOP 74
Seismic Load	- ASCE MOP 113 seismic map for site specific requirements, Site Specific Soil Class. - Equipment qualification per IEEE 693
Line Load	- NESC - ASCE MOP 74
Flood Plain	Structure ground line above 100yr flood where

765 kV Substations Electrical

Line Terminal and Equipment Continuous 3 second current (short circuit)	4,000A minimum, but designed to application
Nominal/ Max Operating Voltage	50kA minimum, but designed to application
Lightning Impulse Withstand Voltage w/o line entrance	765kV / 800kV
Lightning Impulse Withstand Voltage with line entrance arresters	2255kV
Switching Impulse withstand level (20)	2050kV
Typical Surge Arrester	1700kV
Circuit Breaker line closing switching surge factor	Size based upon Insulation Coordination
System Grounding	2.2 depending on Switching Surge Studies
	Effectively Grounded Neutral (always)

500kV Substations Electrical

Line Terminal and Equipment Continuous 3 second current (short circuit)	3,000A minimum, but designed to application
Nominal/ Max Operating Voltage	40kA minimum, but designed to application
Lightning Impulse Withstand Voltage w/o line entrance arresters	500kV / 550kV
Lightning Impulse Withstand Voltage with line entrance arresters	1,800 kV
Switching Impulse withstand level (20)	1550 kV
Typical Surge Arrester	1050 kV
Circuit Breaker line closing switching surge factor	Size based upon Insulation Coordination
System Grounding	2.2 depending on Switching Surge Studies
	Effectively Grounded Neutral (always)

345kV Substations Electrical

Line Terminal and Equipment Continuous 3 second current (short circuit)	2,000A minimum, but designed to application
	40kA minimum, but designed to application

Nominal/ Max Operating Voltage	345kV / 362kV
Lightning Impulse Withstand Voltage w/o line entrance	1300 kV
Lightning Impulse Withstand Voltage With line entrance arresters	1050 kV
Switching Impulse withstand level (20)	750kV
Typical Surge Arrester	Size based upon Insulation Coordination
Circuit Breaker line closing switching surge factor	2.2 depending on Switching Surge Studies
System Grounding	Effectively Grounded Neutral (always)

230kV Substation Electrical

Line Terminal & Equipment Continuous 3 second short circuit current	2,000A minimum, but designed to application 40kA minimum, but designed to application
Nominal/ Max Operating Voltage	230kV / 242kV
Lightning Impulse Withstand Voltage	900kV BIL
Typical Surge Arrester	Size based upon Insulation Coordination
System Grounding	Effectively Grounded Neutral (always)

138kV Substation Electrical

Line Terminal & Equipment Continuous 3 second short circuit current	2,000A minimum, but designed to application 40kA minimum, but designed to application
Nominal/ Max Operating Voltage	138kV / 145kV
Lightning Impulse Withstand Voltage	650 kV BIL
Typical Surge Arrester	Size based upon Insulation Coordination
System Grounding	Effectively Grounded Neutral (always)

115kV Substation Electrical

Line Terminal & Equipment Continuous 3 second short circuit current	2,000A minimum, but designed to application 40kA minimum, but designed to application
Operating Voltage (Transformer must accommodate this range)	115kV / 121kV
Lightning Impulse Withstand Voltage	550 kV BIL
Typical Surge Arrester	Size based upon Insulation Coordination
System Grounding	Effectively Grounded Neutral (always)

69kV Substation Electrical

Line Terminal & Equipment Continuous	2,000A minimum, but designed to application
3 second short circuit current	40kA minimum, but designed to application
Operating Voltage (Transformer must accommodate this range)	69kV / 72.5kV
Lightning Impulse Withstand Voltage	350 kV BIL
Typical Surge Arrester	Size based upon Insulation Coordination
System Grounding	Effectively Grounded Neutral (always)

FUNCTIONAL CRITERIA:

When evaluating a proposed electrical interconnection the designated entity should consider physical as well as electrical characteristics. This can be done to a certain degree by evaluating the arrangement using the following criteria:

1. The clearing of failed Transmission Owner facility equipment, should not adversely affect any other TO's facilities. This generally means that there could be one or more intertie breakers. While this breaker need not be located at the POI, it should be the first element in the adjacent stations. No load, circuits, transformers, or other elements shall be tapped off the interconnection facility prior to its isolation.
2. The arrangement of circuits and breaker bays should be such that a stuck breaker operation will not trip two circuits on the same double circuit tower line.
3. Multiple ties should be provided between buses for all conditions, including situations where at least one transmission line or station breaker is out of service for maintenance.
4. Every attempt should be made to lay out stations such that a transmission conductor, towers/ poles, or a static wire that drops within the switchyard area should not cause another transmission circuit to trip. This means that line crossings within the switchyard fence should be avoided and there should be adequate spacing between bays to minimize the possibility of a falling wire contacting another line's phase conductor. If this cannot be accomplished the configuration should be evaluated to assure no unacceptable conditions could result from the postulated failure.
5. Electrical equipment within the station must be adequately spaced to:
 - Facilitate equipment replacement
 - Facilitate maintenance activities and associated maintenance equipment
 - Minimize the likelihood that catastrophic failure of an item of equipment will adversely impact adjacent equipment.
 - Minimize possibility of total station outage

6. Consideration should be given to the distribution of supply and load connection within the station. The connection of circuits and transformers into the station should be arranged to balance flows throughout the station bus. This can be accomplished by alternating the connection of elements anticipated to inject flow with those anticipated to supply load from the station. The objective is to balance flows in the station to reduce bus loading.
7. There will be no customer load served, except for station service, from the transformer's tertiary.
8. In addition to these criteria the following factors must be reviewed and weighed appropriately in performing the assessment of a substation configuration:
 - Operational complexity and flexibility
 - Reliability for the load
 - Reliability for transmission lines and equipment
 - Component reliability
 - Generator interface
 - Line Maintenance
 - NERC, MAAC requirements/criteria
 - Expandability/Adaptability
 - Safety
 - Changes in technology
 - Cost (capital and O&M)
 - Availability of spare equipment
 - CIP / Security

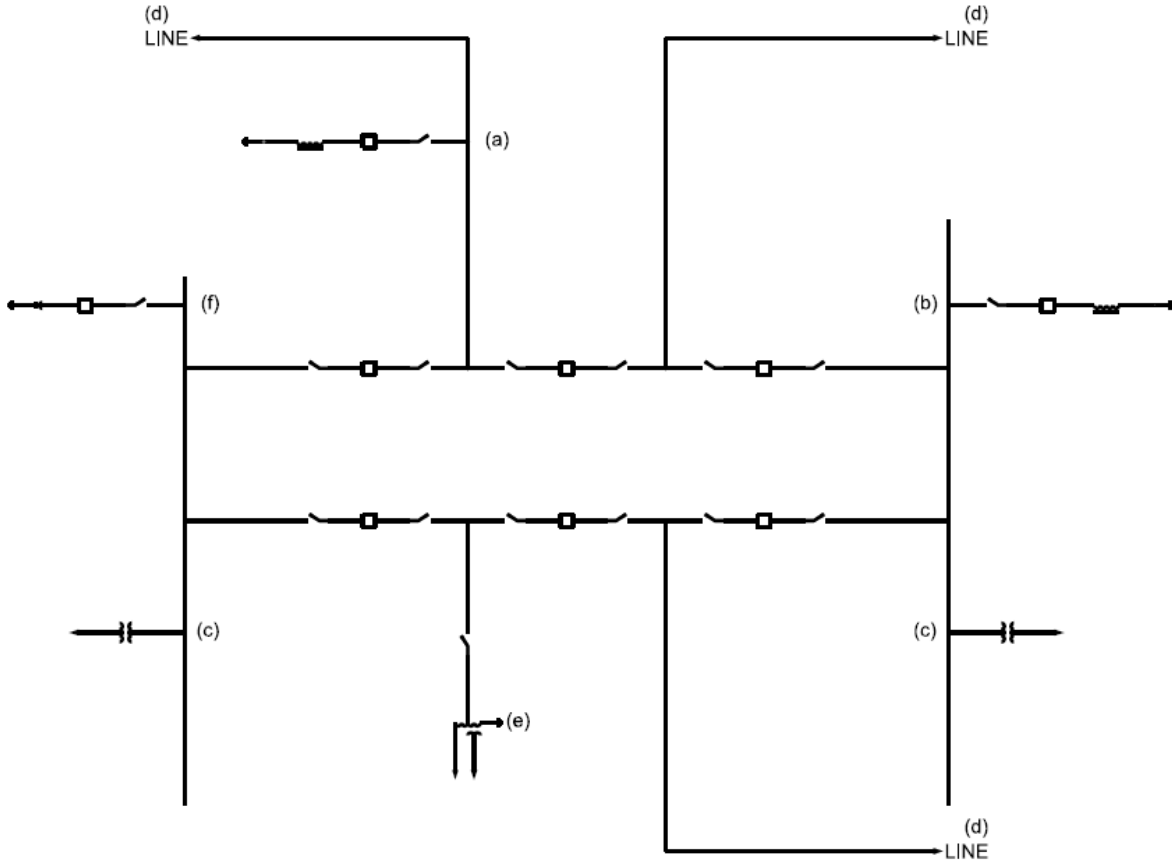
Bus Configuration

Stations may have the options for future expansion capabilities for future growth and expansion (e.g., converting ring bus to a breaker and a half as terminals are added). If the solution/ design include future expansion capabilities, the expansion should be outlined for potential evaluation.

For the bus configuration, an element is classified as a line, or an equipment connection including transformers and devices providing reactive support (capacitor, shunt reactor, SVC, or other FACTS devices), which have a direct connection to the bus. The following equipment are not considered elements:

- Shunt reactor connected to line
- Series reactor
- Series capacitor
- Station service voltage transformer (SSVT)
- Instrument transformer

Every element shall have a form of high side protection device with fault clearing capabilities. The failure or maintenance of an element cannot remove a transmission line from service for any time increment. Refer to Figure 1 for a depiction of elements and non-elements on a One-Line diagram.



(a) Shunt reactor connected to line (Not an Element)

*Note: Required only for peculiar applications
with open end line voltage*

(b) Shunt reactor connected to bus (Element)

(c) Station service voltage transformer (Not an Element)

(d) Line (Element)

(e) Power Transformer (Element)

(f) Shunt capacitor connected to bus (Element)

Figure 1 – One-Line diagram showing elements and non-elements

All elements inside the substation must include a fault clearing device to limit the exposure of failures to only the affected line/ equipment. Isolation or maintenance of an element should not affect the operation of another element.

The bus design and configuration must meet the PJM criteria in terms of stability, voltage, maintenance and N-1 conditions on the system.

Voltages less than 200kV must at a minimum meet the criteria outlined above in the bus configuration.

The following are required for facilities greater than 200kV, and is recommended but not required for facilities less than 200kV:

- 3 to 6 elements connected – requires a ring bus connection at a minimum
- 7 elements connected or more – requires a breaker and half design at a minimum

Deviations from the above minimum design criteria are acceptable if required to meet all NERC PJM, and Transmission Owner criteria without jeopardizing operating standards and reliability. As all of the above are minimums, each project design can be designed to higher reliability and operating standards based upon the specific project needs.

Three terminal lines are not permitted in the PJM footprint.

ACCESSABILITY AND LAYOUT:

Adequate space and firm vehicular surface must be provided on at least one side of each piece of major electrical equipment. Access is required to permit O&M vehicles, including bucket trucks and cranes, to access electrical equipment for any reason without requiring the de-energization of adjacent electrical equipment. The design must also accommodate minimum approach distances (MAD) as part of the layout and arrangement. In a breaker bay this access must be provided the full length of the bay and must not be encumbered by overhead electrical equipment or conductors. Appropriate stone or asphalt roadway must be provided. For indoor GIS equipment a bridge crane may be used in lieu of roadways as long as this approach provides a feasible means to conduct maintenance including the removal and replacement of all major equipment.

Electrical equipment must be arranged with adequate clearance for maintenance activities and for associated maintenance equipment, such that only the equipment to be maintained, including its isolating devices, needs to be operated and/or de-energized for the maintenance work to be performed. Depending on the criticality of the facility, Each Transmission lines and Transformer may need to be equipped with a switch to isolate it from the substation such that the station bay or ring bus can be re-energized during maintenance of that Transmission lines or Transformer.

Electrical equipment must be arranged with adequate clearances such that a catastrophic failure of equipment associated with one circuit is unlikely to adversely affect equipment associated with another circuit. The layout must accommodate considerations and requirements for fire protection separation distances and fire ratings must be suitable per IEEE 979 at a minimum for fire protection guidance.

A driveway must be provided around the perimeter of the station for vehicle movement. In addition, permanent driveways must be provided to transport all equipment in and out of the station. Each of these driveways must be adequate for the combined weight of the heaviest vehicles/equipment to be accessed. The station must be laid out such that the accessibility of all equipment is maintained in a manner that allows removal and replacement of all equipment throughout the life of the station.

Twenty-four hours, unobstructed access must be provided for the substation. Parking allowance for several vehicles must be provided adjacent to the relay/control house. The entrance gate must be double driveway width with the yard's safety grounding covering the open gate area.

The station should be suitably graded to facilitate water runoff and to direct spilled dielectric fluid away from other major electrical equipment and toward planned containment.

MAJOR EQUIPMENT:

All major equipment utilized inside the substation shall be specified, designed, built, and tested in accordance with the IEEE and ANSI standards that govern such equipment.

ABOVE GRADE PHYSICAL:

All design and working clearances shall meet the latest requirements of the NESC, IEEE and OSHA standards. Additional clearance consideration for safety should be considered in areas where foot and vehicular traffic may be. Phase spacing shall meet IEEE 1427 and NESC requirements at a minimum.

The physical design must accommodate any through fault condition that may be present. All switching and transient levels must be addressed in the design.

All primary electrical connections utilized in stations 200KV and above must use either a welded, compression, or swage type fittings. Bolted connections must be limited to connections made on equipment itself (bolting of connector to pads), or insulator support fittings. The system shall be designed per the latest IEEE 605 standard. All tubular bus work shall be designed and installed with the appropriate slip, fixed and expansion connections. All Extra High Voltage (EHV) connections 345kV and above must be corona free.

The physical layout and design must be conducted to ensure proper maintenance and access are accounted for in the design. The design must also allow for sufficient space to maintain OSHA minimum approach requirements, either with or without tools.

INSULATION COORDINATION AND LIGHTNING PROTECTION:

General Requirements

Insulation coordination is the coordination of electrical insulation levels with overvoltage protection. It includes subjects of Shielding from lightning, Application of surge arresters, Insulator contamination, Switching surge mitigation, and temporary overvoltage control. The nominal voltage ratings of the effectively grounded transmission systems are defined as part of this Minimum Basic Insulation Levels (BIL) standard in the General Design Criteria section. All insulation shall be capable of operating at these continuous voltages, and withstanding the transient over voltages allowed by the overvoltage protection. IEEE C62.82.1 “Standard for Insulation Coordination—Definitions, Principles and Rules”, and IEEE 1313.2 “Guide for the Application of Insulation Coordination” should be followed when selecting surge arrester ratings and station and equipment insulation levels.

Shielding from Direct Lightning Strokes

All facilities connected to the PJM system shall be shielded from direct lightning strokes to meet the design criteria in section II of these guides (verify where this will be located at). IEEE Standard 998 “IEEE Guide for Direct Lightning Stroke Shielding of Substations” should be used as guide in designing lightning shielding. Lightning Shielding may be accomplished through, masts, overhead ground wires, or other tall conducting structures. Static wires not connected to or associated with the incoming line terminations should avoid crossing over busses and other circuits.

Arresters shall provide a 20% minimum margin of protection as recommended in the standard IEEE C62.22. This allows for insulation aging and contamination and higher incoming surge magnitudes and faster rise times. It is recommend to maintain 20% margin for breakers, switches and voltage transformers and 50% margin on power transformers.

Arrester shall be applied with adequate pressure relief or fault current withstand rating, and adequate energy capability.

Insulation Coordination Studies.

An Insulation Coordination Study must be completed. Detailed studies including lightning traveling wave analysis, switching surge analysis, TOV analysis, Harmonic resonance, etc., may need to be conducted to balance the number and location of surge arresters with proposed insulation levels as required. EMTP and similar tools can be used in these studies.

Power Transformers will require surge arrester protection on all terminals. Additionally, line entrance arresters are required on all lines. Any frequently open position will be a positive reflection point for fast front transients and deserves special attention. Other non- self restoring devices such as underground cable and accessories and Gas Insulated Switchgear (GIS) shall be protected by a dedicated set of surge arresters.

Specification of Surge Arresters

All surge arresters shall meet or exceed the latest applicable ANSI, IEEE, NEMA, NESC and OSHA Standards.

Surge Arresters shall be designed with adequate electrical and mechanical characteristics for the specific electrical system on which it is installed and for the application for which it is intended. These include but shall not be limited to: Maximum Continuous Operating Voltage (MCOV), Rated duty cycle voltage, energy discharge capability, Temporary Overvoltage capability, and environmental conditions.

Energy discharge capability must be sufficient to survive line or capacitor bank discharge from at least one maximum energy restrike of any switching device in the substation.

Surge arresters shall be designed for an in service operating life, comparable to other electrical apparatus in the system to which it is applied.

Surge arresters, at a minimum, shall be designed to operate at ANSI required ambients of -30_C to +40_C (-22_F to +104_F). All surge arresters shall be designed to operate satisfactorily in the ambients required by their installed location. Some locations in PJM require -40_C capability.

Local environmental conditions should be considered when selecting leakage distances requirements for Surge arresters and other components.

Application and Special Considerations

Surge Arresters generally should be located as close as practical to the equipment they are primarily installed to protect. Both the lead length and the ground return length need to be kept as short and straight as possible.

For example, when possible, surge arresters protecting power transformers should be mounted on the transformer, and the grounded end solidly bonded to the nearest ground that grounds the transformer. Also, incoming transformer lead should be connected to the arrester BEFORE the transformer bushing.

AC STATION SERVICE:

1. There must be two AC sources such that a single contingency cannot de-energize both the primary and back-up station services. An automatic throw-over switch with an auxiliary contact for SCADA alarm is required to provide notification of loss of primary station service.
2. Loads are generally categorized by electrical size in determining the appropriate supply voltage. Typical voltages would be 480Y/277V, 208Y/120V, and 240/120V.
3. Distribution lines shall not be used as a primary source.
4. Station service transformers shall be protected by surge arresters.
5. Emergency generators may be required where black start capability is required.
6. Due to the large distances and auxiliary loads in 765kV and large EHV stations, multiple station service load centers may be required. The relay protective scheme must be selective and remove from service only the faulted station service transformer.
7. All station service transformers shall have high side overcurrent protection (via a fuse or a bus protection scheme if the transformer is tapped to the bus).
8. Transfer switches may be installed internal or external to their associated switchboards, however, if they are located externally, they shall be located adjacent to the switchboard to minimize the exposure of the single set of cables supplying the switchboard. For large electrical loads, such as a power transformer with oil pumps, dedicated transfer switches would be located at the power apparatus with primary and alternate power supplies. Electrical separation is required for this application and physical separation via separate cables at a minimum is required for the supplies routed to the switch.
9. All devices connected to the AC station service system must be capable of operating continuously and properly without malfunction or overheating in the voltage range specified by the designer of the system.
10. AC station service system components must be installed in accordance with manufacturer's instructions and applicable industry standards.
11. All AC primary and backup station service supplies shall be adequately monitored and alarmed, for all voltage levels and sources, to assure that improper operation and abnormal conditions are reported for immediate corrective action.
12. AC station service systems shall be physically arranged to facilitate safe and effective inspection and maintenance.
13. Critical transmission facilities shall be provided with emergency engine-generator sets sized to carry essential loads considering a reasonable diversity factor, when alternate reliable sources are not available. Essential loads are loads required to maintain normal operation of the station and the loads required to bring a station back online after a period of blackout. If not, facilities shall be available for prompt connection of emergency generation. Remoteness of the location, adversity of weather conditions, refueling cycles, etc. must be considered in determining required fuel capacity.

Requirements for AC Station Service

1. As a minimum requirement, AC station service systems and equipment shall be designed for the purpose intended and be specified to meet latest requirements of all applicable industry standards, including but not limited to ANSI, IEEE, NEMA, OSHA and NESC.
2. AC station service equipment is available in varying degrees of quality. Equipment installed in a transmission facility shall be designed to operate reliably during the design life of the facility. This requires quality products and specifications that reflect this need.
3. Main distribution panels located on the load side of the fused safety disconnect switch shall have breakers rather than fuses. **These breakers** shall be designed to coordinate with each other to ensure proper protection.
4. All electrical contact parts and conducting mechanical joints should be properly plated and prepared to insure joints that have low resistance for the equipment's expected life.
5. AC station service cables may be run in the same tray systems as other AC circuits 480 volts and below and with 125vdc control circuits. However, they are not to be commingled with low voltage digital signal circuits and/or analog signal circuits such as data network, Ethernet, ect.
6. AC circuits shall be adequately sized and designed to limit the total voltage drop to no more than 5% continuous and 10% momentary. Greater voltage drops may be acceptable as long as the analysis determines it will not affect the operation or reliability of the equipment.

STATIONARY BATTERIES AND CHARGERS:

1. Requirements for the battery design are to be incorporated on FERC based projects. These requirements are not required in projects required to support local distribution reliability and load as they are not governed by FERC. Stations 300kV and above whose configurations are designed to reinforce the flow of power on the transmission system, must follow the requirements outlined below.
2. Separate batteries for primary and back up protection are required. Each of these batteries must be fed by (1) independently supplied charger (each charger must have its own/ separate AC supply) at a minimum.
3. A single battery for all other requirements is acceptable. In this application, however, the battery must be supplied with two independently supplied chargers (each charger must have its own/ separate AC supply) at a minimum.
4. The battery system shall be sized in accordance with the latest version of IEEE 485 Recommended Practice for Sizing Lead-Acid Batteries for Stationary Applications or IEEE-1115 Recommended Practice for Sizing Nickel-Cadmium Batteries for Stationary Applications for a minimum duty cycle of no less than 8 hours with the most severe possible multiple breaker operation (usually bus differential operation) at the end of the cycle. It must be taken into consideration when sizing the battery the distance to the site in order to perform an emergency replacement. This distance may require a minimum duty cycle of more than 8 hours.

5. Correction factors shall be included in battery sizing calculations to account for temperature conditions, battery aging and potential load increases.
6. Provisions must be made to facilitate the replacement of a failed charger or battery bank without interruptions to the DC system.
7. The battery charger shall be able to supply the station DC power requirement and at the same time to bring the station battery to “fully charged” condition in less than 24 hours following a prolonged discharge period due to an AC power failure.

Requirements for Battery and Charger

1. As a minimum requirement, battery and charger systems must be designed for the purpose intended and shall be specified to meet the requirements of all latest applicable industry standards, including but not limited to ANSI, IEEE, NEMA, OSHA and NESC.
2. The charger shall be protected by automatic current limiting, and be self-protecting against transients and surge voltages, and be designed to prevent the battery from discharging back into the internal charger load.

Application and Installation for Battery and Charger

1. When multiple battery and charger systems are provided to supply multiple relay systems (referred to as primary and backup or system one and system two), the batteries and chargers, including all associated wiring, are to be kept physically and electrically separated to avoid a problem with one system affecting the other system.
2. Batteries shall be installed in facilities that assure that appropriate ambient temperatures are maintained and that the batteries are not exposed to direct sunlight.
3. Battery systems shall be installed in accordance with manufacturer’s instructions and applicable industry standards, with special attention given to cell handling and cell connections and protection.
4. Before a battery and charger system is placed in service, appropriate acceptance testing shall be conducted and appropriate data, such as cell voltage and specific gravity, shall be recorded for future use.
5. Batteries shall be physically arranged to facilitate safe and effective inspection and maintenance. This requires a 3ft. work area in front of the batteries for replacement and maintenance activities.

DC STATION SERVICE

Application and Installation of DC Station Service

1. DC station service system components shall be installed in accordance with manufacturer’s instructions and applicable industry standards.
2. All devices connected to the dc station service system shall be capable of operating continuously and properly without malfunction or overheating in the voltage range specified by the designer of the system.

3. The output cables from the battery to the first breaker or protective device in the main DC panel shall be kept as short as practical; shall be separately routed to reduce the possibility of a short circuit between the positive and negative cables; shall be installed in conduit for protection; and shall be sized in consideration of the available dc short-circuit current from the battery.
4. DC station service systems must be adequately monitored and alarmed to assure that improper operation and abnormal conditions are reported for immediate corrective action.
5. DC station service systems shall be physically arranged to facilitate safe and effective inspection and maintenance.

Requirements for DC Station Service

1. As a minimum requirement, DC station service systems and equipment shall be designed for the purpose intended and be specified to meet the requirements of all applicable industry standards, including but not limited to ANSI, IEEE and NEMA.
2. The typical nominal rating for this application is 125 VDC.
3. The DC system design must take into consideration the voltage drop between the battery and the load terminals. Under no circumstances should the voltage at each load terminal be less than the manufacturers' specifications. Age, cell failures, and good engineering judgment must also be considered when designing and shall be considered in the initial voltage level of the batteries.
4. The maximum load terminal voltage shall not exceed the product of (the number of cells in battery) times (the maximum defined cell voltage).

GROUNDING:

The station ground grid shall be designed in accordance with the latest version of IEEE Std. 80, Guide for Safety in AC Substation Grounding. The fault current calculations should include future improvements which would increase the fault current. It is recommended that the ground grid be designed for a fault current growth factor of 20%.

RACEWAYS:

Design Considerations:

- Design of the raceway and conduit system shall consider the anticipated station build out.
- Troughs shall be routed with sufficient clearance from oil filled equipment to minimize an oil fire in the trough.
- All outdoor raceway components shall be designed for the environment which they are installed in.
- "Primary" and "Backup" systems cannot be in the same cable.
- Long cable runs that parallel bus and transmission lines shall be avoided in the design of the trench system.

- All cables rated greater than 1kV shall not be installed in the same trench system as cables less than 1kV.
- All Conduits shall be installed to provide protection from vehicular and environmental conditions.
- Consideration of water flow must be considered when designing the conduit/ trench system to ensure excess water flow does not back up in the equipment, cabinets or control house.

Below Grade:

- Typically the outdoor main runs of the raceway/ conduit system is a surface mounted with its cover sitting flush with finished grade.. No direct buried cable shall be permitted.
- Proper drainage shall be included underneath the trench.
- Where vehicles will cross the conduits or trench system, suitable covers and design must be incorporated to protect the cables from the heaviest vehicles and equipment anticipated on crossing the roadway.
- Below grade conduits shall be used to complete the run from the main trench system to the equipment.
- No more than 360 degrees of bends should be installed in a conduit run.
- All metallic conduits shall be bonded directly or indirectly to the ground grid.

Above Grade:

- All cable trays and junction boxes shall be bonded directly or indirectly to the ground grid.
- Fiber shall be routed and protected either in its own separate tray, conduit, or other protective medium such as innerduct.
- All above grade outdoor conduit shall be suitable for the environment in which it is installed in.
- Vertical raceways on control building sidewall should be sized to accommodate the ultimate layout of the substation.
-

CONTROL HOUSE:

General Requirements

The enclosure shall be suitably designed and constructed to contain all substation control and instrument panels, relay panels, metering panels, AC lighting and power panels, Annunciator, DFR, SCADA equipment, DC station batteries, DC Power Panels, fire alarm panel, battery chargers, toilet facilities (when required), office furniture, HVAC equipment, and local required telecommunications. Consideration shall be given to either sizing the enclosure to accommodate the needs of the ultimate station development or to allow for the expansion for such accommodation.

Control Enclosure shall typically not be part of the Substation fence. In the event of a station located inside metropolitan areas, and the building does need to be part of the fence, the outside walls shall be designed accordingly.

All materials and equipment used in the control enclosure shall be noncombustible to the greatest extent practical.

Specification

The enclosure shall be designed and constructed in accordance with the latest revisions of all applicable codes including but not limited to:

- ACI – American Concrete Institute
- AISC – American Institute of Steel Construction
- AISI – American Iron and Steel Institute
- ANSI – American National Standards Institute
- ASCE – American Society of Civil Engineers
- ASTM – American Society for Testing and Material
- AWS – American Welding Society
- IBC – International Building Code
 - International Plumbing Code
 - International Energy Code
 - International Mechanical Code
 - International Fire Code
- IEEE – Institute of Electrical and Electronics Engineers
- MBMA – Metal Building Manufacturers Association
- NESC – National Electrical Safety Code (IEEE C2)
- NEC – National Electric Code
- NFPA – National Fire Protection Association
- All applicable state and local building codes and requirements.
- Wind and ice loading criteria as found in the structural section of this document

Structural, Architectural, and Mechanical Requirements

The enclosure shall be as specified below:

1. The enclosure is not intended to be used as a shop.
2. The enclosure is not intended to be used as a storage location for spare parts.
3. The enclosure is not intended to be used for equipment assembly.

Enclosure design loads shall include live, snow, wind, seismic, and dead loads. In addition, enclosure must be designed to carry the auxiliary static loading from interior cable tray systems and air handling ductwork, and additional electrical equipment such as lighting, battery chargers, power panels etc. The floor space supporting the supplied loads need to be braced to handle the weight associated with those loads.

Falling ice: Exterior of control enclosure shall be designed to resist damage by hail and falling ice from adjacent structures or overhangs.

Doors:

1. Typically, two exits with panic bar and door holder mechanism will be required. It is recommended that one exit be a double door and the second exit be a single personnel door. The doors need to be sized and configured to allow delivery of relay panels and other large equipment deliveries. A roll up garage door is acceptable in lieu of double doors.
2. Weather stripping shall be included around all edges.
3. Means for locking and securing all doors shall be included.

Enclosure ceiling, floors and walls shall be insulated. Vapor barriers shall be provided.

Gutters, downspouts, and splash block diffusers shall be considered.

Separate physical cable entrances shall be provided for each AC station service primary and back-up feed. Control cable entrances shall be sealed off to prohibit rodents from entering.

Heating, Cooling, and Ventilation

The enclosure shall be equipped with sufficient heating, cooling, and ventilation equipment to provide acceptable ambient temperatures within the enclosure so as not to impact the operation and life expectancy of the control equipment within.

Automatic temperature control equipment shall be installed. Microprocessor relay and control equipment and the control battery manufacturers should be consulted to establish proper ranges of operation.

Adequate ventilation shall be provided to prevent the accumulation of hydrogen gasses resulting from battery operation. Forced ventilation shall be used when required.

Illumination

See Table 111-1 of the National Electrical Safety Code for minimum illumination levels.

Emergency lighting shall be provided. Automatic initiation may be required. Illumination levels must meet the minimum requirements specified by the National Electrical Safety Code for egress.

Exterior lighting at doorways shall be provided to effect safe access to the enclosure.

Exit signage and emergency lights shall be provided in accordance with local codes.

Grounding

Structural enclosure steel, raceways, relay and control panels, AC and DC distribution panels (not the DC control voltage itself) shall be bonded to the station ground grid in accordance with the NESC.

Each control and relay panel shall be equipped with a ground bus to which instrument transformer secondary circuits or other equipment such as relay case grounds can be grounded.

Cable tray system shall be grounded and adequately bonded without creating a loop for circulating current.

Application and Special Considerations

RACEWAYS

Control cables are to be installed in overhead cable tray raceway, or under the floor if a raised computer floor is used, or in under floor cable troughs. Raceways are to be suspended from enclosure ceiling or walls as required. Cable tray shall be aluminum or galvanized steel construction and be sized adequately for anticipated cable loads. Vertical cable risers shall be provided to physically protect its associated cables (i.e. vertical ladder tray, marshalling cabinets, ect).

Nonmetallic jacketed cables below 7 feet above the floor level not in ladder tray or otherwise suitably protected shall be enclosed in conduit.

WORKING SPACE

A minimum of 3 feet working clearance shall be provided in front of all panels/batteries and 3 feet in back of panels where rear connected equipment access is required. See NESC Rule 125 for additional information.

SAFETY EQUIPMENT

Signage as required by NESC, OSHA, and other applicable organizations shall be provided. Signage is to be in accordance with ANSI Standards Z535.1, Z535.2, Z535.3, Z535.4, and Z535.5, latest revision.

Fire detection and extinguishing equipment shall be installed in accordance with all applicable national and local codes.

Face shields and eyewash stations, if installed, shall meet applicable OSHA requirements.

Provisions for containing acid spillage from the control battery shall be included in design of the facility.

METERING, SYSTEM PROTECTION, ANNUNCIATOR, DFR, SCADA, AND TELECOMMUNICATIONS

The local telecommunications provider shall be consulted for their requirements for space, access, conduit size and routing, working clearances, auxiliary power, grounding, and other aspects of the installation. Isolation equipment may be required to protect telephone equipment from voltage rises.

Free standing or rack mounted panels are acceptable.

Control panels and equipment shall be arranged in such a manner to allow for safe and reliable operation and maintenance activities of the substation.

STATION SECURITY:

Substations need to be designed to the requirements of the applicable NESC, IEEE, NERC and CIP publications.

STRUCTURAL:

Structural Design Loads

Structures, insulators, hardware, bus, and foundations shall be designed to withstand various load conditions based upon the NESC and when required the ASCE-7 code using the weather maps provided in the code. These loads will include various combinations of gravity, wind, ice, conductor tension, construction, maintenance, fault loads, and seismic loads (where applicable).

The magnitude of all weather and seismic related loads, except for NESC or other legislated loads, shall be determined **using risk category IV criteria as defined in ASCE- 7 “Minimum Design Loads for Buildings and Other Structures.”**

Structures and foundations shall be designed to the requirements of the applicable publications:

- ACI 318: Building Code Requirements for Structural Concrete and Commentary
- ACI 336.3R: Report on Design and Construction of Drilled Piers
- TMS 402/602 Building Code Requirements and Specifications for Masonry Structures
- ACI 543R: Guide to Design, Manufacture and Installation of Concrete Piles
- AISC 360: Specification for Structural Steel Buildings
- ASCE/SEI 7: Minimum Design Loads for Buildings and other Structures
- ASCE 10, Design of Latticed Steel Transmission Structures

- ASCE/SEI 48: Design of Steel Transmission Pole Structures
- ASCE 113: Substation Structure Design Guide
- ASCE Manual No. 104, Recommended Practice for Fiber-Reinforced Polymer Products for Overhead Utility Line Structures
- ASCE Manual No. 123, Pre stressed Concrete Transmission Pole Structures
- ANSI 05-1, Specifications and Dimensions for Wood Poles
- IEEE Std. 691, Guide for Transmission Structure Foundation Design and Testing
- IEEE Std. 751, Trial-Use Design Guide for Wood Transmission Structures

Dead-End Structures and Shield Wire Poles

Dead-end structures and shield wire poles shall be designed for the wind and conductor loading criteria, load combinations, and deflection criteria described in NESC C2 and ASCE 7. The following load cases shall be completed during the study, NESC Heavy, NESC Unfactored, Heavy Wind, Wind & Ice, Heavy Ice, and Extreme Cold to satisfy the requirements of the above stated standards. The design must be completed to ultimate strength design.

Equipment Structures and Shield Poles without Shield Wires

Substation structures shall have sufficient strength to resist all loads as defined in ASCE MOP 113, the NESC, and the load combinations defined below (including proper wind loads and orthogonal directions). The effects of gravity, wind, ice, wire tension, short circuit, seismic, construction & maintenance and operating loads shall be included as applicable.

The following load combinations apply to the substation equipment, equipment supports. The load combinations do not apply to buildings, lightning masts, fire walls, or transmission line dead-end and suspension structures. Structure design shall be ultimate strength using the methodology set forth in the ASCE 113 Guide for Design of Substation Structures (ASCE Guide), in addition to the following load combinations outlined below.

$$1.5 \times \text{Dead w/o Ice} + 1.6 \times \text{Concurrent Wind on iced Structure and Equipment} + 1.0 \times \text{Short Circuit Load} + 1.65 \times \text{Conductor Tension}$$

$$1.5 \times \text{Dead w/o Ice} + 1.6 \times \text{Extreme Wind on Bare Structure and Equipment} + 1.0 \times \text{Short Circuit Load} + 1.65 \times \text{Conductor Tension}$$

$$1.4 \times \text{Dead Load with Heavy Ice}$$

Deflection Calculation

$$1.0 \times \text{Dead w/o Ice} + 0.8 \times \text{Extreme Wind on Bare Structure and Equipment} + 1.0 \times \text{Conductor Tension}$$

$$1.0 \times \text{Dead w/ Ice} + 0.8 \times 0.75 \times \text{Concurrent Wind on Iced Structure and Iced Equipment} + 1.0 \times \text{Conductor Tension}$$

Earthquake

Per ASCE 113 – Yard/ Structures

Per ASCE 7 – Control Enclosure

- Site specific geotechnical investigation is required to determine site soil classification
- USGS Design Information per the USGS Seismic Design Maps

Rigid bus and bus supports

The following load combinations and load factors shall be used for evaluation of the indicated bus system components. In addition to the combinations shown, load cases shall also include any forces resulting from the thermal expansion of the bus due to current heating effects.

Typically the conditions of maximum icing do not usually occur simultaneously with maximum wind speed conditions. Therefore, two separate wind case loadings shall be considered. The full wind force shall be applied to the bus diameter when no ice is present. The concurrent wind speed shall be used in combination with ice. This reduced wind force is applied to the iced diameter of the bus.

An overload factor of 1.0 is considered sufficient for use with short circuit forces in these load combinations.

Load Combinations for Rigid-Bus Tubing & Equipment Terminal Pads

Per IEEE 605

The elastic limit stress shall be used for strength evaluation of the rigid-bus material when considering loading combinations without short circuit forces. When short circuit forces are included in the loading combination, the yield strength of the material shall be used for strength evaluation. Forces on switch terminal pads shall be limited to one-half the cantilever strength of the switch insulator, using these unfactored load combinations.

1.0 (Dead Weight) + 1.0 (Wind on Bare Surfaces) [Note: No ice loads]

1.0 (Dead Weight) + 1.0 (*" Radial Ice) + (*Wind on Iced Surfaces)

1.0 (Dead Weight) + 1.0 (Wind on Bare Surfaces) + 1.0 (Short Circuit)

1.0 (Dead Weight) + 1.0 (*" Radial Ice) + (*Wind on Iced Surfaces) + 1.0 (Short Circuit)

*Actual Ice and Wind load values to be determined based upon ASCE 113.

Load Combinations for Insulators

Insulator loads based on these loading combinations shall be compared with the minimum published cantilever and torsional strength ratings. When applicable, the combined effects of torsion and bending shall be evaluated.

$1.5 \times \text{Dead w/o Ice} + 1.6 \times \text{Concurrent Wind on iced Structure and Equipment} + 1.0 \times \text{Short Circuit Load} + 1.65 \times \text{Conductor Tension}$

$1.5 \times \text{Dead w/o Ice} + 1.6 \times \text{Extreme Wind on Bare Structure and Equipment} + 1.0 \times \text{Short Circuit Load} + 1.65 \times \text{Conductor Tension}$

$1.4 \times \text{Dead Load with Heavy Ice}$

Foundations

Foundation reactions shall be determined from the load cases and load combination defined above. Load Factors shall be a minimum of 1.0. *Unfactored loads shall be used for the foundation overturning and soil bearing design. Factored loads shall be used for the design of reinforced concrete per the requirements of ACI.*

Deflection of structures shall be limited such that equipment function or operation is not impaired, and that proper clearances are maintained.

A site-specific geotechnical study shall be the basis of the final foundation design parameters.

CIVIL

The substation shall be developed in accordance with all the federal, state, and local jurisdiction requirements. These requirements can consist of public safety, zoning, noise levels, poor drainage, wetlands, and aesthetic requirements. Site grading shall be completed to ensure excess runoff is accounted for in the design and ponding does not occur inside the substation. The grading design shall also consider the transition from substation ground pad to the existing grade. Stormwater management and erosion control shall be designed with reference to the state and local permitting requirements.

Containment facilities and/ or Spill Prevention Plan may be required for equipment or storage tanks that contain dielectric fluid or fuel.

Roadways shall be designed *in accordance with the requirements of the FHWA and AASHTO* for large truck and trailer deliveries. Consideration should be given to ease of ingress and egress. Minimum turning radii for equipment shall be considered in the design. Special consideration shall be considered for vehicular access related to transformer hauling equipment, which may include the use of enlarged turning radiuses. Consideration should also be given to access transmission structures located outside the fence within proximity to the substation yard.

