

Western SRRTEP Committee ComEd Supplemental Projects

July 24, 2019

Solutions

Stakeholders must submit any comments within 10 days of this meeting in order to provide time necessary to consider these comments prior to the next phase of the M-3 process



ComEd Transmission Zone: M-3 Process New Customer in Bradley Area

Need Number: COMED-2019-0003

Process Stage: Solutions Meeting 7/24/2019

Previously presented :

Need 3/25/2019

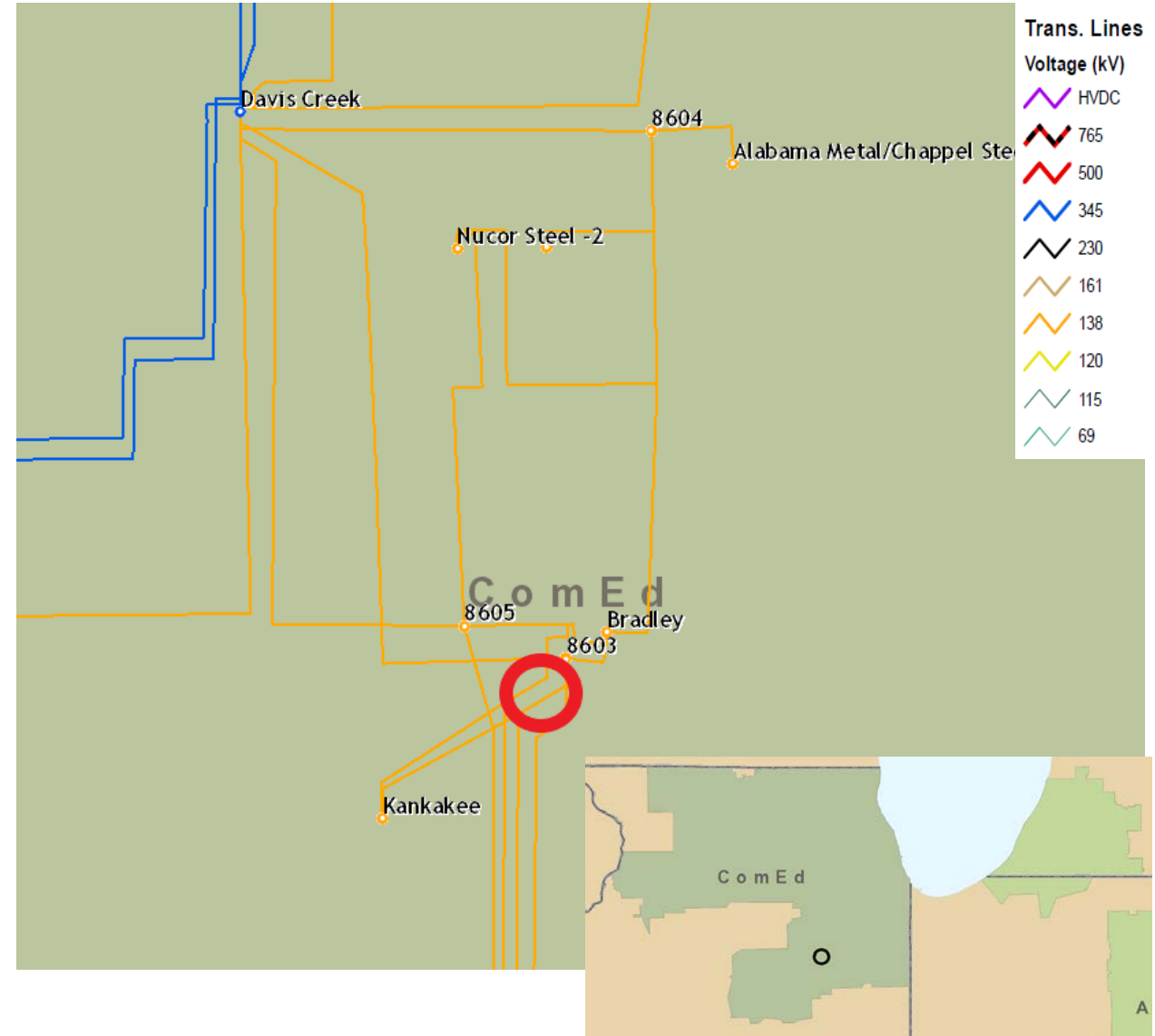
Project Driver: Customer Service, Infrastructure Resilience

Specific Assumption References:

- December 5, 2018 ComEd Annual Assumptions
 - New transmission customer interconnection

Problem Statement:

- New customer has requested new 138kV service in the Bradley area
 - 11 MW in 2020, up to 45 MW by 2024





ComEd Transmission Zone: M-3 Process New Customer in Bradley Area

Need Number: COMED-2019-0003

Process Stage: Solutions Meeting 7/24/2019

Proposed Solution:

Cut into existing 138 kV lines 8603 and 8605

Install double ring configuration substation

Install two 138-12 kV transformers

Estimated Cost: \$16M

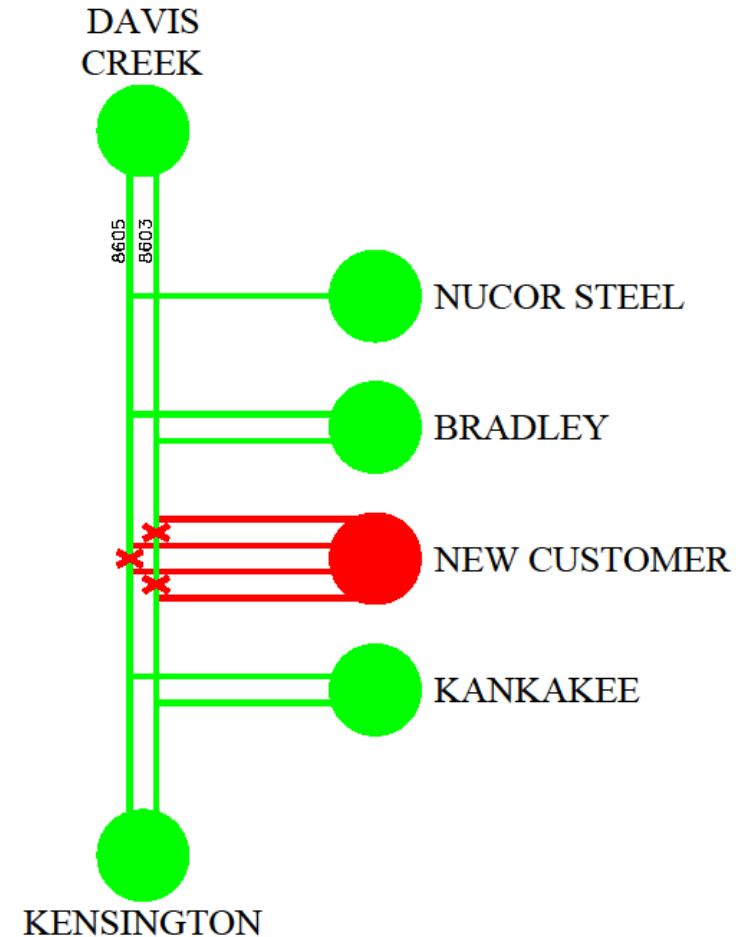
Alternatives Considered:

1. Dedicated Radial feeds from the Bradley substation \$26 M

Projected In-Service: 5/31/2021

Project Status: Engineering

Model: PJM 2023 RTEP



Appendix

High Level M-3 Meeting Schedule

Assumptions	Activity	Timing
	Posting of TO Assumptions Meeting information	20 days before Assumptions Meeting
	Stakeholder comments	10 days after Assumptions Meeting
Needs	Activity	Timing
	TOs and Stakeholders Post Needs Meeting slides	10 days before Needs Meeting
	Stakeholder comments	10 days after Needs Meeting
Solutions	Activity	Timing
	TOs and Stakeholders Post Solutions Meeting slides	10 days before Solutions Meeting
	Stakeholder comments	10 days after Solutions Meeting
Submission of Supplemental Projects & Local Plan	Activity	Timing
	Do No Harm (DNH) analysis for selected solution	Prior to posting selected solution
	Post selected solution(s)	Following completion of DNH analysis
	Stakeholder comments	10 days prior to Local Plan Submission for integration into RTEP
	Local Plan submitted to PJM for integration into RTEP	Following review and consideration of comments received after posting of selected solutions

Revision History

7/8/2019 – V1 – Original version posted to pjm.com