

Option 2: The alternate solution would still require a single MOC Generation System Operator (single operational contact) for manual real-time communications with PJM Dispatch, where the operational nature of the situation requires live verbal communications. ~~however, e~~Each owner/off taker of a jointly owned resource would still be able to interact directly with PJM Dispatch for market related matters, and with ~~eMkt~~Markets Gateway, providing day-ahead bids and hourly updates. The single operational contact would be responsible for ~~processing SCED basepoints,~~ all manual real-time communications with PJM Dispatch, as well as providing accurate outage information within eDART. PJM SCED would send individual basepoints to each owner/off-taker as well as sending an aggregate base point to the operational contact. Settlements will model individual owner/offtakers of a jointly owned resource. Examples of market communications that can be made by individual owner/offtakers of a jointly owned resource and examples of manual real-time communications, which must be made by a single operational contact, are set forth below in Exhibit 28. All parties that communicate with PJM Dispatch must meet the training and certification requirements outlined in Manual 40.

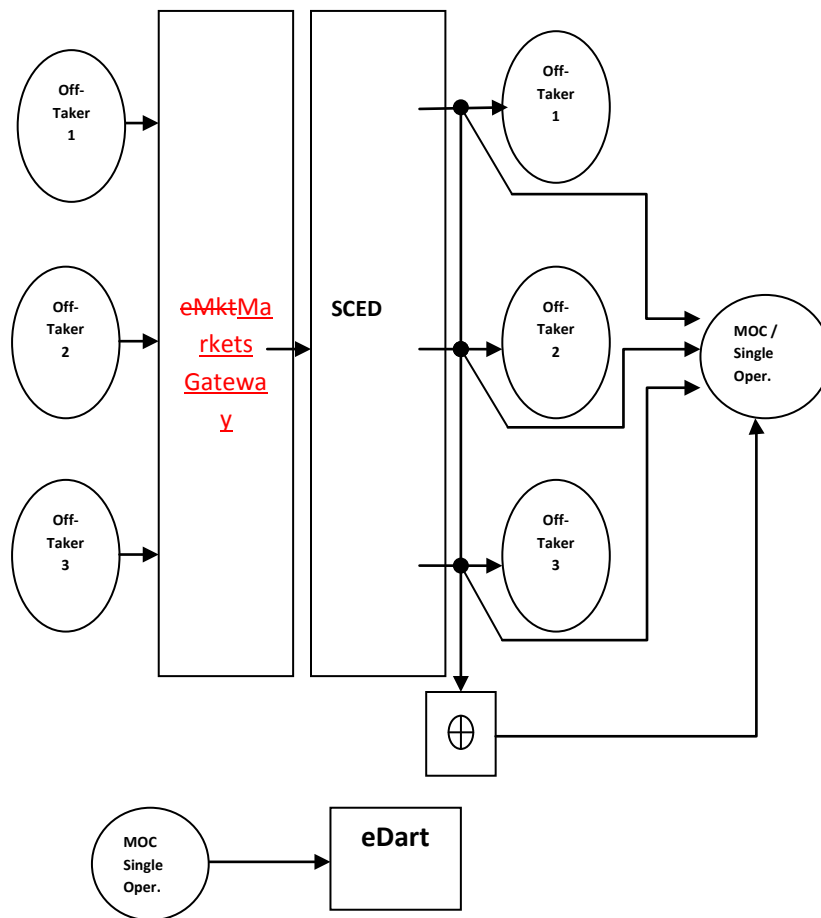


Exhibit 27: Joint Owned Resource Communication Model 2

<u>Markets Related Communications with Dispatch (Directed to each Market Operations Center)</u>	<u>Real-Time Communications with Dispatch (Directed to Single Operational Contact)</u>
<u>Scheduling of unit to run</u>	<u>Manual Dispatch (Congestion Management)</u>
<u>Questions about Market Bid information</u>	<u>Emergency Dispatch (Transmission Issues)</u>
<u>Extension of Day Ahead commitment</u>	<u>Loss of Communications</u>
<u>Self-Schedule Status</u>	<u>Unit Synchronizes to system / on line status</u>
<u>Unit is released from dispatch</u>	<u>Unit is ready to follow dispatch base points</u>
<u>Regulation</u> 1. <u>Assignments and status</u> 2. <u>Self-Scheduling</u> 3. <u>Testing</u>	<u>Unit Trips</u>
<u>Synchronous reserve assignments</u>	<u>Partial or Complete Outages (Loss of equipment) communicated via eDART</u>
	<u>Testing status (capacity/environmental)</u>

Exhibit 28: Guidelines for Markets and Real-Time Communications between Dispatch and Joint Owned Resource Owners.